

THE FOLLOWING UPDATES HAVE BEEN MADE TO THIS DOCUMENT:

Date	Description of Change
01/08/15	Discontinued the bundles of 8 pallet fork frames and pairs of teeth. Replaced with the bundles of 10 pallet fork frames and pairs of teeth.
2/27/15	Discontinued tree fork.
3/18/15	Added attachment approvals for S740 and S740H
3/18/15	Added alert for 7147900 wheel kit on 84" sweeper: (Not Recommended for use with the 7122418 Gutter Brush)
3/18/15	60" Soil Conditioner was removed and is no longer available
5/14/15	Removed basic landplane attachments in 48", 72" and 78" sizes
5/22/15	Removed 607 backhoe. Updated laser transmitter part numbers.
6/29/15	Replaced Trimble Transmitters GL412: PN 6697972 and GL422: PN 6697973 with the GL412N: PN 7275231 and the GL422N: PN 7275232 respectively.
6/30/15	Added 3D Sensor Kit PN: 7276540 and 3D Harness Kit PN: 7276541.
7/1/15	Effective Wednesday July 1 st , 2015 Bobcat Company has adjusted the SLP of select attachments. Removed bundled part number from buckets, spill guards and pallet forks and frames.
7/31/15	Added PN 7257723, Tier 4 Forestry Applications Kit
9/16/15	Removed Bucket Bundles
10/22/15	Added MT85 CII mounting brackets and approved attachments: 7272933, 7272954, 7272912, 7272919, 7276448, M7040
10/29/15	Removed select planer drum options
11/4/15	Added S595 to approved attachments
12/1/15	Removed 12" and 16" digge. PNs: 6719754 and 6719755 respectively.
12/15/15	Added 7229102: S450 and T450 M-Series Attachment Control Kit, 7-Pin
1/28/16	Removed Tree Spade models
2/1/15	Skid Shoe for Tillers are now aftermarket parts. No longer standard equipment.
2/8/16	Discontinued Trenching Buckets with PN's: 6537147, 6537143, 6532776, 6532918, 6533031, 6536694, 6536930, 6536934, 6537130, 6537139
2/19/16	Removed 709 Backhoe specs.
2/26/16	Added Auger shaft diameters.
3/2/16	Updated Backhoe 9BH price.
3/17/16	Removed 48" sweeper with PN 7149358.
3/23/16	Added attachment approvals for T595 and T595H. Removed PN 7162567: 73" Smooth Shell Kit
3/28/16	Removed PN 6812937, 6811461, 6811452
3/30/16	Removed PN 7100250 Kit Stabilizer Mount.
4/20/16	Added Backhoe 7BH specs.
7/1/16	Effective Friday, July 1 st 2016, Bobcat Company has adjusted the SLP of select attachment options.
8/17/16	Updated Snowblower and hydraulic motor approvals.
1/18/17	Updated 8811 & 9BH Backhoe Kit Numbers

3/2/17	Removed PN 7196475 Spill Guard
3/15/17	Removed PN 6680073 & 7275231 Laser Transmitter
3/23/17	Removed PN 7235866 Latch Kit
4/18/17	Added T740 for PN 7168488, 7204238, & 7168932
4/20/17	Added Max Clamping Force Spec to Combo Buckets
4/27/17	Added Harness Accessory P/N 6736214 under 14-Pin Attachment Control P/N 6729313 for use with Heater Kit
7/10/17	Effective Monday, July 10 st 2017, Bobcat Company has adjusted the SLP of select attachment options.
7/13/17	Removed 500-series loaders as approved machines for 8811 Backhoe
9/18/17	Pallet fork – Standard Duty 2.5K addition to line up, Heavy Duty 4K replace Standard Duty 4K, Severe Duty 5.5K Replaces Heavy Duty 5.5K
11/13/17	Removed Rear Stabilizers for T870
01/01/18	Effective Thursday, January 1 st , 2018 Bobcat Company has adjusted the SLP of select options and power units.
04/16/18	Added stab/water/weight kit mount for Torsion T870 from PARTS Updated Backhoe X-Change™ bucket part numbers
06/06/2018	Added M7001-R01-C03 8.0 Hydraulic Motor Package for use with SB200 x 60" Snowblower
06/12/2018	Removed Backhoe Mounting Kit PN 6958101 and 54" Fertilizer & Grain Bucket PN 6557599
11/29/2018	NB Breaker line added
12/5/2018	Updated 68" and 84" Angle Broom PNs from 6905805 and 6905806 to 7337703 and 7337715 – New MI's include Orange HD Bristles and Reversible Sweeping Direction.
01/01/2019	Updated SLPs for January 1 st , 2019
04/10/2019	Updated Loader Buckets
4/19/19	Added 84" HD Box Blade
5/20/19	Added NB Breaker Water Nozzle Kit
5/31/19	Updated 72" Soil Conditioner (Manual & Hyd) to include approval of T700's
7/17/19	Removed buckets no longer in production (HD C/I, L/P, General Purpose, C/I, Snow) (Standard size bobtach buckets only)
8/22/19	Added Snow Pusher Pro
11/01/19	Added Bob-Dock Adapter Plate
12/20/19	Edited footer to display 2020 Price Book
1/29/2020	Updated CR600 to CR700
2/10/2020	Added L23 & L28 approved attachments
2/24/2020	Added T76 & S76 approved attachments
2/27/2020	Added MT100 approved attachments
3/24/2020	Updated bucket accessories
05/01/2020	Added 6' Snow Pusher Pro
05/07/2020	Added 52" and 64" Angle Broom
06/12/2020	Added S64/S66 and T64/T66 to approved attachments

07/13/2020	Added S62/T62 to approved attachments
------------	---------------------------------------

****Specification(s) are based on engineering calculations and are not actual measurements. Specification(s) are provided for comparison purposes only and are subject to change without notice. Specification(s) for your individual Bobcat equipment will vary based on normal variations in design, manufacturing, operating conditions, and other factor.***

Attachment Control Kits need to be installed on Bobcat loaders to operate the following attachments:

Angle Broom	Dozer Blade	Snowblower
Bob-Tach Mounted Backhoe	Grader	Soil Conditioner, Hydraulic
Box Blade with Laser	Planer (For Planers with	Stump Grinder
Chipper	Hydraulic Depth Adjust)	Tree Spades with ACD
Concrete Mixer	Snow V-Blades	Wheel Saw
Concrete Pump		

Note: Attachment Control Kits are included with the High Flow Auxiliary Hydraulics Option on all 763H (S/N 512220766 & above), 863H F-Series Loaders and all High Flow G-Series and newer Loaders.

ATTACHMENT – ORDER FROM PARTS	
PART NUMBER	DESCRIPTION

*For current Attachment pricing, reference BobQuote or Dealer Parts Department.
 Choose the appropriate kit below for your loader’s model and serial number range.*

G-Series thru K-Series Loaders

6733142	ATTACHMENT CONTROL KIT, 7-PIN PARTS \$ _____ (Used on all G-Series thru K-Series loaders) (Controls 7-Pin Attachments only) (Ship Weight 5 lbs.; Estimated install time 1.5 hours)
6733136	ATTACHMENT CONTROL KIT, 14-PIN PARTS \$ _____ (Used on all G-Series thru K-Series loaders) (Controls 14-Pin Attachments only) (May be used independently or in conjunction with Factory-Installed or Dealer-Installed 7-Pin Attachment Control Kit and High Flow loaders) (Estimated install time 1.5 hours)
6727739	ATTACHMENT CONTROL KIT, DUAL (7 AND 14-PIN) PARTS \$ _____ (Used on all G-Series thru K-Series loaders except S220, S250, S300, S330, T250, T300, T320 and A300) (Controls both 7 and 14-Pin Attachments) (Requires Front Auxiliary Hydraulics to Operate) (Estimated install time 1.5 hours)

M-Series Loaders

7229102	ATTACHMENT CONTROL KIT, 7-PIN PARTS \$ _____ (Used on S450 and T450 M-Series loaders only) (Controls 7-Pin Attachments only) (Ship Weight 5 lbs.) (Estimated install time 1.5 hours)
7128426	ATTACHMENT CONTROL KIT, 7-PIN PARTS \$ _____ (Used on all M-Series loaders except S450 and T450) (Controls 7-Pin Attachments only) (Ship Weight 5 lbs.) (Estimated install time 1.5 hours)
6733136	ATTACHMENT CONTROL KIT, 14-PIN PARTS \$ _____ (Used on all G-Series and newer loaders) (Controls 14-Pin Attachments only) (May be used independently or in conjunction with Factory-Installed or Dealer-Installed 7-Pin Attachment Control Kit and High Flow loaders) (Estimated install time 1.5 hours)

Small Loaders and Attachments Plus

6732656	14-PIN ATTACHMENT CONTROL KIT (MT50, MT52, MT55) PARTS \$ _____ (Controls attachments with up to two functions such as SG30 and SB150) (Must also order Light Kit, P/N 6732657 if using with MT50) (Estimated install time 2 hour)
7275444	14-PIN ATTACHMENT CONTROL KIT (MT85, MT100) PARTS \$ _____ (Controls attachments with up to two functions such as SG30 and SB150) (Estimated install time 2 hours)
7143064	14-PIN ATTACHMENT CONTROL KIT (S100, T110) PARTS \$ _____ (S100 and T110 loaders must be equipped with Standard Controls) (Includes wiring and two replacement handles) (Controls 14-Pin Attachments with up to three functions) (14-pin T-harness required on attachment not equipped with 14-pin harness) (Estimated install time 1 hour)
6733142	ATTACHMENT CONTROL KIT, 7-PIN (S100, T110) PARTS \$ _____ (S100 and T110 loaders must be equipped with Selectable Joystick Controls) (Controls 7-Pin Attachments only) (Estimated install time 1.5 hours)

- 6733136 ATTACHMENT CONTROL KIT, 14-PIN (S100, T110) PARTS \$_____**
(S100 and T110 loaders must be equipped with Selectable Joystick Controls)
(Controls 14-Pin Attachments only) (Estimated install time 1.5 hours)

- 6729313 14-PIN ATTACHMENT CONTROL KIT (463, 553, S70) PARTS \$_____**
(Controls attachments with up to two functions such as SG 30 & SB150)
(14-pin T-harness required on attachment not equipped with 14-pin harness)
(Includes one replacement handle) (Must also order Harness Accessory P/N 6736214 if using on a loader
with heater kit) (Estimated install time 1 hour)

PART	ATTACHMENT – ORDER FROM PARTS
NUMBER	DESCRIPTION

Small Loaders and Attachments Plus

For current Attachment pricing, reference BobQuote or Dealer Parts Department.

- 7214742** **BOBCAT ATTACHMENTS PLUS ATTACHMENT CONTROL KIT** PARTS \$ _____
 (For use with competitive loaders that don't have a factory installed control kit)
 (Allows competitive loaders to be equipped with 14-pin attachment control)
 (Attaches to the loader lift arm and frame with the use of tie straps and clamps making
 it more permanent than rental and demo kit)
 (14-pin T-harness required on attachment not equipped with 14-Pin T-Harness)
 (Est. installation time—1.5 hours)
- 6959151** **SINGLE FUNCTION ATTACHMENT CONTROL KIT** PARTS \$ _____
 (Allows all Bobcat loaders and other brand loaders to be equipped with a toggle switch mounted to the
 loader steering lever for control of single function attachments; angle brooms and older 72" & 84" soil
 conditioners with hydraulic angle only)
 (Estimated install time 1 hour)

F-Series and Prior Loaders

All F-Series and prior loaders must use one of the following 14-Pin Control Kits.

- 6709228** **14-PIN ATTACHMENT CONTROL KIT (BASIC)** PARTS \$ _____
 Use on the following loaders:
 751 – All Prior to G-Series
 753 – (S/N 508613488 & Above); (S/N 508613487 & Below) will NOT work without add'l parts.
 753L, 763, 7753, 773 – All Prior to G-Series
 853 – (S/N 508411354 & Above); (S/N 508411353 & Below) will NOT work without add'l parts.
 853 – All S/N 5101 & 5102 Prefix
 853 – (S/N 512818873 & Below)
 853H – All S/N 5103 & 5097 Prefix
 853H – (S/N 512818873 & Below)
 873 – (S/N 514111465 & Below)
 (Estimated install time 3 hours)
- 6712820** **14-PIN ATTACHMENT CONTROL KIT (PWM).....** PARTS \$ _____
 Use on the following loaders:
 853 – (S/N 512818874 & Above), but (S/N 512818874 – 512821845) must also order
 Adapter Module P/N 6669201 from Bobcat Parts.
 853H – (S/N 512818874 & Above), but (S/N 512818874 – 512821845) must also order
 Adapter Module P/N 6669201 from Bobcat Parts.
 863 – All Prior to G-Series
 873 – (S/N 514111466 & Above), but (S/N 514111424 – 514111962) must also order
 Adapter Module P/N 6669201 from Bobcat Parts.
 963 – All Prior to G-Series
 (Estimated install time 3 hours)
- 6706824** **14-PIN ATTACHMENT CONTROL KIT (40 SERIES).....** PARTS \$ _____
 (Used on all 543, 553, 640, 740 and 840 loaders) (Used to operate 68" Angle Broom,
 60" Snow V-Blade, SG30 Stump Grinder, SB150 and 1412 Snowblowers)
 (Estimated install time 4 hours)
- PIECE PARTS** **14-PIN ATTACHMENT CONTROL KIT (AHC).....** PARTS \$ _____
 (Used only on loaders with Advanced Hand Controls Prior to G-Series)
 (Refer to P/N 6713013 when ordering components)
- 6732656** **14-PIN ATTACHMENT CONTROL KIT (MT50).....** PARTS \$ _____
 (Controls attachments with up to two functions) (Must also order Light Kit, P/N 6732657)
 (Estimated install time 1hour)
- 6714215** **14-PIN ATTACHMENT CONTROL KIT (RENTAL & DEMO.)** PARTS \$ _____
 (Used on all 740, 751, 753, 763, 773, 843, 853, 863, 873 and 963 loaders – See Note)
 (Estimated install time .25 hours)
- Note:** Attachment Control Kit for Rental & Demonstration does NOT work with High Flow Attachments,
 Hand Control Loaders or G-Series Loaders.
- 6716566** **19-PIN REMOTE ATTACHMENT CONTROL KIT (RAC)** PARTS \$ _____
 (Used on all 700-800 Series BICS loaders prior to G-Series)
 (Required for chipper, concrete mixer and concrete pump attachments with 19-Pin harnesses)
 (Estimated install time 2 hours)

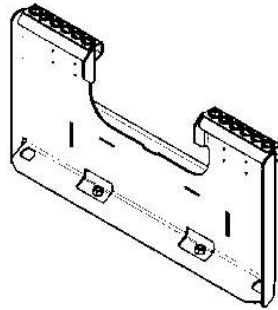
PART NUMBER	ATTACHMENT – ORDER FROM PARTS	DESCRIPTION
-------------	-------------------------------	-------------

For current Attachment pricing, reference BobQuote or Dealer Parts Department.

14-Pin Attachment T-Harness Kits

Converts a 7-pin attachment to include a 14-pin harness which is required for use with older loaders equipped only with 14-pin attachment control kit. When installed, the attachment will include both a 7-pin and 14-pin harness.

6725381	14-PIN ATTACHMENT T-HARNESS KIT	PARTS \$ _____ (Used with 68" & 84" Angle Brooms and 72" (S/N 232000101 and above) and 84" (S/N 651400101 and above) Hydraulic Soil Conditioners) (Estimated install time .5 hours)
6725383	14-PIN ATTACHMENT T-HARNESS KIT	PARTS \$ _____ (Used with Bob-Tach Mounted Backhoe, 15" and 16" Planers, 18" Planer S/N 231611101 and above, & 24" Planer S/N 231711101 and above, 14" Planer Kit, Grader (S/N 648000101 thru 64801630), Laser Box Blade (S/N 657500101 thru 657500369), Snow V-Blades, 18" Wheel Saw (S/N 991800101 thru 991800625) & 24" Wheel Saw (S/N 991900101 thru 991900830), SG60 Stump Grinder (Estimated install time .5 hours)
6958772	14-PIN LASER ATTACHMENT T-HARNESS KIT	PARTS \$ _____ (Used on F-Series and older BICS loaders for Trimble laser control system on Grader S/N 231511101 & above and 648000101 thru 64801630 and Laser Box Blade S/N 657500101 thru 657500369). Not for use with Bobcat Attachments Plus Control Kit, use p/n 6725383.
6727456	14-PIN ATTACHMENT T-HARNESS KIT	PARTS \$ _____ (Used with 40" Planer S/N 991400101 thru 991401035) (Ship Weight 5 lbs.) (Estimated install time .5 hours)
6725384	14-PIN ATTACHMENT T-HARNESS KIT	PARTS \$ _____ (Used with 68", 80", 90" & 96" Dozer Blades) (Estimated install time .5 hours)
6728165	14-PIN ATTACHMENT T-HARNESS KIT	PARTS \$ _____ (Used with Snowblowers) (Estimated install time .5 hours)
6728163	14-PIN ATTACHMENT T-HARNESS KIT	PARTS \$ _____ (Used with Sod Layer) (Estimated install time .5 hours)
7155357	14-PIN ATTACHMENT T-HARNESS KIT	PARTS \$ _____ (Used with Soil Conditioner with hydraulic angle and hydraulic depth: 60" S/N A86R00101 and above, 72" High Flow S/N A6TD00101 and above, 84" S/N A6TG00101 and above, 84" High Flow S/N A6TH00101 and above) (Estimated install time .5 hours)
7164095	14-PIN ATTACHMENT T-HARNESS KIT	PARTS \$ _____ (Used with 84" Grader S/N 648001631 and above, 96" and 108" Graders, Laser Box Blade S/N 657500370 and above, HD Box Blade, 18" Planer S/N AKS200101 and above, 24" Planer S/N AJN700101 and above) (Estimated install time .5 hours)
7196479	14-PIN ATTACHMENT T-HARNESS KIT	PARTS \$ _____ (Used with 18" Wheel Saw S/N 991800626 and above, 24" Wheel Saw S/N 991900831 and above, 40" Planer S/N 991401036 and above) (Estimated install time .5 hours)



QUICK SPECS

Operating Weight 87 lbs.

PART NUMBER	ATTACHMENT DESCRIPTION	SLP IN US \$
--------------------	-------------------------------	---------------------

(MT50, MT52, MT55, MT85, MT100)

7100695 ADAPTER PLATE..... **\$523.00**
 (Installs on competitive attachment for use with Bobcat MT50 and MT52)

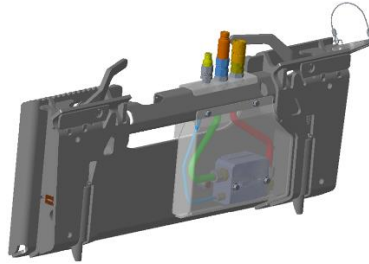
Note: The adapter plate is not approved for use with buckets because of reduced breakout forces and ROC.

Competitive Model Number	Attachment Description	Notes
Dingo® 22414	Hydraulic Blade	Extend hoses 20" to get full rollout
Dingo 22400	Auger Power Head	Maximum bit diameter is 30"
Dingo 22801	Universal Auger Power Head	Maximum bit diameter is 30"
Dingo 22441	Concrete Breaker	Extend hoses 20"
Dingo 22445	Tiller, 40"	
Dingo 22420	Boring Unit	
Dingo 22910	Vibratory Plow	
Dingo 22447	Trencher	
Harley Rake	M4F, M4M, M4H	
Ditch Witch SK5VP	Vibratory Plow	
Ditch Witch SK5TR	Trencher	Extend hoses 12"

DESTINATION CHARGE/FUEL SURCHARGE
 Refer to BobQuote or BobcatNET>>Other Resources>>Pricing Homepage for current Destination and Fuel Charges.

ATTACHMENT	ASSEMBLY REQUIRED INSTALLATION TIME (HOURS)
-------------------	--

Adapter Plate Install plate on attachment **0.25**



QUICK SPECS

Operating Weight 209 lbs.

PART NUMBER	ATTACHMENT DESCRIPTION	SLP IN US \$
-------------	------------------------	--------------

(S630, S650, S740, S770, T630, T650, T740, T770) (T76H)

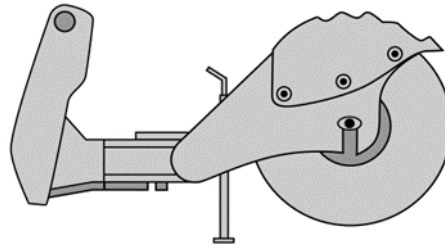
7346768	BOB-DOCK ADAPTER PLATE (The adapter plate connects to your hydraulic attachment and has a locked hydraulic connection integrated within. The adapter can stay with the attachment permanently, or it can be removed and installed on another attachment. The adapter plate attaches to most hydraulic attachments to allow the Bob-Dock system to seamlessly connect and disconnect from hydraulic attachments.)	\$1132.00
----------------	--	------------------

Note: Customers may require more than one Bob-Dock Adapter Plate

DESTINATION CHARGE/FUEL SURCHARGE
 Refer to BobQuote or BobcatNET>>Other Resources>>Pricing Homepage for current Destination and Fuel Charges.

ATTACHMENT	ASSEMBLY REQUIRED	INSTALLATION TIME (HOURS)
------------	-------------------	---------------------------

Bob-Dock Adapter Plate	Install plate on attachment	1.00
------------------------------	-----------------------------------	------



QUICK SPECS

	<u>52"</u>	<u>64"</u>
Operating Weight	355 lbs.	385 lbs.
Sweep Width Straight	51.5"	63.5"
Sweep Width Fully Angled.....	46.5" @ 25°	57.5" @ 25°
Broom Angling	Hydraulic Cylinder	Hyd. Cylinder
Drive System.....	Hyd. Motor	Hyd. Motor
	Direct Drive	Direct Drive
Flow Range	9-17.4 gpm	9-17.4 gpm
Broom Bristle Diameter	26"	26"
Bristle Material	Poly Orange HD	Poly Orange HD
Number of Bristle Sections	27 Zig-Zag	33 Zig-Zag
Electrical	14 Pin Standard	14 Pin Standard

PART	ATTACHMENT	
NUMBER	DESCRIPTION	SLP IN US \$

*Must order a hydraulic motor package with the 52" and 64" Angle Broom
 Preferred Hydraulic Motor Package (BOLD)
 To convert 14 pin to 7 pin order Kit # 7413216*

(S70, S100, S450) (MT55, MT85/100) (L23, L28)		
M7043	52" ANGLE BROOM.....	\$4,000.00
	<small>(Loader must be equipped with an Attachment Control Kit – See Page 1 or 2) (When used on loaders equipped with a 7-Pin Attachment Control Kit, a 7-Pin Attachment T-Harness Kit is required – See Page 3)</small>	
M7043-R02-C01	10.3 CID Motor Package 9.6 - 12.0 GPM	\$500.00
	(S70,S100, MT55, MT85/100, L23, L28)	
M7043-R02-C02	14.5 CID Motor Package 16.5 – 17.4 GPM	\$700.00
	(S450)	
(S70, S100, S450) (T450) (MT55, MT85/100)(L23, L28)		
M7044	64" ANGLE BROOM.....	\$4,400.00
	<small>(Loader must be equipped with an Attachment Control Kit – See Page 1 or 2) (When used on loaders equipped with a 7-Pin Attachment Control Kit, a 14-Pin Attachment T-Harness Kit is required – See Page 3)</small>	
M7044-R02-C01	10.3 CID Motor Package 9.6 - 12.0 GPM	\$500.00
	(S70,S100, MT55, MT85/100, L23, L28)	
M7044-R02-C02	14.5 CID Motor Package 16.5 – 17.4 GPM	\$700.00
	(S450, T450)	

PART NUMBER	DEALER INSTALLED ACCESSORIES – ORDER FROM SALES DESCRIPTION	SLP IN US \$
--------------------	--	---------------------

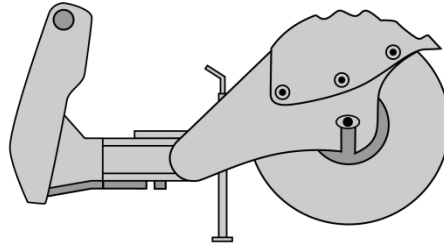
Water Kit

NOTE: Water Kits are available for use with the Angle Broom attachments – see Water Kit page for details.

DESTINATION CHARGE/FUEL SURCHARGE

Refer to BobQuote or BobcatNET>>Other Resources>>Pricing Homepage for current Destination and Fuel Charges.

ATTACHMENT	ASSEMBLY REQUIRED	INSTALLATION TIME (HOURS)
Angle Broom	None.....	-
Attachment Control Kit		See Page 1



QUICK SPECS

	48"	68"	84"
Operating Weight.....	260 lbs.	860 lbs.	944 lbs.
Sweep Width Straight.....	48"	68"	84"
Sweep Width Fully Angled.....	41.5" @ 30°	63.0" @ 25°	77.0" @ 25°
Broom Angling.....	Manual	Hyd. Cylinder	Hyd. Cylinder
Drive System.....	Hyd. Motor	Hyd. Motor	Hyd. Motor
		Reversing	Reversing
	Chain Dr. Reduction	Direct Drive	Direct Drive
Flow Range.....	8-13 gpm	8-24 gpm	15-28 gpm
Broom Bristle Diameter.....	21 3/8"	32"	32"
Bristle Material.....	Poly Blue	Poly Orange HD	Poly Orange HD
Number of Bristle Sections.....	23 Zig-Zag	36 Zig-Zag	44 Zig-Zag
	2 Straight	2 Straight	2 Straight

PART NUMBER	ATTACHMENT DESCRIPTION	SLP IN US \$
-------------	------------------------	--------------

(MT50, MT52, MT55, MT85, MT100) (S70)(L23,L28)

6907000 **48" ANGLE BROOM.....** **\$3,609.00**
 (Manual Angle, 3-Positions: 30° Right, Left and Straight)

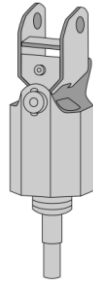
(S100, S130, S150, S160, S175, S185, S205) (S450, S510, S530, S550, S570, S590, S595, S630, S650, S740, S750, S770) (S62, S64, S66, S76) (A770) (T110, T140, T180, T190) (T450, T550, T590, T595, T630, T650, T740, T750, T770) (T62, T64, T66, T76)

7337703 **68" ANGLE BROOM.....** **\$5,638.00**
 (Loader must be equipped with an Attachment Control Kit – See Page 1 or 2)
 (When used on loaders equipped with a 14-Pin Attachment Control Kit, a 14-Pin Attachment T-Harness Kit is required – See Page 3)

(S150, S160, S160H, S175, S185, S185H, S205, S205H)

(S510, S530, S550, S550H, S570, S570H, S590, S590H, S595, S595H, S630, S650, S740, S750, S770, S850) (S62, S64, S66, S76) (A770) (T180, T180H, T190, T190H) (T550, T550H, T590, T590H, T595, T595H, T630, T650, T740, T750, T770, T870) (T62, T64, T66, T76)

7337715 **84" ANGLE BROOM.....** **\$6,359.00**
 (Loader must be equipped with an Attachment Control Kit – See Page 1 or 2)
 (When used on loaders equipped with a 14-Pin Attachment Control Kit, a 14-Pin Attachment T-Harness Kit is required – See Page 2)



Auger Drive Unit

QUICK SPECS

	<u>Model</u> 10	<u>Model</u> 15C	<u>Model</u> 15H	<u>Model</u> 30C	<u>Model</u> 30H	<u>Model</u> 35PH	<u>Model</u> 50PH
Ship Weight (Auger Drive)	191 lbs.	245 lbs.	241 lbs.	263 lbs.	257 lbs.	325 lbs.	325 lbs.
Ship Weight (Mtg. Frame).....	162 lbs.	193 lbs.	193 lbs.	193 lbs.	193 lbs.	209 lbs.	209 lbs.
Operating Weight (less bit).....	283 lbs.	358 lbs.	354 lbs.	376 lbs.	370 lbs.	454 lbs.	454 lbs.
Digging Depth							
(without extensions).....	58"	62"	62"	62"	62"	72"	72"
Shaft Diameter - Round.....	2.5"	2.5"	-	2.5"	-	-	-
Shaft Diameter – Hex	-	2.0"	2.0"	2.0"	2.0"	2.5"	2.5"
RPM							
@ 8 gpm (30 L/min.).....	48 rpm						
@ 12 gpm (45 L/min.).....	72 rpm	57 rpm	57 rpm				
@ 17 gpm (64 L/min.).....	102 rpm	80 rpm	80 rpm	41 rpm	41 rpm		
@ 18 gpm (68 L/min.).....						46 rpm	36 rpm
@ 21 gpm (70 L/min.).....		99 rpm	99 rpm	51 rpm	51 rpm		
@ 22 gpm (83 L/min.).....						56 rpm	45 rpm
@ 23 gpm (87 L/min.).....		109 rpm	109 rpm	56 rpm	56 rpm		
@ 26 gpm (98 L/min.).....						67 rpm	53 rpm
@ 30 gpm (114 L/min.).....				70 rpm	70 rpm	77 rpm	61 rpm
@ 32 gpm (121 L/min.).....						82 rpm	65 rpm
@ 34 gpm (129 L/min.).....						87 rpm	69 rpm
@ 36 gpm (136 L/min.).....						92 rpm	73 rpm
@ 37 gpm (140 L/min.).....				90 rpm	90 rpm		
@ 38 gpm (144 L/min.).....						98 rpm	77 rpm
Torque							
@ 2000 psi (19,788 kPa).....	1021ft.lb. (1523 Nm)	1300 ft.lb. (1763 Nm)	1300 ft.lb. (1763 Nm)	2520 ft.lb. (3417 Nm)	2520 ft.lb. (3417 Nm)	2387 ft.lb. (3237 Nm)	3023ft.lb. (4100 Nm)
@ 2400 psi (16,547 kPa).....	1225 ft.lb. (1661 Nm)	1560 ft.lb. (2115 Nm)	1560 ft.lb. (2115 Nm)	3024 ft.lb. (4100 Nm)	3024 ft.lb. (4100 Nm)	2864 ft.lb. (3884 Nm)	3628 ft.lb. (4920 Nm)
@ 2600 psi (17,926 kPa).....						3103 ft.lb. (4208 Nm)	3931ft.lb. (5330 Nm)
@ 2700 psi (18,616 kPa).....	1378 ft.lb. (1868 Nm)	1775 ft.lb. (2379 Nm)	1775 ft.lb. (2379 Nm)	3402 ft.lb. (4213 Nm)	3402 ft.lb. (4213 Nm)		
@ 3000 psi (20,684 kPa).....	1532 ft.lb. (2077 Nm)	1950 ft.lb. (2644 Nm)	1950 ft.lb. (2644 Nm)	3780 ft.lb. (5125 Nm)	3780 ft.lb. (5125 Nm)		
@ 3200 psi (22,753 kPa).....						3819 ft.lb. (5179 Nm)	3023ft.lb. (4100 Nm)
@ 3300 psi (22,753 kPa).....		2415 ft.lb. (2908 Nm)	2415 ft.lb. (2908 Nm)	4158 ft.lb. (5638 Nm)	4158 ft.lb. (5638 Nm)		
@ 3500 psi (24,132 kPa).....		2275 ft.lb. (3084 Nm)	2275 ft.lb. (3084 Nm)	4410 ft.lb. (5979 Nm)	4410 ft.lb. (5979 Nm)	4177 ft.lb. (5664 Nm)	5291.lb. (7175 Nm)

PART		ATTACHMENT	
NUMBER	DESCRIPTION		SLP IN US \$

(MT50, MT52, MT55, MT85, MT100) (S70, S100, S130, S150, S160, S175, S185, S205) (S450)
 (T110, T140) (T450)(L23,L28)

6808799 MODEL 10 AUGER DRIVE UNIT..... \$1,483.00
 (Must also order Mounting Frame and Bit) (Must order mounting frame, light duty bit and swing stop kit when installing on MT50,MT52, MT55, MT85, and MT100)

(S100, S130, S150, S160, S175, S185, S205) (S450*, S510*, S530*, S550*, S570*, S590*, S595*, S630*, S650*, S740*,S750*, S770*, S850*)(S62, S64, S66, S76) (A770*) (T110, T140, T180, T190, T250, T300, T320) (T450*, T550*, T590*, T595*, T630*, T650*, T740*, T740H*, T750*, T770*, T870*) (T62, T64, T66, T76)

6809442 MODEL 15C AUGER DRIVE UNIT..... \$1,817.00
 (Must also order Mounting Frame and Bit)
 (Auger drive unit is shipped with a 7/8" round bit retention pin, if used in conjunction with a hex bit a 5/8" Pin Kit P/N 6809733 is required.)

7145345 MODEL 15H HEX SHAFT AUGER DRIVE UNIT \$1,817.00
 (Must also order Mounting Frame and Bit)

(S130, S150, S160, S160H, S175, S185, S185H, S205, S205H) (S450*, S510*, S530*, S550*, S550H*, S570*, S570H*, S590*, S590H*, S595*, S595H*, S630H*, S650*, S650H*, S740*, S740H*, S750*, S750H*, S770*, S770H*, S850*, S850H*) (S62*, S62H*, S64*, S64H*, S66*, S66H*, S76*, S76H*)(A770*, A770H*) (T140, T180, T180H, T190, T190H) (T450*, T550*, T550H*, T590*, T590H*, T595*, T595H*, T630*, T630H*, T650*, T650H*, T740*, T740H*, T750*, T750H*, T770*, T770H*, T870*, T870H*)

(T62*, T62H*, T64*, T64H*, T66*, T66H*, T76*, T76H*)
6809445 MODEL 30C AUGER DRIVE UNIT..... \$2,375.00
 (Must also order Mounting Frame and Bit)
 (Auger drive unit is shipped with a 7/8" round bit retention pin, if used in conjunction with a hex bit a 5/8" Pin Kit P/N 6809733 is required.)

7138264 MODEL 30H HEX SHAFT AUGER DRIVE UNIT \$2,375.00
 (Must also order Mounting Frame and Bit)

***Must also order Bumper Kit p/n 7172609 from Parts ONLY IF AUGER MOUNTING FRAME p/n 6812980 IS OLDER MODEL. Current Auger Mounting Frame p/n 6812980 includes Bumper Kit p/n 7172609.**

PART		ATTACHMENT	
NUMBER	DESCRIPTION		SLP IN US \$

(S510, S530, S550, S570, S590, S595, S630, S650, S740, S740H, S750, S770, S850) (S62H, S64, S64H, S66, S66H, S76, S76H) (A770) (T550, T590, T595, T630, T650, T740, T750, T770, T870) (T62H, T62H, T64, T64H, T66, T66H T76, T76H)

7220280 35PH AUGER DRIVE UNIT \$3,717.00
 (Must also order 35PH/50PH Mounting Frame and Bit)
 (Auger Drive unit is shipped with bit retention pin)

(S550H, S570H, S590H, S595H, S630, S650, S740, S740H, S750, S770, S850) (S62H, S64H, S66, S66H, S76, S76H) (A770)
 (T550H, T590H, T595H, T630, T650, T740, T750, T770, T870) (T62H, T64H, T66, T66H, T76, T76H)

7227984 50PH AUGER DRIVE UNIT \$4,254.00
 (Must also order 35PH/50PH Mounting Frame and Bit)
 (Auger Drive unit is shipped with bit retention pin)

DEALER INSTALLED ACCESSORIES – ORDER FROM SALES		
PART NUMBER	DESCRIPTION	SLP IN US \$

(S70)(MT50-MT55, MT85, MT100)		
6812946	AUGER 10 BOB-TACH MOUNTING FRAME	\$496.00
	(Includes Mounting Hardware)	
(MT85, MT100)		
7272933	AUGER 10 MTG BRACKET CII	\$496.00
	(Includes Mounting Hardware)	
(S100-S330, S450-S850) (S62-S76) (A770) (T110-T320, T450-T870) (T62-T76)		
6812980	AUGER 15C/H, 30C/H MOUNTING FRAME.....	\$420.00
	(Includes Mounting Hardware)	
	(Includes Bumper Kit p/n 7172609)	
(S510-S850) (S62-S76) (A770) (T550-T870) (T62-T76)		
7223507	35PH/50PH MOUNTING FRAME.....	\$501.00
	(Includes Mounting Hardware)	

DEALER INSTALLED ACCESSORIES – ORDER FROM PARTS		
PART NUMBER	DESCRIPTION	

For current Dealer Installed Accessories pricing, reference BobQuote or Dealer Parts Department.

6811444	SWING STOP KIT, MT50 - MT55, MT85, MT100	PARTS	\$ _____
	(Use with Model 10 auger) (Limits side to side swing of auger bit.)		
7172609	BUMPER KIT, FOR M-SERIES	PARTS	\$ _____
	(Required for use with M-Series Loaders only if updating older Mounting Frame p/n 6812980)		

AUGER DRIVE & BIT RECOMMENDATIONS

Model 10 Augers—Recommended bit size 6" – 18"

Model 15C and 30C Augers—Recommended bit size 6" – 36"

Model 15H and 30H Augers—Recommended bit size 6" – 36"

Auger bit combinations should be used as a guideline. Recommendations are based upon average digging conditions.

LIGHT DUTY AUGER BITS

*Used with MT50, MT52, MT55, MT85, MT100 and Model 10 Auger
 White, round Drive, 45" Length, Single Flight.*

6679574	6" BIT	PARTS	\$ _____
	(Ship Weight 45 lbs.)		
6679575	9" BIT	PARTS	\$ _____
	(Ship Weight 53 lbs.)		
6679576	12" BIT	PARTS	\$ _____
	(Ship Weight 100 lbs.)		
6679577	15" BIT	PARTS	\$ _____
	(Ship Weight 120 lbs.)		
6679578	18" BIT	PARTS	\$ _____
	(Ship Weight 79 lbs.)		
6679579	24" BIT	PARTS	\$ _____
	(Ship Weight 144 lbs.)		
6679580	30" BIT	PARTS	\$ _____
	(Ship Weight 124 lbs.)		
6679581	36" BIT	PARTS	\$ _____
	(Ship Weight 165 lbs.)		

PART	DEALER INSTALLED ACCESSORIES – ORDER FROM PARTS
NUMBER	DESCRIPTION

For current Dealer Installed Accessories pricing, reference BobQuote or Dealer Parts Department.

STANDARD AUGER BITS & ACCESSORIES

Charcoal Color, Round Drive, 49" Length, Double Flight, Variable Tooth Angle: 40° or 50°

6666891	6" BIT PARTS \$ _____ (Ship Weight 60 lbs.)
6666892	9" BIT PARTS \$ _____ (Ship Weight 91 lbs.)
6666893	12" BIT PARTS \$ _____ (Ship Weight 128 lbs.)
6666894	15" BIT PARTS \$ _____ (Ship Weight 119 lbs.)
6666895	18" BIT PARTS \$ _____ (Ship Weight 160 lbs.)
6666896	24" BIT PARTS \$ _____ (Ship Weight 203 lbs.)
6666897	30" BIT PARTS \$ _____ (Ship Weight 275 lbs.)
6666898	36" BIT (MODEL 15 & 30) PARTS \$ _____ (Ship Weight 380 lbs.)
6666899	18" TREE PLANTING BIT PARTS \$ _____ (Ship Weight 140 lbs.)
6666900	24" TREE PLANTING BIT PARTS \$ _____ (Ship Weight 162 lbs.)
6666901	30" TREE PLANTING BIT PARTS \$ _____ (Ship Weight 236 lbs.)
6666902	36" TREE PLANTING BIT PARTS \$ _____ (Ship Weight 305 lbs.)

Standard Auger Bits Accessories

6679806	48" ADJUSTABLE ROUND EXTENSION PARTS \$ _____ (For Model 10, 15, 15C, 30 and 30C Augers) (6" and 9" bits will not allow the extension to telescope, only works in the top position) (Ship Weight 82 lbs.)
6679826	24" ADJUSTABLE ROUND EXTENSION PARTS \$ _____ (For Model 10, 15, 15C, 30 and 30C Augers) (6" and 9" bits will not allow the extension to telescope, only works in the top position) (Ship Weight 44 lbs.)
6679825	14" ROUND EXTENSION PARTS \$ _____ (For Model 10, 15, 15C, 30 and 30C Augers) (Ship Weight 24 lbs.)

PART NUMBER	DEALER INSTALLED ACCESSORIES – ORDER FROM PARTS
	DESCRIPTION

For current Dealer Installed Accessories pricing, reference BobQuote or Dealer Parts Department.

HEAVY DUTY AUGER BITS

Orange Color, Hex Drive, 42" Length, Single Flight

6674957	6" BIT PARTS \$ _____ (If installed on a 15C or 30C Auger drive unit, a 5/8" Pin Kit P/N 6809733 is required) (Ship Weight 46 lbs.)	
6674958	9" BIT PARTS \$ _____ (If installed on a 15C or 30C Auger drive unit, a 5/8" Pin Kit P/N 6809733 is required) (Ship Weight 59 lbs.)	
6674959	12" BIT PARTS \$ _____ (If installed on a 15C or 30C Auger drive unit, a 5/8" Pin Kit P/N 6809733 is required) (Ship Weight 76 lbs.)	
6674960	16" BIT PARTS \$ _____ (If installed on a 15C or 30C Auger drive unit, a 5/8" Pin Kit P/N 6809733 is required) (Ship Weight 97 lbs.)	
6675034	18" BIT PARTS \$ _____ (If installed on a 15C or 30C Auger drive unit, a 5/8" Pin Kit P/N 6809733 is required) (Ship Weight 112 lbs.)	
6674961	20" BIT PARTS \$ _____ (If installed on a 15C or 30C Auger drive unit, a 5/8" Pin Kit P/N 6809733 is required) (Ship Weight 117 lbs.)	
6674962	24" BIT PARTS \$ _____ (If installed on a 15C or 30C Auger drive unit, a 5/8" Pin Kit P/N 6809733 is required) (Ship Weight 151 lbs.)	
6674963	30" BIT PARTS \$ _____ (If installed on a 15C or 30C Auger drive unit, a 5/8" Pin Kit P/N 6809733 is required) (Ship Weight 193 lbs.)	
6674964	36" BIT PARTS \$ _____ (If installed on a 15C or 30C Auger drive unit, a 5/8" Pin Kit P/N 6809733 is required) (Ship Weight 270 lbs.)	
6674965	42" BIT PARTS \$ _____ (If installed on a 15C or 30C Auger drive unit, a 5/8" Pin Kit P/N 6809733 is required) (Ship Weight 302 lbs.)	

ROCK AUGER BITS

White Color, Hex Shaft, 42" Length, Single Flight

7169665	6" BIT PARTS \$ _____ (Ship Weight 64 lbs.)	
7169666	9" BIT PARTS \$ _____ (Ship Weight 78 lbs.)	
7169667	12" BIT PARTS \$ _____ (Ship Weight 102 lbs.)	
7169668	16" BIT PARTS \$ _____ (Ship Weight 123 lbs.)	
7169669	18" BIT PARTS \$ _____ (Ship Weight 149 lbs.)	
7169670	20" BIT PARTS \$ _____ (Ship Weight 152 lbs.)	
7169671	24" BIT PARTS \$ _____ (Ship Weight 195 lbs.)	
7169672	30" BIT PARTS \$ _____ (Ship Weight 225 lbs.)	

Rock Auger Bits Accessories – See Heavy Duty Auger Bits Accessories

PART NUMBER	DEALER INSTALLED ACCESSORIES – ORDER FROM PARTS DESCRIPTION
-------------	---

For current Dealer Installed Accessories pricing, reference BobQuote or Dealer Parts Department.

HEAVY DUTY AUGER BITS – 35/50PH AUGER DRIVE

7243233	8" BIT PARTS	\$ _____
	(Ship Weight 115 lbs.)	
7243234	12" BIT PARTS	\$ _____
	(Ship Weight 130 lbs.)	
7243235	18" BIT PARTS	\$ _____
	(Ship Weight 165 lbs.)	
7243236	24" BIT PARTS	\$ _____
	(Ship Weight 225 lbs.)	
7243237	30" BIT PARTS	\$ _____
	(Ship Weight 295 lbs.)	
7243238	36" BIT PARTS	\$ _____
	(Ship Weight 350 lbs.)	
7243239	48" BIT PARTS	\$ _____
	(Ship Weight 495 lbs.)	

ROCK AUGER BITS – 35/50PH AUGER DRIVE

7243240	8" BIT PARTS	\$ _____
	(Ship Weight 118 lbs.)	
7243241	12" BIT PARTS	\$ _____
	(Ship Weight 130 lbs.)	
7243242	18" BIT PARTS	\$ _____
	(Ship Weight 165 lbs.)	
7243243	24" BIT PARTS	\$ _____
	(Ship Weight 210 lbs.)	
7243244	30" BIT PARTS	\$ _____
	(Ship Weight 300 lbs.)	

PART NUMBER	DEALER INSTALLED ACCESSORIES – ORDER FROM PARTS DESCRIPTION
-------------	---

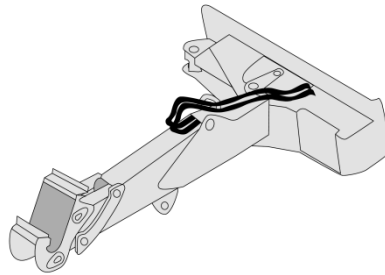
Heavy Duty Auger Bits Accessories/Rock Auger Bits Accessories

6809733	5/8" (.625) PIN KIT PARTS	\$ _____
	(Used for retention of hex bits on 15C and 30C Auger drive units)	
	(Ship Weight 11 lbs.)	
6679807	48" ADJUSTABLE HEX EXTENSION PARTS	\$ _____
	(For Model 15H, 15C, 30H and 30C Augers)	
	(Ship Weight 48 lbs.)	
6662876	24" ADJUSTABLE HEX EXTENSION PARTS	\$ _____
	(For Model 15H, 15C, 30H and 30C Augers)	
	(Ship Weight 33 lbs.)	
6662874	ROUND SHAFT TO HEX BIT ADAPTER, CAST PARTS	\$ _____
	(For Model 15 & 30 Augers with Round Output Shaft)	
	(Ship Weight 19 lbs.)	
6662875	HEX SHAFT TO ROUND BIT ADAPTER, CAST PARTS	\$ _____
	(For Model 15H, 15C, 30H and 30C Augers with Hex Output Shaft)	
	(Ship Weight 20 lbs.)	
7137091	HEX SHAFT TO ROUND BIT ADAPTER, SLEEVE PARTS	\$ _____
	(For Model 15H, 15C, 30H and 30C Augers with Hex Output Shaft)	
	(5/8" Pin Kit P/N 6809733 is required.) (Sleeve slides over hex shaft, converting it to round)	
	(Ship Weight 3 lbs.)	
7243729	48" ADJUSTABLE HEX EXTENSION PARTS	\$ _____
	(For 35PH & 50PH Auger Drives) (Shipping Weight 105lbs.)	

DESTINATION CHARGE/FUEL SURCHARGE
Refer to BobQuote or BobcatNET>>Other Resources>>Pricing Homepage for current Destination and Fuel Charges.

ATTACHMENT	ASSEMBLY REQUIRED	INSTALLATION TIME (HOURS)
-------------------	--------------------------	--------------------------------------

Auger.....	Assemble drive unit to mounting frame and install bit	0.5
------------	---	-----



QUICK SPECS

Operating Weight (without bucket)	750 lbs.
Swing Angle.....	48 degrees left or right
Length	77.0"
Width.....	50.0"
Height.....	17.8"
Dig Depth.....	72.0"
Reach.....	77.0"
Dig Force – Bucket	4878 lbf.
Bolt-on X-Change	Standard

PART NUMBER	ATTACHMENT DESCRIPTION	SLP IN US \$
-------------	------------------------	--------------

(S150, S160, S175, S185, S205) (S510, S530, S550, S570, S590, S595) (S62-S66) (T180, T190) (T550, T590, T595) (T62-T66)

6906767	BOB-TACH MOUNTED BACKHOE (Must also order bucket, see Backhoe Bucket pages) (Loader must be equipped with an Attachment Control Kit – See Page 1 and 2) (If installing on loader with 14-Pin Attachment Control, must also order 14-pin Attachment T-Harness P/N 6725383) (Bob-Tach Mounted Backhoe is NOT compatible with Rear Stabilizers)	\$5,422.00
----------------	--	-------------------

PART NUMBER	DEALER INSTALLED ACCESSORIES – ORDER FROM SALES DESCRIPTION	SLP IN US \$
-------------	---	--------------

7104321	HYDRAULIC CLAMP (Includes cylinder, hoses & pins) (Must also order Auxiliary Hydraulic Kit)	\$1,923.00
----------------	---	-------------------

PART NUMBER	DEALER INSTALLED ACCESSORIES – ORDER FROM PARTS DESCRIPTION	PARTS \$
-------------	---	----------

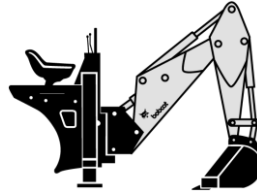
6958160	AUXILIARY HYDRAULIC KIT (Must order if using Hydraulic Clamp with Backhoe) (Ship Weight 10 lbs.)	\$_____
----------------	--	----------------

DESTINATION CHARGE/FUEL SURCHARGE

Refer to BobQuote or BobcatNET>>Other Resources>>Pricing Homepage for current Destination and Fuel Charges.

ATTACHMENT	ASSEMBLY REQUIRED	INSTALLATION TIME (HOURS)
------------	-------------------	---------------------------

Backhoe.....	Install bucket on backhoe	0.25
Auxiliary Hydraulics Kit.....	Install Auxiliary Hydraulics Kit on backhoe.....	1.00



QUICK SPECS

	<u>M06</u>	<u>7BH</u>	<u>9BH</u>	<u>8811</u>
Operating Weight...	685 lbs.	1298 lbs.	1487 lbs.	2012 lbs.
Dig Depth.....	76.2"	95.1"	116.6"	135.7"
Reach.....	88"	123.6"	145.3"	166"
Dig Force – Bucket	2200 lbf.	5294 lbf.	5318 lbf.	8611 lbf.
Dig Force – Dipper.	968 lbf.	2835 lbf.	3291 lbf.	3020 lbf.
Bolt-on X-Change..	N/A	Standard	Standard	Standard
Swing Angle.....	180°	180°	180°	180°
Stabilizer type	Hydraulic	Vertical	Hydraulic	Hydraulic

PART	ATTACHMENT	SLP IN US \$
NUMBER	DESCRIPTION	

For current parts pricing, reference BobQuote or Dealer Parts Department.

(MT50, MT52, MT55)

7101456	M06 BACKHOE	\$7,265.00
	(Must order a Bucket and Mounting Kit)	
7153411	AUXILIARY HYDRAULICS MODE SWITCH KIT	PARTS \$ _____
	(Needed to control M06 Backhoe attachment on MT52 s/n A3WR11001 & above and MT55 s/n A3WT11001 & above)	

(S450, S510, S530, S550, S570, S590, S595)(T450, T550, T590, T595)

7243518	7BH BACKHOE	\$13,076.00
	(Must also order mounting kit and bucket) (Will not fit K-Series and older loaders)	

(S510, S530, S550, S570, S590, S595, S630, S650) (T550, T590, T595, T630, T650)

7237275	9BH BACKHOE	\$13,838.00
	(Must also order mounting kit and bucket) (Will not fit K-Series and older loaders)	

(S630, S650, S740, S750, S770, S850) (A770) (T630, T650, T740, T750, T770, T870)

7130772	8811 BACKHOE	\$14,742.00
	(Must also order Mounting Kit and Bucket) (Must order Spacer Kit (PN 7168932) When mounting on M-Series machines) (Must order latch kit if backhoe serial number is below A5581500)	

Note: Use of Rear Stabilizers is recommended with the 9BH and 8811 Backhoes.

Note: Bolt-on street pads are available for the 607, 709, 8709, 811 and 8811 Backhoes from Bobcat Parts.

PART NUMBER	DEALER INSTALLED ACCESSORIES – ORDER FROM SALES	SLP IN US \$
-------------	---	--------------

Backhoe Attachments

6817177	FROST & ROCK RIPPER (Used on the 709/8709/811/8811 Backhoes to penetrate and scarify frost or hard ground) (X-Change System required) (Operating Weight 195 lbs.)	\$1,005.00
6806644	PACKER WHEEL (Use with 607/709/8709/811/8811 Backhoes to compact fill after trenching.) (X-Change System required) (Operating Weight 386 lbs.)	\$2,252.00

Backhoe Mounting Kits – Current

7101552	MOUNTING KIT (M06 to MT52 or MT55)	\$179.00
7228276	MOUNTING KIT (7BH & 9BH to S450, S510, S530, S550, S570, S590, S595, T450, T550, T590, T595) (Ship Weight 50 lbs.; Estimated install time 2 hrs.)	\$407.00
6813148	MOUNTING KIT PARTS \$____ (8811 to S220, S250, S300, S330, A300, T250, T300, T320) (Use with backhoe s/n A55809999 & below and s/n 630199999 & below) (Ship Weight 45 lbs.; Estimated install time 1 hour)	
7167510	MOUNTING KIT PARTS \$____ (8811 to S220, S250, S300, S330, A300, T250, T300, T320) (Ship Weight 50 lbs.; Estimated install time 1 hour) (Use with backhoe s/n A55810000 & above, effective May 2009) (Use with backhoe s/n A55809999 & below and s/n 630199999 & below, if equipped with Latch Kit p/n 7204238)	
7168488	MOUNTING KIT \$407.00 (8811 to S630, S650, S740, S750, S770, A770, T630, T650, T740, T750, T770) (9BH to S630, S650, T630, T650) (Ship Weight 50 lbs.; Estimated install time 2 hours) (For Backhoe 8811 s/n A55809999 & below and s/n 630199999 & below, must also order p/n 7204238 from parts)	
7204239	MOUNTING KIT PARTS \$____ (8811 to S850 & T870) (Ship Weight 50 lbs.; Estimated install time 2 hours) (For backhoe s/n A55810370 & below and s/n 630199999 & below, must also order p/n 7204238 from parts) (Must also order Spacer Kit p/n 7168932)	
7204238	LATCH KIT PARTS \$____ (Required for 8811 s/n A55809999 & below and s/n 630199999 & below to S630, S650, S740, S750, S770, S850, A770, T630, T650, T740, T750, T770, T870) (Requires Mounting Kit p/n 7167510 to be compatible with K-Series loaders)	
7168932	BOB-TACH ADAPTER KIT (SPACER) \$706.00 (Required to mount 8811 to S630, S650, S740, S750, S770, S850, S76 A770, T630, T650, T740, T750, T770, T870, T76)	

PART NUMBER	DEALER INSTALLED ACCESSORIES – ORDER FROM SALES	SLP IN US \$
-------------	---	--------------

Laser Equipment

(S130, S150, S160, S175, S185, S205) (S630, S650, S740, S750, S770) (A770)
 (T140, T180, T190) (T630, T650, T740, T750, T770)

7387821	LASER RECEIVER, CR700 (Can be used as handheld, machine, or rod-mounted laser receiver) (Includes magnetic mount for machines and clamp mount for grader rod)	\$483.00
----------------	--	-----------------

PART NUMBER	DEALER INSTALLED ACCESSORIES – ORDER FROM PARTS
	DESCRIPTION

For current Dealer Installed Accessories pricing, reference BobQuote or Dealer Parts Department.

Backhoe Mounting Kits – Non-Current

PIECE PARTS	MOUNTING KIT PIECE PARTS (406 to 463, S70) (Mounts included with backhoe—to install on additional loaders only.)		
7141973	MOUNTING KIT PARTS	\$	_____
	(506 to S100, T110)		
7101325	MOUNTING KIT PARTS	\$	_____
	(607 or 709 to S150, S160 and T180) (Ship Weight 160 lbs.; Estimated install time 1 hour)		
6718155	MOUNTING KIT PARTS	\$	_____
	(607 or 709 S/N 2700-00301 & above to 773 G-Series or newer, S175, S185, S205 and T190 and all 709s with Fold Down Stabilizers) (Ship Weight 66 lbs.; Estimated install time 1 hour)		
6538707	MOUNTING KIT PARTS	\$	_____
	(607 or 709 to 753, S130, 763, T140, however, 753 with 54" offset rim option will NOT allow Backhoe mount clearance) (Ship Weight 160 lbs.; Estimated install time 1 hour)		
PIECE PARTS	MOUNTING KIT PARTS	\$	_____
	(905B to 453)		
PIECE PARTS	MOUNTING KIT PARTS	\$	_____
	(905B to 553)		
6538426	MOUNTING KIT, BALL TYPE PIECE PARTS		
	(Bolts to P/N 6538707 to Mount 907 or 909 to 753) (Ship Weight 20 lbs.; Estimated install time 1 hour)		
6562446	MOUNTING KIT PIECE PARTS		
	(907 to 630, 640, 730, 740 Series & 909 to 730, 730 Series) (Ship Weight 28 lbs.; Estimated install time 1 hour)		
PIECE PARTS	MOUNTING KIT PARTS	\$	_____
	(907 or 909 to 753)		
PIECE PARTS	MOUNTING KIT PARTS	\$	_____
	(607 or 907 to 640 Series)		
PIECE PARTS	MOUNTING KIT PARTS	\$	_____
	(607, 709, 907 or 909 to 740 Series)		
PIECE PARTS	MOUNTING KIT PARTS	\$	_____
	(607s & 709 with Fold Down Stabilizers & 709 (S/N 2700-00301 & Above) to 773 F-series and prior)		
PIECE PARTS	MOUNTING KIT PARTS	\$	_____
	(811 to 853, 863, A220, T200)		
PIECE PARTS	MOUNTING KIT PARTS	\$	_____
	(811 to 843, however, mounting kit does not allow track clearance on 843)		
PIECE PARTS	MOUNTING KIT PARTS	\$	_____
	(811 to 963)		
PIECE PARTS	MOUNTING KIT PARTS	\$	_____
	(8709 to 873 F-Series, 873 G-Series & 883)		
PIECE PARTS	MOUNTING KIT PARTS	\$	_____
	(911 to 853, 863 F-Series. Fits 863 S/N 514425684 and below. Will not work with G-Series)		
PIECE PARTS	MOUNTING KIT PARTS	\$	_____
	(911 to 843)		
6587606	MOUNTING KIT PIECE PARTS		
	(607 (S/N 775001440 & Above), All 709s with Fold Down Stabilizers, 709 (S/N 270001200 & Above) to 853, 863, A220 and T200) (Ship Weight 120 lbs.; Estimated install time 1.5 hours)		
PIECE PARTS	MOUNTING KIT PARTS	\$	_____
	(8811 to 873 and 883) (Ship Weight 31 lbs.; Estimated install time 1 hour)		

PART NUMBER	DEALER INSTALLED ACCESSORIES – ORDER FROM PARTS DESCRIPTION
-------------	---

For current Dealer Installed Accessories pricing, reference BobQuote or Dealer Parts Department.

Backhoe Training Kit

6900329 BACKHOE ATTACHMENT OPERATOR TRAINING KIT..... PARTS \$ _____
 (Spanish Version is also available P/N 6900585)

Hydraulic Kits

PIECE PARTS HYDRAULIC KIT, 709 PARTS \$ _____
 (Not compatible with 709 s/n A54M00101 & above; 709 FDS s/n A5F300101 & above)

PIECE PARTS HYDRAULIC KIT, 811 PARTS \$ _____
 (Not compatible with 8811)

PART NUMBER	DEALER INSTALLED ACCESSORIES – ORDER FROM PARTS DESCRIPTION
-------------	---

For current Dealer Installed Accessories pricing, reference BobQuote or Dealer Parts Department.

Street Pads

6660164 RUBBER STREET PAD PARTS \$ _____
 (Use with 607, 709 with Fold down or Vertical stabilizers and 8709 Backhoes)
 (Must order quantity of 2)

6632445 RUBBER STREET PAD PARTS \$ _____
 (Use with 811 and 8811 Backhoes) (Must order quantity of 2)

Accessories for all Current Backhoe Buckets

7107317 HENSLEY FORGED TOOTH POINT PARTS \$ _____
 (Qty. 1)

7107320 HENSLEY TIGER TOOTH POINT PARTS \$ _____
 (Qty. 1)

7107321 HENSLEY TWIN TIGER TOOTH POINT PARTS \$ _____
 (Qty. 1)

BACKHOE BUCKETS – ORDER FROM SALES				
PART NUMBER	DESCRIPTION	SAE HEAPED CAPACITY (FT ³)	SHIP. WGT.	SLP IN US \$

Backhoe Buckets – Current

(Bob-Tach Mounted Backhoe X-Change™ Style)

Note: These buckets are the same buckets as used with the 607 Backhoe and 325 and 328 excavators.

7333229	12" TRENCHING BUCKET, SMOOTH LIP	1.33	167	\$683.00
7333230	12" TRENCHING BUCKET, 3 WELD-ON TEETH.....	1.33	173	\$683.00
7333244	16" TRENCHING BUCKET, SMOOTH LIP	1.92	192	\$715.00
7333245	16" TRENCHING BUCKET, 3 WELD-ON TEETH.....	1.92	195	\$715.00
7333254	20" TRENCHING BUCKET, SMOOTH LIP	2.53	226	\$761.00
7333255	20" TRENCHING BUCKET, 4 BOLT-ON TEETH	2.53	230	\$761.00

(M06 Pin-On Style)

6715495	9" TRENCHING BUCKET, 2 BOLT-ON TEETH	0.5	53	\$442.00
6715496	12" TRENCHING BUCKET, 3 BOLT-ON TEETH.....	0.7	63	\$489.00

(406 Pin-On Style)

6715495	9" TRENCHING BUCKET, 2 BOLT-ON TEETH	0.5	53	\$442.00
6715496	12" TRENCHING BUCKET, 3 BOLT-ON TEETH.....	0.7	63	\$489.00
6715497	16" TRENCHING BUCKET, 3 BOLT-ON TEETH.....	1.1	75	\$536.00

7109522	18" TRENCHING BUCKET, 4 BOLT-ON TEETH.....	1.3	90	\$552.00
6715498	20" TRENCHING BUCKET, 4 BOLT-ON TEETH.....	1.4	85	\$583.00

NOTE: THESE BUCKETS ARE THE SAME BUCKETS USED WITH 322 EXCAVATOR.

BACKHOE BUCKETS – ORDER FROM SALES				
PART NUMBER	DESCRIPTION	SAE HEAPED CAPACITY (FT ³)	SHIP. WGT.	SLP IN US \$

Backhoe Buckets – Current (Continued)

(7BH/607 X-Change™ Style)

7333229	12" TRENCHING BUCKET, SMOOTH LIP	1.33	167	\$683.00
7333230	12" TRENCHING BUCKET, 3 WELD-ON TEETH.....	1.33	173	\$683.00
7333244	16" TRENCHING BUCKET, SMOOTH LIP	1.92	192	\$715.00
7333245	16" TRENCHING BUCKET, 3 WELD-ON TEETH.....	1.92	195	\$715.00
7333254	20" TRENCHING BUCKET, SMOOTH LIP	2.53	226	\$761.00
7333255	20" TRENCHING BUCKET, 4 BOLT-ON TEETH	2.53	230	\$761.00
7333259	24" TRENCHING BUCKET, SMOOTH LIP	3.14	254	\$830.00
7333260	24" TRENCHING BUCKET, 4 BOLT-ON TEETH	3.14	255	\$830.00

Note: These buckets are the same buckets used with 325, 328 excavators.

(709/9BH/8709/811/8811 X-Change™ Style)

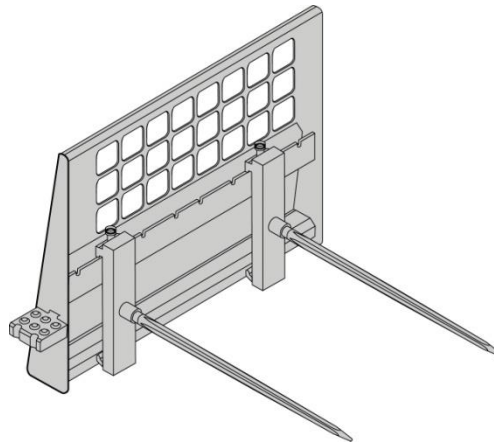
7323832	12" TRENCHING BUCKET, SMOOTH LIP	1.6	178	\$914.00
7323833	12" TRENCHING BUCKET, 3 WELD-ON TEETH.....	1.6	184	\$914.00
7324829	16" TRENCHING BUCKET, SMOOTH LIP	2.31	206	\$940.00
7324830	16" TRENCHING BUCKET, 4 WELD-ON TEETH.....	2.31	208	\$940.00
7323841	18" TRENCHING BUCKET, SMOOTH LIP	2.68	226	\$1,030.00
7323842	18" TRENCHING BUCKET, 4 WELD-ON TEETH.....	2.68	231	\$1,030.00
7323820	20" TRENCHING BUCKET, SMOOTH LIP	3.05	241	\$1,073.00
7323821	20" TRENCHING BUCKET, 4 WELD-ON TEETH	3.05	244	\$1,073.00
7323529	24" TRENCHING BUCKET, SMOOTH LIP	3.8	238	\$1,109.00
7323530	24" TRENCHING BUCKET, 4 WELD-ON TEETH.....	3.8	274	\$1,109.00
7323822	30" TRENCHING BUCKET, SMOOTH LIP	4.91	319	\$1,235.00
7323823	30" TRENCHING BUCKET, 5 WELD-ON TEETH	4.91	325	\$1,235.00
7323824	36" TRENCHING BUCKET, SMOOTH LIP	6.02	365	\$1,345.00
7323825	36" TRENCHING BUCKET, 6 WELD-ON TEETH	6.02	365	\$1,345.00
7333657	36" GRADING BUCKET, NO TEETH	6.33	355	\$1,273.00

Note: These buckets are the same buckets used with 331, 331E and 334 excavators.

DESTINATION CHARGE/FUEL SURCHARGE
Refer to BobQuote or BobcatNET>>Other Resources>>Pricing Homepage for current Destination and Fuel Charges.

ATTACHMENT	ASSEMBLY REQUIRED	INSTALLATION TIME (HOURS)
-------------------	--------------------------	----------------------------------

Backhoe, S70	Install backhoe on S70 loader & bucket on backhoe	0.5
Backhoe.....	Install mounting kit on loader & bucket on backhoe	1.0-2.0



Bale Forks with Pallet Fork Frame

QUICK SPECS

Weight Forks..... 100 lbs.
 Operating Capacity..... Based on machine's rated operating capacity
 Length of Fork 40.8"

PART NUMBER	DESCRIPTION	ATTACHMENT	SLP IN US \$
-------------	-------------	------------	--------------

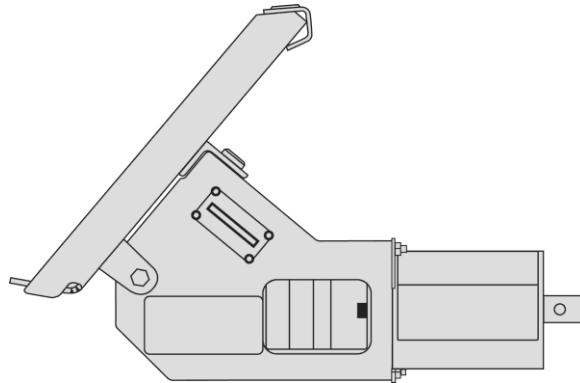
(S100, S130, S150, S160, S175, S185, S205)
 (S510, S530, S550, S570, S590, S595, S630, S650, S740, S750, S770, S850) (A770) (S62, S64, S66, S76)
 (T140, T180, T190) (T630, T650, T740, T750, T770, T870) (T62, T64, T66, T76)
6815781 **BALE FORKS, SET OF 2**..... **\$682.00**
 (Must also order pallet fork frame p/n 6712927 or 7109332)

DESTINATION CHARGE/FUEL SURCHARGE

Refer to BobQuote or BobcatNET>>Other Resources>>Pricing Homepage for current Destination and Fuel Charges.

ATTACHMENT	ASSEMBLY REQUIRED	INSTALLATION TIME (HRS.)
------------	-------------------	--------------------------

Bale Forks.....None..... -



QUICK SPECS

Operating Weight (without bit).....	130 lbs.
Overall Width.....	36"
Overall Height.....	17.5"
Overall Length.....	26.75"
Maximum recommended boring distance.....	30'

PART NUMBER	ATTACHMENT DESCRIPTION	SLP IN US \$
-------------	------------------------	--------------

(MT50, MT52, MT55, MT85, MT100) (S70)(L23,L28)

7110098	BORING UNIT	\$2,460.00
	(Includes drive unit and guide tool)	

PART NUMBER	DEALER INSTALLED ACCESSORIES – ORDER FROM PARTS DESCRIPTION
-------------	---

For current Dealer Installed Accessories pricing, reference BobQuote or Dealer Parts Department.

7110583	BORING TOOLS KIT	PARTS \$ _____
	(Includes (5) 5' drilling rods, 1 3/4" boring bit, 2 7/8" reamer bit, swivel shank, button repair kit (qty. 12), and uncoupling tool) (Use with up to 2 1/2" outside diameter material)	
6687659	DRILL ROD, 5'	PARTS \$ _____
6577076	DRILL ROD, 10'	PARTS \$ _____

**THE FOLLOWING BORING AND REAMING BITS SHOULD BE USED TOGETHER FOR PROPER EFFICIENCY
 ALL REAMING BITS INCLUDE A SWIVEL SHANK**

6687657	BORING BIT, 1 1/4"	PARTS \$ _____
6687656	REAMING BIT, 2"	PARTS \$ _____
6577077	BORING BIT, 1 3/4"	PARTS \$ _____
6577298	REAMING BIT, 2 7/8"	PARTS \$ _____
6577078	BORING BIT, 2"	PARTS \$ _____
6577080	REAMING BIT, 3 1/2"	PARTS \$ _____
6687658	BORING BIT, 2 1/2"	PARTS \$ _____
6577299	REAMING BIT, 4 1/2"	PARTS \$ _____

PART NUMBER	DEALER INSTALLED ACCESSORIES – ORDER FROM PARTS
	DESCRIPTION

For current Dealer Installed Accessories pricing, reference BobQuote or Dealer Parts Department.

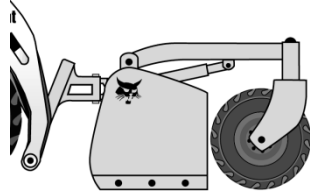
THE FOLLOWING CARBIDE BITS AND AUGERS SHOULD BE USED TOGETHER WHEN BORING THROUGH HARD CLAYS, SHALE, HARDPAN, SANDSTONE AND ROOT IMPREGNATED AREAS.

6577302	CARBIDE HEAD, 2 1/2"	PARTS	\$ _____
6687653	AUGER, 4' X 2 3/8"	PARTS	\$ _____
6688364	CARBIDE HEAD, 3 5/8"	PARTS	\$ _____
6687654	AUGER, 4' X 3 1/4"	PARTS	\$ _____
6687652	CARBIDE HEAD, 4 1/2"	PARTS	\$ _____
6687655	AUGER, 4' X 4"	PARTS	\$ _____
7102514	CABLE PULL KIT, 0.50-0.99" DIAMETER	PARTS	\$ _____
7100498	CABLE PULL KIT, 1.00-1.24" DIAMETER	PARTS	\$ _____
7102515	CABLE PULL KIT, 1.25-1.49" DIAMETER	PARTS	\$ _____
7100499	PIPE PULL KIT, 1.00-1.50" PIPE	PARTS	\$ _____

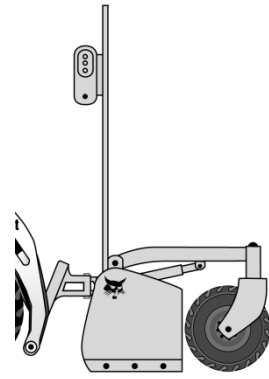
DESTINATION CHARGE/FUEL SURCHARGE
Refer to BobQuote or BobcatNET>>Other Resources>>Pricing Homepage for current Destination and Fuel Charges.

	ASSEMBLY REQUIRED	INSTALLATION
ATTACHMENT		TIME (HOURS)

⁷⁵ Boring Unit.....None.....			-
--	--	--	---



Box Blade



Box Blade with Laser Receiver

QUICK SPECS

	<u>Box Blade</u>	<u>Box Blade with Laser Receiver</u>
Operating Weight.....	980 lbs. (445 kg)	1020 lbs. (464 kg)
Height.....	32.0" (813 mm)	32.0" (813 mm)
Width.....	85.5" (2173 mm)	85.5" (2173 mm)
Moldboard Width.....	84.0" (2134 mm)	84.0" (2134 mm)
Moldboard Cutting Edge (Reversible) ..	1/2" x 6"	1/2" x 6"
Grade Accuracy with Laser.....	N/A	+/- 1/4"

PART NUMBER	ATTACHMENT DESCRIPTION	SLP IN US \$
--------------------	-------------------------------	---------------------

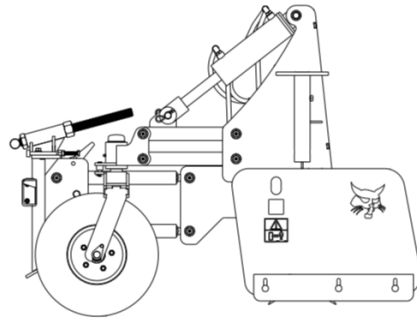
(S150, S160, S175, S185, S205) (S510, S530, S550, S570, S590, S595, S630, S650, S740, S750, S770)
 (S64, S66, S76) (A770) (T140, T180, T190) (T450, T550, T590, T595, T630, T650) (T64, T66, T76)
6906574 84" BOX BLADE..... \$4,374.00
 (Used for rough grading and landscaping)

(S150, S160, S175, S185, S205) (S510, S530, S550, S570, S590, S595, S630, S650, S740, S750, S770)
 (S64, S66, S76) (A770) (T140, T180, T190) (T450, T550, T590, T595, T630, T650) (T64, T66, T76)
6906676 84" BOX BLADE WITH LASER MOUNTING..... \$6,659.00
 (Must also order receiver p/n 7160486)
 (May also need laser transmitter and tripod—unless customer has this equipment.)
 (The laser receiver will work with most rotating laser beacons)
 (Loader must be equipped with an Attachment Control Kit – See Page 1 or 2)
 (If installing on loader with 14-Pin Attachment Control, must also order 14-Pin Attachment T-Harness P/N 7164095)

DEALER INSTALLED ACCESSORIES – ORDER FROM SALES		
PART NUMBER	DESCRIPTION	SLP IN US \$
7275232	LASER TRANSMITTER, DUAL SLOPE (Trimble GL422N; includes CR700 receiver)	\$2,733.00
6688806	TRIPOD	\$273.00
7160486	LASER RECEIVER, BLR2 (Must order 1 for use with laser kit) (For use with Laser Box Blade S/N 657500370 and above). (May also need a laser transmitter and tripod—unless customer has this equipment.) (The laser receivers will work with most rotating laser transmitters.	\$2,141.00

DESTINATION CHARGE/FUEL SURCHARGE
 Refer to BobQuote or BobcatNET>>Other Resources>>Pricing Homepage for current Destination and Fuel Charges.

ATTACHMENT	ASSEMBLY REQUIRED	INSTALLATION TIME (HOURS)
Box Blade.....	Install cylinder pin.....	.25
Box Blade with Laser Receiver.....	Install cylinder pin.....	.25



QUICK SPECS

Operating Weight	1384 lb (628 kg)
Box Height	19.0 in (483 mm)
Front Box Capacity	7.0 ft ³ (0.48.m ³)
Rear Box Capacity	10.0 ft ³ (0.28 m ³)
Unit Height	46.0 in (1168 mm)
Unit Length	62.0 in (1575 mm)
Working Width	84.0 in (2134 mm)
Minimum Flow	5.0 gpm (19 lpm)
Maximum Flow	40.0 gpm (151 lpm)

PART NUMBER	ATTACHMENT DESCRIPTION	SLP IN US \$
-------------	------------------------	--------------

(S550, S570, S590, S595, S630, S650, S740, S750, S770, S850) (S62, S64, S66, S76)		
(A770) (T550, T590, T595, T630, T650, T740, T750, T770, T870) (T62, T64, T66, T76)		
7357063	84" HD BOX BLADE.....	\$16,258.00
(Approved for use only on BICS loaders.) (Includes integrated laser control) (May also need laser transmitter and tripod—unless customer has this equipment.) (The laser receivers will work with most rotating laser beacons) (Loader must be equipped with an Attachment Control Kit) (If installing on loader with 14-Pin Attachment Control, must also order 14-Pin Attachment T-Harness P/N 7164095)		

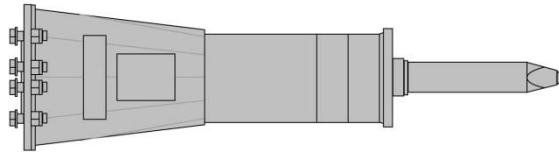
PART NUMBER	DEALER INSTALLED ACCESSORIES – ORDER FROM SALES DESCRIPTION	SLP IN US \$
-------------	---	--------------

7275232	LASER TRANSMITTER, DUAL SLOPE..... (Trimble GL422N; includes CR700 receiver)	\$2,733.00
6688806	TRIPOD.....	\$273.00
7160486	LASER RECEIVER, BLR2 Includes 1 BLR2 receiver and case. (Must order 2 for use with laser kit) . (May also need a laser transmitter and tripod—unless customer has this equipment). (The laser receivers will work with most rotating laser transmitters).	\$2,141.00
7370490	LASER RECEIVER MOUNT KIT Includes 2 poles and receiver harnesses. (Required for Laser Grading System).	\$787.00
7370491	3D READY SENSOR KIT..... (Includes: AS400 Slope Sensor, Bracket, and Harness. For use with the 3D Grading System). (Not needed if using Dual GPS).	\$2,667.00
7370492	3D KIT..... (Mount Kit for 3D Radio and Quick Disconnects for GPS and UTS 3D Grading System)	\$117.00

Parts Needed to Equip Bobcat Graders and Boxblades with Guidance Systems

	2D Laser Grading	3D Dual GPS	3D Single GPS	3D UTS	Sonic & Slope	SITECH dealer needed for setup
Box Blade	Not Compatible	Not Compatible	Not Compatible	Not Compatible	Not Compatible	Not Compatible
Box Blade w/Laser	Quantity: 1 BLR2 Laser Reciever - 7160486	Not Compatible	Not Compatible	Not Compatible	Not Compatible	Not Compatible
84" Grader	Laser Mounting Kit - 7164094 Quantity: 2 BLR2 Laser Recievers - 7160486	Not Compatible	Not Compatible	Not Compatible	Not Compatible	Not Compatible
96" & 108" HD Grader	Laser Mounting Kit - 7177685 Quantity: 2 BLR2 Laser Recievers - 7160486	3D Harness Kit - 7276541	3D Sensor Kit - 7276540 3D Mounting Kit - 7306968 3D Harness Kit - 7276541	3D Sensor Kit - 7276540 3D Mounting Kit - 7306968 3D Harness Kit - 7276541	Sonic Tracer & Slope Sensor Package - 7023454 Sonic Tracer & Slope Mounting Kit - 7211624	Yes for 3D Grading system System's (3D Single GPS, 3D Dual GPS and 3D UTS)
HD Box Blade	Laser Mounting Kit - 7370490 Quantity:2 BLR2 Laser Recievers - 7160486	3D Harness Kit - 7276541	3D Sensor Kit - 7370491 3D Mounting Kit - 7370492	3D Sensor Kit - 7370491 3D Mounting Kit - 7370492	Not Compatible	Yes for 3D Grading system System's (3D Single GPS, 3D Dual GPS and 3D UTS)

Tripod - 6688806	Needed for all Laser guidance systems if customer does not have these items
Laser Transmitter Dual Slope - 7275232	



QUICK SPECS

	<u>HB680</u>	<u>HB880</u>	<u>HB980</u>
Operating Weight (nail point/loader frame).....	436 lbs.	681 lbs.	756 lbs.
Operating Weight (nail point/Loader X-Change frame) .	483 lbs.	689 lbs.	764 lbs.
Impact Energy Class.....	150 ft. lb.	300 ft. lb.	500 ft. lb.
CIMA Tool Energy Rating.....	143 ft. lb.	207 ft. lb.	282 ft. lb.
Blows per Minute	1340 @ 13 gpm	1310 @ 17 gpm	1450 @ 21 gpm
Flow Requirements.....	7-13 gpm	8-17 gpm	12-21 gpm
Tool Working Length.....	13.0"	13.0"	14.0"
Tool Diameter.....	2.2"	2.6"	2.8"
<i>Estimated Breaker Performance with Concrete</i>			
Recommended Working Thickness...	2 - 4"	4 - 10"	6 - 14"
Demolished Volume per Hour			
Non-Reinforced Concrete.....	1 - 4 cu. yd	4 - 12 cu. yd	5 - 15 cu. yd
Reinforced Concrete.....	1 - 3 cu. yd	1 - 4 cu. yd	2 - 6 cu. yd
	<u>HB1180</u>	<u>HB1380</u>	<u>HB2380</u>
Operating Weight (nail point/loader frame).....	939 lbs.	1129 lbs.	1183 lbs.
Operating Weight (nail point/Loader X-Change frame) .	N/A	N/A	N/A
Impact Energy Class.....	750 ft. lb.	850 ft. lb.	1000 ft. lb.
CIMA Tool Energy Rating.....	384 ft. lb.	515 ft. lb.	700 ft. lb.
Blows per Minute	1280 @ 26 gpm	1230 @ 32 gpm	910 @ 33 gpm
Flow Requirements.....	15-26 gpm	17-32 gpm	20-33 gpm
Tool Working Length.....	16.0"	17.0"	18.0"
Tool Diameter.....	3.0"	3.4"	3.8"
<i>Estimated Breaker Performance with Concrete</i>			
Recommended Working Thickness...	8 - 16"	10 - 18"	12 - 20"
Demolished Volume per Hour			
Non-Reinforced Concrete.....	6 - 15 cu. yd	8 - 18 cu. yd	10 - 20 cu. yd
Reinforced Concrete.....	2 - 7 cu. yd	3 - 8 cu. yd	4 - 9 cu. yd

PART		ATTACHMENT	
NUMBER	DESCRIPTION		SLP IN US \$

(MT50, MT52, MT55, MT85, MT100) (S70)(L23,L28)

7113419	HB680 BREAKER (Includes Nail Point, fixing cap bolts, cradle, isolation mount, gauge tool, retainer clip and hose protector) (Must also order Loader Mounting Frame and Hose Kit) (Special Applications Kit must be used when operating a Hydraulic Breaker) (When installing on MT50, must also order Shutdown Kit, p/n 6735945)	\$4,655.00
---------	---	------------

PART		DEALER INSTALLED ACCESSORIES – ORDER FROM SALES	
NUMBER	DESCRIPTION		SLP IN US \$

Mounting Frames –HB680

7113736	BOB-TACH LOADER MOUNTING FRAME (Must also order a hose kit, P/N 6727411)	\$662.00
7272954	BREAKER FRAME CII, MT85, MT100 (Must also order a hose kit, P/N 6727411)	\$679.00
7150181	LOADER X-CHANGE MOUNTING FRAME (Uses X-Change pin-through design) (Must also order Breaker X-Change Mounting Cap p/n 7113656. This allows breaker with X-Change Mounting Cap to be installed on loader) (Must also order a hose kit, P/N 6727411)	\$972.00
7113656	X-CHANGE MOUNTING CAP	\$474.00

Accessories – HB680

6727411	HOSE KIT (Includes hoses and quick couplers)	\$189.00
---------	--	----------

PART		DEALER INSTALLED ACCESSORIES – ORDER FROM PARTS	
NUMBER	DESCRIPTION		

For current Dealer Installed Accessories pricing, reference BobQuote or Dealer Parts Department.

Breaker Tools – HB680

7144681	BLUNT	PARTS	\$ _____
7144676	CONICAL POINT (MOIL)	PARTS	\$ _____
7144679	CROSS CUT ASPHALT	PARTS	\$ _____
7144673	CROSS CUT CHISEL	PARTS	\$ _____
7144677	CROSS CUT WIDE CHISEL	PARTS	\$ _____
7144680	IN-LINE ASPHALT	PARTS	\$ _____
7144674	IN-LINE CHISEL	PARTS	\$ _____
7144678	IN-LINE WIDE CHISEL	PARTS	\$ _____
7149302	NAIL POINT	PARTS	\$ _____
7144682	TAMPING	PARTS	\$ _____

PART	ATTACHMENT	
NUMBER	DESCRIPTION	SLP IN US \$

(S100, S130, S150, S160, S175, S185, S205) (S450, S510, S530, S550, S570, S590, S595)
 (S62,S64, S66)
 (T110, T140, T180, T190) (T450, T550, T590, T595) (T62, T64, T66)

7113420	HB880 BREAKER (Includes Nail Point, flow control valve, fixing cap bolts, cradle, isolation mount, gauge tool, retainer clip and hose protector) (Must also order Loader Mounting Frame and Hose Kit) (Special Applications Kit must be used when operating a Hydraulic Breaker)	\$6,594.00
---------	--	-------------------

PART	DEALER INSTALLED ACCESSORIES – ORDER FROM SALES	
NUMBER	DESCRIPTION	SLP IN US \$

Mounting Frame – HB880

7113737	LOADER MOUNTING FRAME (Breaker mounting frame allows for breaking horizontal or vertical surfaces) (Must also order a hose kit, P/N 7114764)	\$704.00
7113738	HORIZONTAL LOADER MOUNTING FRAME (Recommended mounting frame for horizontal surface breaking only) (Must also order a hose kit, P/N 7114764)	\$746.00
7141800	LOADER X-CHANGE MOUNTING FRAME (Allows breaker with X-Change Mounting Cap to be installed on loader, breaker can then be used on excavator and loader. Uses X-Change pin-through design) (Breaker mounting frame allows for breaking horizontal or vertical surfaces) (Must also order Breaker X-Change Mounting Cap P/N 7113657) (Must also order a hose kit, P/N 7114764)	\$1,035.00
7113657	X-CHANGE MOUNTING CAP	\$499.00

Accessories – HB880

7114764	HOSE KIT (Ship Weight 20 lbs.)	\$215.00
---------	--	-----------------

PART	DEALER INSTALLED ACCESSORIES – ORDER FROM PARTS	
NUMBER	DESCRIPTION	

For current Dealer Installed Accessories pricing, reference BobQuote or Dealer Parts Department.

Breaker Tools – HB880

7144696	BLUNT	PARTS \$ _____
7144691	CONICAL POINT (MOIL)	PARTS \$ _____
7144694	CROSS CUT ASPHALT	PARTS \$ _____
7144688	CROSS CUT CHISEL	PARTS \$ _____
7144692	CROSS CUT WIDE CHISEL	PARTS \$ _____
7144695	IN-LINE ASPHALT	PARTS \$ _____
7144689	IN-LINE CHISEL	PARTS \$ _____
7144693	IN-LINE WIDE CHISEL	PARTS \$ _____
7144690	NAIL POINT	PARTS \$ _____
7144697	TAMPING	PARTS \$ _____

PART	ATTACHMENT	
NUMBER	DESCRIPTION	SLP IN US \$

(S100, S130, S150, S160, S175, S185, S205) (S450, S510, S530, S550, S570, S590, S595, S630*, S650*, S740*, S750*, S770*) (A770*) (S62, S64, S66, S76)
 (T110, T140, T180, T190) (T450, T550, T590, T595, T630*, T650*, T740*, T750*, T770*)
 (T62, T64, T66, T76)

7113421 HB980 BREAKER..... \$8,260.00
 (Includes Nail Point, flow control valve, fixing cap bolts, cradle, isolation mount, gauge tool, retainer clip and hose protector) (Must also order Loader Mounting Frame and Hose Kit) (Special Applications Kit must be used when operating a Hydraulic Breaker)

*May need to order Flow Control Valve Kit for M-Series, see below for details

PART	DEALER INSTALLED ACCESSORIES – ORDER FROM SALES	
NUMBER	DESCRIPTION	SLP IN US \$

Mounting Frame –HB980

7113737 LOADER MOUNTING FRAME \$704.00
 (Breaker mounting frame allows for breaking horizontal or vertical surfaces.)
 (Must also order a hose kit, P/N 7114764)

7113738 HORIZONTAL LOADER MOUNTING FRAME \$746.00
 (Recommended mounting frame for horizontal surface breaking only)
 (Must also order a hose kit, P/N 7114764)

7141800 LOADER X-CHANGE MOUNTING FRAME \$1,035.00
 (Allows breaker with X-Change Mounting Cap to be installed on loader, breaker can then be used on excavator and loader. Uses X-Change pin-through design)
 (Breaker mounting frame allows for breaking horizontal or vertical surfaces)
 (Must also order Breaker X-Change Mounting Cap P/N 7113657)
 (Must also order a hose kit, P/N 7114764)

7113657 X-CHANGE MOUNTING CAP..... \$499.00

Accessories –HB980

7114764 HOSE KIT \$211.00

PART	DEALER INSTALLED ACCESSORIES – ORDER FROM PARTS	
NUMBER	DESCRIPTION	

For current Dealer Installed Accessories pricing, reference BobQuote or Dealer Parts Department.

7177744 FLOW CONTROL VALVE KIT, FOR M-SERIES PARTS \$ _____
 (Required for use with S630-T770 M-Series Loaders) (Standard on new breakers starting 1 June 09)

Breaker Tools –HB980

7144707 BLUNT PARTS \$ _____

7144702 CONICAL POINT (MOIL) PARTS \$ _____

7144705 CROSS CUT ASPHALT PARTS \$ _____

7144699 CROSS CUT CHISEL PARTS \$ _____

7144703 CROSS CUT WIDE CHISEL PARTS \$ _____

7144706 IN-LINE ASPHALT..... PARTS \$ _____

7144700 IN-LINE CHISEL..... PARTS \$ _____

7144704 IN-LINE WIDE CHISEL PARTS \$ _____

7144701 NAIL POINT PARTS \$ _____

7144708 TAMPING..... PARTS \$ _____

PART	ATTACHMENT	
NUMBER	DESCRIPTION	SLP IN US \$

(S630, S650, S740, S750, S770, S850) (S76) (A770) (T630, T650, T740, T750, T770, T870) (T76)

7115923	HB1180 BREAKER (Includes Nail Point, fixing cap bolts, cradle, isolation mount, gauge tool, retainer clip and hose protector) (Must also order Loader Mounting Frame and Hose Kit) (Special Applications Kit must be used when operating a Hydraulic Breaker)	\$10,860.00
---------	--	--------------------

PART	DEALER INSTALLED ACCESSORIES – ORDER FROM SALES	
NUMBER	DESCRIPTION	SLP IN US \$

Mounting Frame –HB1180

7115937	LOADER MOUNTING FRAME (Breaker mounting frame allows for breaking horizontal or vertical surfaces.) (Must also order a hose kit, P/N 7114764)	\$804.00
---------	--	-----------------

Accessories –HB1180

7114764	HOSE KIT	\$215.00
---------	-----------------------	-----------------

PART	DEALER INSTALLED ACCESSORIES – ORDER FROM PARTS	
NUMBER	DESCRIPTION	

For current Dealer Installed Accessories pricing, reference BobQuote or Dealer Parts Department.

Breaker Tools –HB1180

7144718	BLUNT	PARTS \$ _____
7144713	CONICAL POINT (MOIL)	PARTS \$ _____
7144716	CROSS CUT ASPHALT	PARTS \$ _____
7144714	CROSS CUT WIDE CHISEL	PARTS \$ _____
7144717	IN-LINE ASPHALT	PARTS \$ _____
7144711	IN-LINE CHISEL	PARTS \$ _____
7144712	NAIL POINT	PARTS \$ _____
7144719	TAMPING	PARTS \$ _____
7144715	IN-LINE WIDE CHISEL	PARTS \$ _____

PART	ATTACHMENT	
NUMBER	DESCRIPTION	SLP IN US \$

(S740, S750, S770, S850) (A770) (T740, T750, T770, T870)

7157576	HB1380 BREAKER (Includes Nail Point, fixing cap bolts, cradle, isolation mount, gauge tool, retainer clip and hose protector) (Must also order Loader Mounting Frame and Hose Kit) (Special Applications Kit must be used when operating a Hydraulic Breaker)	\$13,477.00
---------	--	--------------------

PART	DEALER INSTALLED ACCESSORIES – ORDER FROM SALES	
NUMBER	DESCRIPTION	SLP IN US \$

Mounting Frame –HB1380

7115937	LOADER MOUNTING FRAME (Breaker mounting frame allows for breaking horizontal or vertical surfaces.) (Must also order a hose kit, P/N 7114764)	\$804.00
---------	--	-----------------

Accessories – HB1380

7114764	HOSE KIT	\$215.00
---------	-----------------------	-----------------

PART	DEALER INSTALLED ACCESSORIES – ORDER FROM PARTS	
NUMBER	DESCRIPTION	

For current Dealer Installed Accessories pricing, reference BobQuote or Dealer Parts Department.

Breaker Tools – HB1380

7163375	BLUNT	PARTS \$ _____
7163370	CONICAL POINT (MOIL)	PARTS \$ _____
7163373	CROSS CUT ASPHALT	PARTS \$ _____
7163367	CROSS CUT CHISEL	PARTS \$ _____
7163371	CROSS CUT WIDE CHISEL	PARTS \$ _____
7163374	IN-LINE ASPHALT	PARTS \$ _____
7163368	IN-LINE CHISEL	PARTS \$ _____
7163369	NAIL POINT	PARTS \$ _____
7163372	WIDE CHISEL	PARTS \$ _____

PART		ATTACHMENT	
NUMBER	DESCRIPTION		SLP IN US \$

(S740, S750, S770, S850) (A770) (T740, T750, T770, T870)

7133203	HB2380 BREAKER		\$16,561.00
	(Includes Nail Point, fixing cap bolts, cradle, isolation mount, and hose protector)		
	(Must also order Loader Mounting Frame and Hose Kit)		
	(Special Applications Kit must be used when operating a Hydraulic Breaker)		

PART		DEALER INSTALLED ACCESSORIES – ORDER FROM SALES	
NUMBER	DESCRIPTION		SLP IN US \$

Mounting Frames –HB2380

7115937	LOADER MOUNTING FRAME		\$804.00
	(Breaker mounting frame allows for breaking horizontal or vertical surfaces.)		
	(Must also order a hose kit, P/N 7114764)		

Accessories – HB2380

7141851	AUTO-GREASE KIT		\$1,901.00
7114764	HOSE KIT		\$215.00

PART		DEALER INSTALLED ACCESSORIES – ORDER FROM PARTS	
NUMBER	DESCRIPTION		

For current Dealer Installed Accessories pricing, reference BobQuote or Dealer Parts Department.

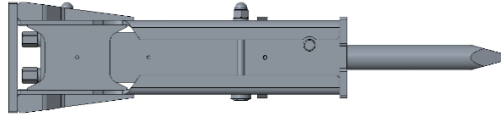
Breaker Tools – HB2380

7144728	BLUNT	PARTS	\$ _____
7144723	CONICAL POINT (MOIL)	PARTS	\$ _____
7144726	CROSS CUT ASPHALT	PARTS	\$ _____
7144720	CROSS CUT CHISEL	PARTS	\$ _____
7144724	CROSS CUT WIDE CHISEL	PARTS	\$ _____
7144727	IN-LINE ASPHALT	PARTS	\$ _____
7144721	IN-LINE CHISEL	PARTS	\$ _____
7144722	NAIL POINT	PARTS	\$ _____
7144725	WIDE CHISEL	PARTS	\$ _____

DESTINATION CHARGE/FUEL SURCHARGE	
Refer to BobQuote or BobcatNET>>Other Resources>>Pricing Homepage for current Destination and Fuel Charges.	

ASSEMBLY REQUIRED		INSTALLATION
ATTACHMENT		TIME (HOURS)

Special Applications Kit	Install Kit	2.00
HB2380	Install grease kit on HB2380	1.00



QUICK SPECS

	<u>NB140</u>	<u>NB150</u>	<u>NB160</u>
Operating Weight (nail point/loader frame).....	463 lbs.	695 lbs.	912 lbs.
Operating Weight (nail point/Loader X-Change frame) .	509 lbs.	703 lbs.	920 lbs.
Impact Energy Class.....	350 ft. lb.	550 ft. lb.	900 ft. lb.
AEM Tool Energy Rating.....	243 ft. lb.	303 ft. lb.	592 ft. lb.
Blows per Minute	1022 @ 13.2 gpm	1075 @ 20.4 gpm	979 @ 23.3 gpm
Flow Requirements.....	7-13 gpm	13-20 gpm	13-24 gpm
Tool Working Length	14.6"	13.0"	18.4"
Tool Diameter.....	2.2"	2.6"	2.8"
<i>Estimated Breaker Performance with Concrete</i>			
Recommended Working Thickness...	1 - 5"	6 - 15"	10 - 20"
Demolished Volume per Hour			
Non-Reinforced Concrete.....	1 - 4 cu. yd	4 - 15 cu. yd	6 - 20 cu. yd
Reinforced Concrete	1 - 4 cu. yd	1 - 6 cu. yd	3 - 8 cu. yd
	<u>NB170</u>	<u>NB180</u>	
Operating Weight (nail point/loader frame).....	1275 lbs.	1395 lbs.	
Operating Weight (nail point/Loader X-Change frame) .	N/A	N/A	
Impact Energy Class.....	1200 ft. lb.	1500 ft. lb.	
AEM Tool Energy Rating.....	759 ft. lb.	996 ft. lb.	
Blows per Minute	965 @ 21.9 gpm	1000 @ 29 gpm	
Flow Requirements.....	11-24 gpm	15-30 gpm	
Tool Working Length	21.9"	22.7"	
Tool Diameter.....	3.2"	3.7"	
<i>Estimated Breaker Performance with Concrete</i>			
Recommended Working Thickness...	12 - 22"	14 - 24"	
Demolished Volume per Hour			
Non-Reinforced Concrete.....	8 - 20 cu. yd	11 - 25 cu. yd	
Reinforced Concrete	4 - 10 cu. yd	5 - 16 cu. yd	

PART	ATTACHMENT	SLP IN US \$
NUMBER	DESCRIPTION	

(MT50, MT52, MT55, MT85, MT100) (S70)(L23,L28)

7355666	NB140 BREAKER (Includes Nail Point & fixing cap bolts) (Must also order Loader Mounting Frame and Hose Kit) (Special Applications Kit must be used when operating a Hydraulic Breaker) (When installing on MT50, must also order Shutdown Kit, p/n 6735945)	\$3,669.00
---------	---	-------------------

PART	DEALER INSTALLED ACCESSORIES – ORDER FROM SALES	SLP IN US \$
NUMBER	DESCRIPTION	

Mounting Frames –NB140

7113736	BOB-TACH LOADER MOUNTING FRAME..... (Must also order a hose kit, P/N 6727411)	\$662.00
7272954	BREAKER FRAME CII, MT85, MT100..... (Must also order a hose kit, P/N 6727411)	\$679.00
7150181	LOADER X-CHANGE MOUNTING FRAME (Uses X-Change pin-through design) (Must also order Breaker X-Change Mounting Cap p/n 7113656. This allows breaker with X-Change Mounting Cap to be installed on loader) (Must also order a hose kit, P/N 6727411)	\$972.00
7113656	X-CHANGE MOUNTING CAP.....	\$483.00

Accessories – NB140

6727411	HOSE KIT (Includes hoses and quick couplers)	\$189.00
---------	--	-----------------

PART	DEALER INSTALLED ACCESSORIES – ORDER FROM PARTS	
NUMBER	DESCRIPTION	

For current Dealer Installed Accessories pricing, reference BobQuote or Dealer Parts Department.

Breaker Tools – NB140

7357286	CONICAL POINT (MOIL)	PARTS	\$ _____
7357288	CROSS CUT CHISEL.....	PARTS	\$ _____
7357287	IN-LINE CHISEL.....	PARTS	\$ _____
7357285	NAIL POINT.....	PARTS	\$ _____

PART	ATTACHMENT	
NUMBER	DESCRIPTION	SLP IN US \$

(S100, S130, S150, S160, S175, S185, S205) (S450, S510, S530, S550, S570, S590, S595)
 (S62, S64, S66)

(T110, T140, T180, T190) (T450, T550, T590, T595) (T62, T64, T66)

7234534 NB150 BREAKER \$4,873.00
 (Includes Nail Point & fixing cap bolts) (Must also order Loader Mounting Frame and Hose Kit)
 (Special Applications Kit must be used when operating a Hydraulic Breaker)

PART	DEALER INSTALLED ACCESSORIES – ORDER FROM SALES	
NUMBER	DESCRIPTION	SLP IN US \$

Mounting Frame – NB150

7113737 LOADER MOUNTING FRAME \$704.00
 (Breaker mounting frame allows for breaking horizontal or vertical surfaces)
 (Must also order a hose kit, P/N 7114764)

7113738 HORIZONTAL LOADER MOUNTING FRAME \$746.00
 (Recommended mounting frame for horizontal surface breaking only)
 (Must also order a hose kit, P/N 7114764)

7141800 LOADER X-CHANGE MOUNTING FRAME \$1,035.00
 (Allows breaker with X-Change Mounting Cap to be installed on loader, breaker can then be
 used on excavator and loader. Uses X-Change pin-through design)
 (Breaker mounting frame allows for breaking horizontal or vertical surfaces)
 (Must also order Breaker X-Change Mounting Cap P/N 7113657)
 (Must also order a hose kit, P/N 7114764)

7113657 X-CHANGE MOUNTING CAP \$499.00

Accessories – NB150

7114764 HOSE KIT \$215.00
 (Ship Weight 20 lbs.)

PART	DEALER INSTALLED ACCESSORIES – ORDER FROM PARTS	
NUMBER	DESCRIPTION	

For current Dealer Installed Accessories pricing, reference BobQuote or Dealer Parts Department.

Water Kit

NOTE: Water Kits are available for use with the NB Breaker attachments – see Water Kit page for details.

Breaker Tools – NB150

7357294 BLUNT PARTS \$ _____
 7357291 CONICAL POINT (MOIL) PARTS \$ _____
 7357923 CROSS CUT CHISEL PARTS \$ _____
 7357292 IN-LINE CHISEL PARTS \$ _____
 7357290 NAIL POINT PARTS \$ _____

PART NUMBER	ATTACHMENT DESCRIPTION	SLP IN US \$
----------------	---------------------------	--------------

(S100, S130, S150, S160, S175, S185, S205)
 (S450, S510, S530, S550, S570, S590, S595, S630, S650, S740, S750, S770) (S62, S64, S66, S76)
 (A770)
 (T110, T140, T180, T190) (T450, T550, T590, T595, T630, T650, T740, T750, T770)
 (T62, T64, T66, T76)

7234536 NB160 BREAKER \$6,104.00
 (Includes Nail Point, & fixing cap bolts) (Must also order Loader Mounting Frame and Hose Kit)
 (Special Applications Kit must be used when operating a Hydraulic Breaker)

PART NUMBER	DEALER INSTALLED ACCESSORIES – ORDER FROM SALES DESCRIPTION	SLP IN US \$
----------------	--	--------------

Mounting Frame –NB160

7113737 LOADER MOUNTING FRAME \$704.00
 (Breaker mounting frame allows for breaking horizontal or vertical surfaces.)
 (Must also order a hose kit, P/N 7114764)

7113738 HORIZONTAL LOADER MOUNTING FRAME \$746.00
 (Recommended mounting frame for horizontal surface breaking only)
 (Must also order a hose kit, P/N 7114764)

7141800 LOADER X-CHANGE MOUNTING FRAME \$1,035.00
 (Allows breaker with X-Change Mounting Cap to be installed on loader, breaker can then be
 used on excavator and loader. Uses X-Change pin-through design)
 (Breaker mounting frame allows for breaking horizontal or vertical surfaces)
 (Must also order Breaker X-Change Mounting Cap P/N 7113657)
 (Must also order a hose kit, P/N 7114764)

7113657 X-CHANGE MOUNTING CAP..... \$499.00

Accessories –HB980

7114764 HOSE KIT \$215.00

PART NUMBER	DEALER INSTALLED ACCESSORIES – ORDER FROM PARTS DESCRIPTION
----------------	--

For current Dealer Installed Accessories pricing, reference BobQuote or Dealer Parts Department.

Water Kit

NOTE: Water Kits are available for use with the NB Breaker attachments – see Water Kit page for details.

Breaker Tools –NB160

7357299 BLUNT PARTS \$ _____

7357298 CONICAL POINT (MOIL) PARTS \$ _____

7357295 CROSS CUT CHISEL..... PARTS \$ _____

7357302 IN-LINE CHISEL..... PARTS \$ _____

7357297 NAIL POINT..... PARTS \$ _____

PART	ATTACHMENT	
NUMBER	DESCRIPTION	SLP IN US \$

(S740, S750, S770, S850) (A770) (T740, T750, T770, T870)

7355672	NB170 BREAKER (Includes Nail Point & fixing cap bolts) (Must also order Loader Mounting Frame and Hose Kit) (Special Applications Kit must be used when operating a Hydraulic Breaker)	\$9,294.00
---------	--	-------------------

PART	DEALER INSTALLED ACCESSORIES – ORDER FROM SALES	
NUMBER	DESCRIPTION	SLP IN US \$

Mounting Frame –NB170

7115937	LOADER MOUNTING FRAME (Breaker mounting frame allows for breaking horizontal or vertical surfaces.) (Must also order a hose kit, P/N 7114764)	\$804.00
---------	--	-----------------

Accessories – NB170

7114764	HOSE KIT	\$215.00
---------	-----------------------	-----------------

PART	DEALER INSTALLED ACCESSORIES – ORDER FROM PARTS	
NUMBER	DESCRIPTION	

For current Dealer Installed Accessories pricing, reference BobQuote or Dealer Parts Department.

Water Kit

NOTE: Water Kits are available for use with the NB Breaker attachments – see Water Kit page for details.

Breaker Tools – NB170

7357306	CONICAL POINT (MOIL)	PARTS	\$ _____
7357303	CROSS CUT CHISEL	PARTS	\$ _____
7357302	IN-LINE CHISEL	PARTS	\$ _____
7357300	NAIL POINT	PARTS	\$ _____

PART	ATTACHMENT	
NUMBER	DESCRIPTION	SLP IN US \$

(S740, S750, S770, S850) (A770) (T740, T750, T770, T870)

7355674	NB180 BREAKER \$10,605.00 (Includes Nail Point & fixing cap bolts) (Must also order Loader Mounting Frame and Hose Kit) (Special Applications Kit must be used when operating a Hydraulic Breaker)	
---------	--	--

PART	DEALER INSTALLED ACCESSORIES – ORDER FROM SALES	
NUMBER	DESCRIPTION	SLP IN US \$

Mounting Frames – NB180

7115937	LOADER MOUNTING FRAME \$804.00 (Breaker mounting frame allows for breaking horizontal or vertical surfaces.) (Must also order a hose kit, P/N 7114764)	
---------	---	--

Accessories – NB180

7114764	HOSE KIT \$215.00	
---------	--------------------------------	--

PART	DEALER INSTALLED ACCESSORIES – ORDER FROM PARTS	
NUMBER	DESCRIPTION	

For current Dealer Installed Accessories pricing, reference BobQuote or Dealer Parts Department.

Water Kit

NOTE: Water Kits are available for use with the NB Breaker attachments – see Water Kit page for details.

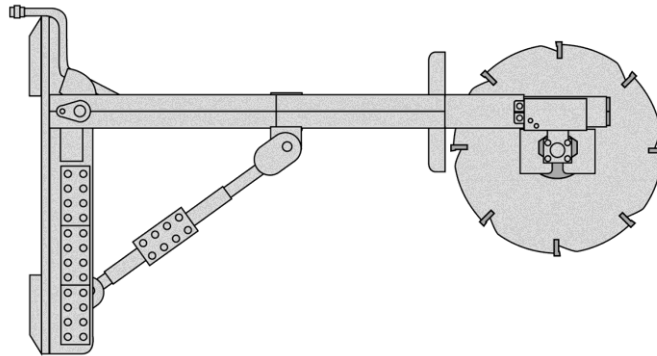
Breaker Tools – NB180

7357306	CONICAL POINT (MOIL) PARTS \$ _____	
7357308	CROSS CUT CHISEL PARTS \$ _____	
7357307	IN-LINE CHISEL PARTS \$ _____	
7357305	NAIL POINT PARTS \$ _____	

DESTINATION CHARGE/FUEL SURCHARGE
Refer to BobQuote or BobcatNET>>Other Resources>>Pricing Homepage for current Destination and Fuel Charges.

ATTACHMENT	ASSEMBLY REQUIRED	INSTALLATION TIME (HOURS)
------------	-------------------	---------------------------

Special Applications Kit.....	Install Kit	2.00
-------------------------------	-------------------	------



Top View

QUICK SPECS

Operating Weight.....	590 lbs.
Number of Cutting Teeth	15
Tip Speed Cutting Teeth	3256 ft./min @ 24 gpm
Disc RPM @ 22 gpm	400 RPM
Flow Range	15 – 23 gpm
Cutting Wheel (Disc) Diameter	28.5"
Overall Width.....	48.0"
Overall Length	85.0"
Overall Height.....	29.5"

PART NUMBER	ATTACHMENT DESCRIPTION	SLP IN US \$
-------------	------------------------	--------------

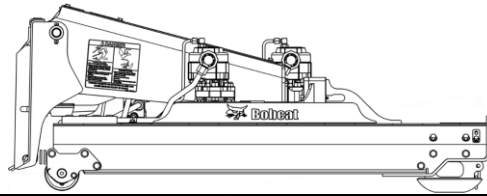
(S100, S130, S150, S160, S175, S185, S205) (S450, S510, S530, S550, S570, S590, S595, S630, S650, S740, S750, S770, S850) (S62, S64, S66, S76) (A770) (T110, T140, T180, T190) (T450, T550, T590, T595, T630, T650, T740, T750, T770, T870) (T62, T64, T66, T76)		
7121030	BRUSH SAW (Special Applications kit must be installed on loader when operating Brush Saw)	\$7,061.00

DESTINATION CHARGE/FUEL SURCHARGE

Refer to BobQuote or BobcatNET>>Other Resources>>Pricing Homepage for current Destination and Fuel Charges.

ATTACHMENT	ASSEMBLY REQUIRED	INSTALLATION TIME (HOURS)
------------	-------------------	---------------------------

Brush Saw.....	None.....	-
----------------	-----------	---



QUICK SPECS

	<u>RC66</u>	<u>RC66HF</u>	<u>RC72</u>	<u>RC72HF</u>	<u>RC80HF</u>
Operating Weight	1437 lbs.	1437 lbs.	1500 lbs.	1500 lbs.	1581 lbs.
Hydraulic Flow Range.....	15-24 gpm	24-36 gpm	15-26 gpm	24-40 gpm	24-40 gpm
Blade Tip Speed.....	11,399	11,394	9,922	9,922	10,932
(Minimum Flow / ft./min)					
Blade Tip Speed.....	18,238	17,064	17,197	16,536	18,219
(Maximum Flow / ft./min)					
Cutting Width	66"	66"	72"	72"	80"
Cutting Height	3"	3"	3"	3"	3"
Deck Length	61.1"	61.1"	64.3"	64.3"	67.7"
Vertical Travel.....	8"	8"	8"	8"	8"
Overall Width	70.3"	70.3"	76.3"	76.3"	84.3"
Overall Height	26.5"	26.5"	26.5"	26.5"	26.5"
Overall Length.....	67.2"	67.2"	70.4"	70.4"	73.8"
Cutting Capacity	Brush material up to 3 in. in diameter for all models				

PART	ATTACHMENT	SLP IN US \$
NUMBER	DESCRIPTION	

(S130, S150, S160, S175, S185, S205) (S450, S510, S530, S550, S570, S590, S595) (S62, S64, S66)
 (T140, T180, T190) (T450, T550, T590, T595) (T62, T64, T66)

7234049 RC66 BRUSHCAT ROTARY CUTTER **\$6,656.00**
 (Comes with 3" Offset Blades and Front Discs Assembled) (Cutting height of 3")

(S160H, S175H, S185H, S205H) (S550H, S570H, S590H, S595H) (S62H, S64H, S66H) (T180H, T190H) (T550H, T590H, T595H) (T62H, T64H, T66H)

7233014 RC66HF BRUSHCAT ROTARY CUTTER..... **\$7,467.00**
 (Comes with 3" Offset Blades and Front Discs Assembled) (Cutting height of 3")

(S185, S205) (S510, S530, S550, S570, S590, S595, S630, S650, S740, S750, S770, S850)
 (S62, S64, S66, S76)
 (T550, T590, T595, T630, T650, T740, T750, T770, T870) (T76) (T180, T190) (T62, T64, T66, T76)
 (A770)

7218087 RC72 BRUSHCAT ROTARY CUTTER **\$6,991.00**
 (Comes with 3" Offset Blades and Front Discs Assembled) (Cutting height of 3")

(S185H, S205H) (S550H, S570H, S590H, S595H, S630H, S650H, S740H, S750H, S770H, S850H)
 (S62H, S64H, S66H, S76H) (T180H, T190H) (T550H, T590H, T595H, T630H, T650H, T740H, T750H, T770H, T870H) (A770H) (T62H, T64H, T66H, T76H)

7233002 RC72HF BRUSHCAT ROTARY CUTTER..... **\$7,658.00**
 (Comes with 3" Offset Blades and Front Discs Assembled) (Cutting height of 3")

(S630H, S650H, S740H, S750H, S770H, S850H) (S76H) (T630H, T650H, T740H, T750H, T770H, T870H) (A770H) (T76H)

7233092 RC80HF BRUSHCAT ROTARY CUTTER..... \$8,159.00
 (Comes with 3" Offset Blades and Front Discs Assembled) (Cutting height of 3")

PART NUMBER	DEALER INSTALLED ACCESSORIES – ORDER FROM PARTS DESCRIPTION
-------------	---

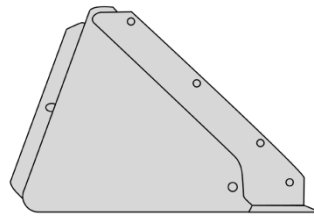
For current Dealer Installed Accessories pricing, reference BobQuote or Dealer Parts Department.

7242262	4" CUTTING HEIGHT BLADES KIT	PARTS	\$ _____
	(For 66" Rotary Cutter) (Includes (4) Blades and Mounting Hardware)		
7242263	4" CUTTING HEIGHT BLADES KIT	PARTS	\$ _____
	(For 72" Rotary Cutter) (Includes (4) Blades and Mounting Hardware)		
7242264	4" CUTTING HEIGHT BLADES KIT	PARTS	\$ _____
	(For 80" Rotary Cutter) (Includes (4) Blades and Mounting Hardware)		
7242261	FRONT ROLLER KIT	PARTS	\$ _____
7244897	MOTOR COVER KIT	PARTS	\$ _____
	(Requires (8) bolts P/N 84G3716 to install the covers onto the Rotary Cutter) (Please see installation instructions on BASSII)		

DESTINATION CHARGE/FUEL SURCHARGE
Refer to BobQuote or BobcatNET>>Other Resources>>Pricing Homepage for current Destination and Fuel Charges.

ATTACHMENT	ASSEMBLY REQUIRED	INSTALLATION TIME (HOURS)
------------	-------------------	---------------------------

Brushcat Rotary Cutter	None.....	-
Blade Kits	Install blades.....	1.5
Front Roller Kit	Install rollers.....	1.0
Motor Cover Kit	Install covers.....	0.5



PART NUMBER	ATTACHMENT DESCRIPTION	SAE HEAPED	OPER.	SLP IN US \$
		CAPACITY (FT ³)	WGT.	
(MT50, MT52, MT55, MT85, MT100)(L23,L28)				
6731520	36" CONSTR./IND. BUCKET ♦ 4.0 (Not approved for use with 32" Utility Grapple, P/N 6728117)	4.0	167	\$566.00
7117432	36" DIRT BUCKET ♦ 4.7 (Not approved for use with 32" Utility Grapple, P/N 6728117)	4.7	168	\$540.00
7117433	44" DIRT BUCKET ♦ 5.8	5.8	188	\$572.00
7114488	36" GENERAL PURPOSE BUCKET ♦ 6.0 (For use with 32" Utility Grapple, P/N 7125370)	6.0	185	\$571.00
7272912	BUCKET GP 36" CII, MT85, MT100 ♦ 6.0 (For use with 32" Utility Grapple, P/N 7125370)	6.0	185	\$571.00
7114581	44" GENERAL PURPOSE BUCKET ♦ 7.4 (For use with 32" Utility Grapple, P/N 7125370)	7.4	207	\$603.00
(L23,L28)(MT 85, MT100)(S70)				
7387672	44" SAL UTILITY BUCKET ♦ 8.1	8.1	232	\$617.00
(L23,L28)				
7387673	54" SAL UTILITY BUCKET ♦ 10.0	10.0	272	\$697.00
7387674	60" SAL UTILITY BUCKET ♦ 11.1	11.1	293	\$748.00
(S70, MT85, MT100)(L23,L28)				
7117432	36" DIRT BUCKET ♦ 4.7	4.7	168	\$540.00
7117433	44" DIRT BUCKET ♦ 5.8	5.8	188	\$571.00
7114488	36" GENERAL PURPOSE BUCKET ♦ 6.0	6.0	185	\$571.00
7114581	44" GENERAL PURPOSE BUCKET ♦ 7.4	7.4	207	\$603.00
7272919	BUCKET GP 44" CII, MT85, MT100 ♦ 7.4	7.4	207	\$603.00
7114583	50" GENERAL PURPOSE BUCKET ♦ 8.5	8.5	223	\$630.00
(S100)				
7117434	50" DIRT BUCKET ♦ 6.6	6.6	202	\$588.00
7114582	50" GENERAL PURPOSE BUCKET ♦ 8.5	8.5	223	\$630.00

△ Buckets have holes predrilled to accept bolt-on cutting edges.
 ♦ Buckets have holes predrilled to accept bolt-on cutting edges or bolt-on teeth.

Loader Bucket Matrix																				
	Standard Duty				Heavy Duty					Severe Duty				Light Material						
Width (in)	56	62	68	74	56	62	68	74	80	74	80	86	92	68	74	80	86	92	98	
Part #	7272770	7272769	7272771	7272768	7293982	7272678	7272679	7272680	7272681	7326130	7326129	7326128	7326127	7279100	7279101	7279102	7279103	7279104	7279105	
SAE Heap	10.7	12.0	13.3	14.5	13.7	15.3	16.9	18.5	20.1	23.5	24.8	26.2	27.5	24.9	27.3	29.7	32.1	50.2	53.8	
Oper. WGT	318	336	354	373	442	476	508	546	578	762	806	849	892	589	632	669	706	864	914	
SLP in US \$	\$682	\$718	\$735	\$782	\$875	\$938	\$1,035	\$1,125	\$1,225	\$1,505	\$1,622	\$1,701	\$1,806	\$1,182	\$1,251	\$1,373	\$1,463	\$1,710	\$1,907	
SSLs																				
Skid Steer Loaders (SSLs)	S450	X	X	X		X	X							X						
	S510		X	X	X		X	X	X					X	X	X	X			
	S530		X	X	X		X	X	X					X	X	X	X			
	S550		X	X	X		X	X	X					X	X	X	X			
	S570		X	X	X		X	X	X					X	X	X	X			
	S590		X	X	X		X	X	X					X	X	X	X			
	S595		X	X	X		X	X	X					X	X	X	X			
	S62			X	X			X	X					X	X	X	X			
	S64			X	X			X	X					X	X	X	X			
	S66			X	X			X	X					X	X	X	X			
	S630			X	X			X	X	X	X	X	X	X	X	X	X	X		
	S650			X	X			X	X	X	X	X	X	X	X	X	X	X		
	S76			X	X			X	X	X	X	X	X	X	X	X	X	X		
	S750							X	X	X	X	X	X	X	X	X	X	X	X	X
	S770							X	X	X	X	X	X	X	X	X	X	X	X	X
A770							X	X	X	X	X	X	X	X	X	X	X	X	X	
S850									X		X	X	X			X	X	X	X	
CTLs																				
Compact Track Loaders (CTLs)	T450	X	X	X		X	X							X						
	T550			X	X			X	X		X			X	X	X	X			
	T590			X	X			X	X		X			X	X	X	X			
	T595			X	X			X	X		X			X	X	X	X			
	T62			X	X			X	X		X			X	X	X	X			
	T64			X	X			X	X		X			X	X	X	X			
	T66			X	X			X	X		X			X	X	X	X			
	T630				X			X	X	X	X				X	X	X			
	T650				X			X	X	X	X				X	X	X			
	T76				X			X	X	X	X				X	X	X			
	T740									X	X	X	X		X	X	X	X	X	
	T770									X	X	X	X		X	X	X	X	X	
	T870											X	X				X	X	X	

Bucket Accessories																			
	Standard				Heavy Duty					Severe Duty				Light Material					
Bucket Size (in)	56	62	68	74	56	62	68	74	80	74	80	86	92	68	74	80	86	92	98
Bucket Part Number	7272770	7272769	7272771	7272768	7293982	7272678	7272679	7272680	7272681	7326130	7326129	7326128	7326127	7279100	7279101	7279102	7279103	7279104	7279105
Bolt-on Cutting Edge	7125269	6732406	7104508	7104510	7102450	6718005	6718006	6718007	6718008	6718007	6718008	7296449	7296450	6718006	6718007	6718008	7296449	7296450	7296451
Teeth	N/A				7355991, 7355992					7355991, 7355992				N/A					
Spill Guard *	N/A				N/A	7196474 *				N/A				N/A					
Corner Cutting Edge	N/A				6729084					6729084				N/A					
Utility Grapple *	N/A	7176977 *			N/A	7176977 *				N/A				N/A					
Tooth Bar	7125550	6905314	6905315	6905316	7125550	7243845	7243844	7243843	7243842	N/A				N/A					

➔ * Sold through **Sales/whole goods**.
 All other accessories are sold through **parts**.

➔ If customer wants teeth on Standard Duty or Light Material Buckets, they will have to drill through only the metal wrap that goes over cutting edge and bucket. Cutting edge has pre-drilled holes.

PART NUMBER	DESCRIPTION	ATTACHMENT	SAE HEAPED CAPACITY (FT ³)	OPER. WGT.	SLP IN US \$
----------------	-------------	------------	---	---------------	--------------

STANDARD DUTY BUCKETS

7272770	56" STANDARD DUTY BUCKET Δ.....		10.7	318	\$696.00
7272769	62" STANDARD DUTY BUCKET Δ.....		12.0	336	\$732.00
7272771	68" STANDARD DUTY BUCKET Δ.....		13.3	354	\$750.00
7272768	74" STANDARD DUTY BUCKET Δ.....		14.5	373	\$798.00

HEAVY DUTY BUCKETS

7293982	56" HEAVY DUTY BUCKET ♦		13.7	442	\$893.00
7272678	62" HEAVY DUTY BUCKET ♦		15.3	476	\$957.00
7272679	68" HEAVY DUTY BUCKET ♦		16.9	508	\$1,056.00
7272680	74" HEAVY DUTY BUCKET ♦		18.5	546	\$1,148.00
7272681	80" HEAVY DUTY BUCKET ♦		20.1	578	\$1,250.00

SEVERE DUTY BUCKETS

7326130	74" SEVERE DUTY BUCKET ♦		23.5	762	\$1,535.00
7326129	80" SEVERE DUTY BUCKET ♦		24.8	806	\$1,654.00
7326128	86" SEVERE DUTY BUCKET ♦		26.2	849	\$1,735.00
7326127	92" SEVERE DUTY BUCKET ♦		27.5	892	\$1,842.00

LIGHT MATERIAL BUCKETS

7279100	68" LIGHT MATERIAL BUCKET Δ.....		24.9	589	\$1,207.00
7279101	74" LIGHT MATERIAL BUCKET Δ.....		27.3	632	\$1,277.00
7279102	80" LIGHT MATERIAL BUCKET Δ.....		29.7	669	\$1,400.00
7279103	86" LIGHT MATERIAL BUCKET Δ.....		32.1	706	\$1,492.00
7279104	92" LIGHT MATERIAL BUCKET Δ.....		50.2	864	\$1,744.00
7279105	98" LIGHT MATERIAL BUCKET Δ.....		53.8	914	\$1,945.00

- Δ Buckets have holes predrilled to accept bolt-on cutting edges.
- ♦ Buckets have holes predrilled to accept bolt-on cutting edges or bolt-on teeth.

PART NUMBER	DEALER INSTALLED ACCESSORIES – ORDER FROM PARTS DESCRIPTION
-------------	---

For current Dealer Installed Accessories pricing, reference BobQuote or Dealer Parts Department.

Accessories for Roundback Buckets

Used with all buckets that have the ♦ symbol

6728247	7 BOLT-ON TEETH KIT, 36" MINI C/I, 36"-74" DIRT & GP..... PARTS \$ _____ (1-Piece Bolt-on Tooth Shank) (Hardware included) (When quoting, must use multiple of 7: 7x\$13.23=\$92.61)
7107319	STANDARD FORGED TOOTH POINT PARTS \$ _____ (Replacement Pin-on Tooth Point for S130-T320 Buckets) (Qty. 1)
7107317	HENSLEY FORGED TOOTH POINT PARTS \$ _____ (Replacement Pin-on Tooth Point for S130-T320, S630-T870 Buckets) (Qty. 1)
7107320	HENSLEY TIGER TOOTH POINT PARTS \$ _____ (Replacement Pin-on Tooth Point for S130- T320, S630-T870 Buckets) (Qty. 1) (It is recommended that the Hensley Twin Tiger Tooth Point (p/n 6671148) be used at each end of the bucket when using the tiger tooth points)
7107321	HENSLEY TWIN TIGER TOOTH POINT PARTS \$ _____ (Replacement Pin-on Tooth Point for S130- T320, S630-T870 Buckets) (Qty. 1)
7355991	SHORT BOLT-ON TEETH KIT PARTS \$ _____ (FOR 56 - 80" HEAVY DUTY, 74-92" SEVERE DUTY) **<u>(KIT IS 1 INDIVIDUAL TOOTH. 8 KITS = 8 INDIVIDUAL TEETH) Ex...8x\$27.85=\$222.80**</u> (THIS TOOTH KIT WILL WORK ON PREVIOUS HD CI & SD CI BUCKETS ONLY) (TOOTH ASSEMBLY INCLUDES BOLT-ON SHANK WITH PIN-ON TOOTH) (HARDWARE INCLUDED)
7355992	LONG BOLT-ON TEETH KIT PARTS \$ _____ (FOR 56 - 80" HEAVY DUTY, 74-92" SEVERE DUTY) **<u>(KIT IS 1 INDIVIDUAL TOOTH. 8 KITS = 8 INDIVIDUAL TEETH) Ex...8x\$27.85=\$222.80**</u> (THIS TOOTH KIT WILL WORK ON PREVIOUS HD CI & SD CI BUCKETS ONLY) (TOOTH ASSEMBLY INCLUDES BOLT-ON SHANK WITH PIN-ON TOOTH) (HARDWARE INCLUDED)
6729042	BOLT-ON CUTTING EDGE, 36" PARTS \$ _____ (For 36" C/I, GP, Dirt Buckets) (Hardware not included) (Estimated Install Time 1.5 hours)
6729043	BOLT-ON CUTTING EDGE, 44" PARTS \$ _____ (For 44" Dirt/GP Buckets) (Hardware not included) (Estimated Install Time 1.5 hours)
7104502	BOLT-ON CUTTING EDGE, 50" PARTS \$ _____ (For 50" Dirt/GP Buckets) (Hardware not included) (Estimated Install Time 1.5 hours)
6661451	BOLT-ON CUTTING EDGE, 54" PARTS \$ _____ (For C/I, Dirt, Fertilizer, Utility Buckets) (Hardware not included) (Estimated Install Time 1.5 hours)
7125269	BOLT-ON CUTTING EDGE, 56" PARTS \$ _____ (For 56" Standard Duty Buckets) (Hardware not included) (Estimated Install Time 1.5 hours)
7102450	BOLT-ON CUTTING EDGE, 56" PARTS \$ _____ (For 56" Heavy Duty Buckets) (Hardware not included) (Estimated Install Time 1.5 hours)
6718005	BOLT-ON CUTTING EDGE, 62" PARTS \$ _____ (For 62" Heavy Duty, Combo Buckets) (Hardware not included) (Estimated Install Time 1.5 hours)
6732406	BOLT-ON CUTTING EDGE, 62" PARTS \$ _____ (For 62" Standard Duty Buckets) (Hardware not included) (Estimated Install Time 1.5 hours)
6718006	BOLT-ON CUTTING EDGE, 68" PARTS \$ _____ (For 68" Heavy Duty / Light Material, Combo Buckets) (Hardware not included) (Estimated Install Time 1.5 hours)
7104508	BOLT-ON CUTTING EDGE, 68" PARTS \$ _____ (For 68" Standard Duty Buckets) (Hardware not included) (Estimated Install Time 1.5 hours)
6718007	BOLT-ON CUTTING EDGE, 74" PARTS \$ _____ (For 74" Heavy Duty / Severe Duty / Light Material, Combo Buckets) (Hardware not included) (Estimated Install Time 1.5 hours)
7104510	BOLT-ON CUTTING EDGE, 74" PARTS \$ _____ (For 74" Standard Duty Buckets) (Hardware not included) (Estimated Install Time 1.5 hours)
6718008	BOLT-ON CUTTING EDGE, 80" PARTS \$ _____ (For 80" Heavy Duty / Severe Duty / Light Material, Combo Buckets) (Hardware not included) (Estimated Install Time 1.5 hours)

PART NUMBER	DEALER INSTALLED ACCESSORIES – ORDER FROM PARTS DESCRIPTION
------------------------	--

For current Dealer Installed Accessories pricing, reference BobQuote or Dealer Parts Department.

Used with all buckets that have the ♦ symbol

7296449	*BOLT-ON CUTTING EDGE, 86" PARTS \$ _____ (For 86" Severe Duty / Light Mat. Bucket) (Hardware not included) (Estimated Install Time 1.5 hours)
7296450	BOLT-ON CUTTING EDGE, 92" PARTS \$ _____ (For 92" Severe Duty / Light Mat. Bucket) (Hardware not included) (Estimated Install Time 1.5 hours)
7296451	*BOLT-ON CUTTING EDGE, 98" PARTS \$ _____ (For 98" Light Material Buckets) (Hardware not included) (Estimated Install Time 1.5 hours)
*FOR SEVERE DUTY BUCKETS: Order Bolt 95G1040 and Nut 57D10. Qty 16 for 82" and Qty 18 for 88"	
6729084	CORNER CUTTING EDGE PARTS \$ _____ (3/4" thick single bevel, threaded cutting g edge. Does not require nut) (Must order a quantity of 2) (Hardware not included—must order P/N 1C816, quantity 4)
6719407	BOLT-ON CORNER CUTTING EDGE PARTS \$ _____ (3/4" thick single bevel, threaded cutting edge. Does not require nut) (Must order a quantity of 2) (Hardware not included—must order P/N 1C816, quantity 4)
6805464	BOLT-ON CORNER CUTTING EDGE PARTS \$ _____ (5/8" thick double bevel cutting edge) (Must order a quantity of 2) (Hardware not included—must order P/N 39C000828B, quantity 4 and 97D8, quantity 4)
6729085	BOLT-ON SIDE GUARD KIT PARTS \$ _____ (For S70 C/I Buckets) (Hardware included) (Extends bucket sideplates)
6729086	BOLT-ON SIDE GUARD KIT PARTS \$ _____ (For S70 Utility Buckets) (Hardware included) (Extends bucket sideplates.)
7125270	SIDE UTILITY PLATE KIT PARTS \$ _____ (For 36" – 50" Dirt Buckets)
7104358	SIDE UTILITY PLATE KIT PARTS \$ _____ (For 36" – 74" General Purpose Buckets)

PART NUMBER	DEALER INSTALLED ACCESSORIES – ORDER FROM PARTS
NUMBER	DESCRIPTION

For current Dealer Installed Accessories pricing, reference BobQuote or Dealer Parts Department.

7196474 BUCKET SPILL GUARD, STANDARD ORDER FROM SALES
 (For 62 - 80" Heavy Duty)
 (Includes a see through 44" Spill Guard and Hardware)
 (Protects the operator, cab, tilt cylinders and Bob-Tach pivot area from debris)

Bucket Bite™ Tooth Bars for Current Standard & Heavy Duty Buckets
Not for use with Severe Buckets

7115543	BUCKET BITE TOOTH BAR, 44"	PARTS	\$	_____
7125548	BUCKET BITE TOOTH BAR, 44" GENERAL PURPOSE/DIRT	PARTS	\$	_____
6905521	BUCKET BITE TOOTH BAR, 48" (FITS 50" LP)	PARTS	\$	_____
7125549	BUCKET BITE TOOTH BAR, 50" GENERAL PURPOSE/DIRT	PARTS	\$	_____
6905522	BUCKET BITE TOOTH BAR, 54"	PARTS	\$	_____
7125550	BUCKET BITE TOOTH BAR, 56"	PARTS	\$	_____
6905314	BUCKET BITE TOOTH BAR, 62"	PARTS	\$	_____
6905315	BUCKET BITE TOOTH BAR, 66" & 68"	PARTS	\$	_____
6905316	BUCKET BITE TOOTH BAR, 74"	PARTS	\$	_____
6905317	BUCKET BITE TOOTH BAR, 80"	PARTS	\$	_____
(HEAVY DUTY TOOTH BARS ONLY)				
7243845	BUCKET BITE TOOTH BAR, 62" (FOR BOLT-ON CUTTING EDGE).....	PARTS	\$	_____
7243844	BUCKET BITE TOOTH BAR, 68" (FOR BOLT-ON CUTTING EDGE).....	PARTS	\$	_____
7243843	BUCKET BITE TOOTH BAR, 74" (FOR BOLT-ON CUTTING EDGE).....	PARTS	\$	_____
7243842	BUCKET BITE TOOTH BAR, 80" (FOR BOLT-ON CUTTING EDGE).....	PARTS	\$	_____

DESTINATION CHARGE/FUEL SURCHARGE
Refer to BobQuote or BobcatNET>>Other Resources>>Pricing Homepage for current Destination and Fuel Charges.

ATTACHMENT	ASSEMBLY REQUIRED	INSTALLATION TIME (HOURS)
Teeth	Bolt to bucket	0.5
Bucket Bite	Bolt to bucket	0.5
Spill Guard	Bolt to bucket	0.25
Side Guard.....	Bolt to bucket	0.25
Corner Cutting Edge	Bolt to bucket	0.25
Cutting Edge	Bolt to bucket	0.5
Bucket Adapter	Install on bucket.....	0.25
Bucket Mounting Kit.....	Remove existing mount, weld on new mount.....	2.0

QUICK SPECS

	<u>Standard</u>
Operating Weight.....	27 lbs.
Overall Width.....	59.75"
Width (Spill Guard).....	44"
Overall Height.....	22.5"

PART	ATTACHMENT	SLP IN US \$
NUMBER	DESCRIPTION	

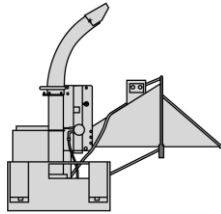
(62 - 80" HEAVY DUTY BUCKET)		
7196474	BUCKET SPILL GUARD, STANDARD (Protects the operator, cab, tilt cylinders and Bob-Tach pivot area) (Includes a see through 44" Spill Guard and Hardware)	\$286.00

DESTINATION CHARGE/FUEL SURCHARGE

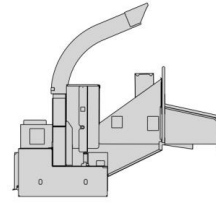
Refer to BobQuote or BobcatNET>>Other Resources>>Pricing Homepage for current Destination and Fuel Charges.

ATTACHMENT	ASSEMBLY REQUIRED	INSTALLATION TIME (HOURS)
------------	-------------------	------------------------------

Bucket Spill Guard	Install on bucket.....	1.0
--------------------------	------------------------	-----



5A Chipper



8B Chipper

QUICK SPECS

	<u>5A</u>	<u>8B</u>
Operating Weight.....	1145 lbs.	1660 lbs.
Feeder Opening.....	5"	9.2"
Continuous Chipping Size.....	Up to 3" diameter material	Up to 5" diameter material
Feed Table Height.....	23.5"	25.4"
Discharge Chute Height.....	92"	93.3"
Blades.....	4 reversible tool steel blades	4 reversible tool steel blades
Dual Mounting Locations.....	Front or right side of loader	Front or right side of loader
Discharge Chute (Incl. End Deflector)..	Rotates 360°	Rotates 360°

Both chippers have automatic hydraulic feed, which includes speed control and load sensing system.

PART NUMBER	ATTACHMENT DESCRIPTION	SLP IN US \$
-------------	------------------------	--------------

(S130, S150, S160, S175, S185, S205) (S450, S510, S530, S550, S570, S590, S595, S630, S650, S740, S750, S770, S850) (S62, S64, S66, S76) (A770) (T140, T180, T190) (T450, T550, T590, T595, T630, T650, T740, T750, T770, T870) (T62, T64, T66, T76)

6719129 5A CHIPPER \$11,071.00
 (Loader must be equipped with an Attachment Control Kit – See Page 1)
 (Attachment includes a 7-pin harness only) (Approved G-Series and newer Loaders only)

(S160H, S185H, S205H) (S550H, S570H, S590H, S595H, S630H, S650H, S740H, S750H, S770H, S850H) (S62H, S64H, S66H, S76H) (A770H) (T180H, T190H) (T550H, T590H, T595H, T630H, T650H, T740H, T750H, T770H, T870H) (T62H, T64H, T66H, T76H)

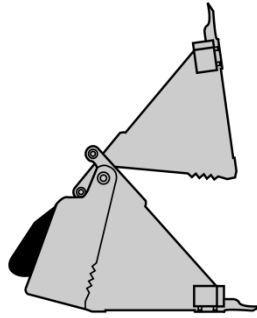
7117662 8B CHIPPER \$13,930.00
 (Loader must be equipped with an 7-Pin Attachment Control Kit – See Page 1)
 (Approved G-Series and new Loaders only)

Note: 5A Chipper must be installed on 700-800 Series BICS Loaders. Will not function on non-BICS loaders, 953s or 963s. 700-800 Series Loaders prior to G-Series need a Remote Attachment Control Kit, P/N 6716566
 8B Chipper must be installed on G-Series and new loaders only

DESTINATION CHARGE/FUEL SURCHARGE
 Refer to BobQuote or BobcatNET>>Other Resources>>Pricing Homepage for current Destination and Fuel Charges.

ATTACHMENT	ASSEMBLY REQUIRED	INSTALLATION TIME (HOURS)
------------	-------------------	---------------------------

Chipper	Install discharge chute.....	.25
Attachment Control Kit		See Page 1



QUICK SPECS

	<u>62"</u>	<u>68"</u>	<u>74"</u>	<u>80"</u>	<u>84"</u>
Operating Weight	807 lbs.	852 lbs.	898 lbs.	1075 lbs.	1109 lbs.
Overall Width	62.5"	68.5"	74.5"	81.4"	85.4"
SAE Capacity Heaped ..	10.7 ft ³	11.8 ft ³	13.4 ft ³	18.3 ft ³	19.3 ft ³
Number of Teeth.....	7 bolt-on	7 bolt-on	8 bolt-on	8 bolt-on	9 bolt-on
Max Clamping Force	8590 lbs.	8590 lbs.	8590 lbs.	6834 lbs.	6834 lbs.
Cutting Edges	62-84" include Bolt-On Cutting Edge on Dozer & back of Clamshell				

PART NUMBER	ATTACHMENT DESCRIPTION	SLP IN US \$
-------------	------------------------	--------------

(S130, S150*, S160*, S175*, S185*) (S450, S510*, S530*, S550*, S570*, S590*, S595*) (T140) (T450)

7167310 62" COMBINATION BUCKET **\$3,274.00**
 (Bolt-on Teeth are available from Bobcat Parts)

(S150, S160, S175, S185, S205) (S510, S530, S550, S570, S590, S595) (S630*, S650*, S740*, S750*, S770*) (S62, S64, S66, S76*) (T180, T190) (T550, T590, T595) (T62, T64, T66)

7167311 68" COMBINATION BUCKET **\$3,484.00**
 (Bolt-on Teeth are available from Bobcat Parts)

(S150, S160, S175, S185, S205) (S550, S570, S590, S595, S630, S650, S740, S750, S770) (S64, S66, S76) (A770)

(T180, T190) (T550, T590, T595, T630, T650) (T64, T66, T76)

7167312 74" COMBINATION BUCKET **\$3,674.00**
 (Bolt-on Teeth are available from Bobcat Parts)

(S630, S650, S740, S750, S770) (S76) (A770) (T630, T650, T740, T750, T770) (T76)

7167313 80" COMBINATION BUCKET **\$4,394.00**
 (Bolt-on Teeth are available from Bobcat Parts)

(S740, S750, S770) (A770) (T650, T740, T750, T770) (T76)

7167314 84" COMBINATION BUCKET **\$4,917.00**
 (Bolt-on Teeth are available from Bobcat Parts)

***REQUIRES INSET RIMS**

Note: Combination Buckets are not approved for use with the Tilt-Tatch.
Note: Combination Buckets may interfere with tracks at extreme roll-back position on some loaders. Use of lift-arm stop is required if this occurs.

Note: It is recommended that a port relief be installed for use with the Combination Buckets except when used on a 463, S70, S100, T100 or MT. Installation instructions are included in the Operation Manual. Order the following from Bobcat Parts.

- 6684646 Port relief (4000 psi) – for M-Series loaders, S450/T450 and larger
- 6684645 Port relief (3500 psi) – for G-Series through K-Series loaders with one-piece control valves (started April 2004)
- 6678574 Port relief (3500 psi) – for F-Series & G-Series loaders until April 2004

Note: Older loaders listed below will require the following parts, which must be ordered separately from Bobcat Parts.

- 6513594 Port Relief (for 740s with Gresen Valve)
- 6514641 Port Relief (for 843s with Cessna Valve)
- 6658127 Check Valve (for 853s with Apitech Valve)

PART NUMBER	DEALER INSTALLED ACCESSORIES – ORDER FROM PARTS DESCRIPTION
-------------	---

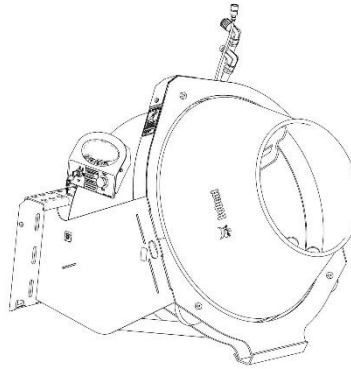
For current Dealer Installed Accessories pricing, reference BobQuote or Dealer Parts Department.

6728247	7 BOLT-ON TEETH KIT	PARTS	\$ _____
	(For 44" Combination Bucket) (1-Piece Bolt-on Tooth Shank) (Hardware included) (When quoting, must use multiple of 7, for example: 7 x \$11.34=\$79.38)		
6737322	8 BOLT-ON TEETH KIT	PARTS	\$ _____
	(For 62" to 84" Combination Buckets) (Must purchase multiple of 8, for example: 8 x \$25.51=\$204.08) (Tooth Assembly includes Bolt-on Shank with Pin-on Tooth) (Hardware included)		
7107317	HENSLEY FORGED TOOTH POINT	PARTS	\$ _____
	(Qty. 1)		
7107320	HENSLEY TIGER TOOTH POINT	PARTS	\$ _____
	(Qty. 1)		
7107321	HENSLEY TWIN TIGER TOOTH POINT	PARTS	\$ _____
	(Qty. 1)		
6718005	BOLT-ON CUTTING EDGE, 62"	PARTS	\$ _____
	(Estimated install time 1.5 hours)		
6718006	BOLT-ON CUTTING EDGE, 68"	PARTS	\$ _____
	(Estimated install time 1.5 hours)		
6718007	BOLT-ON CUTTING EDGE, 74"	PARTS	\$ _____
	(Estimated install time 1.5 hours)		
6718008	BOLT-ON CUTTING EDGE, 80"	PARTS	\$ _____
	(Hardware not included) (Estimated install time 1.5 hours)		
6807069	BOLT-ON CUTTING EDGE, 84"	PARTS	\$ _____
	(Hardware not included) (Estimated install time 1.5 hours)		

DESTINATION CHARGE/FUEL SURCHARGE
Refer to BobQuote or BobcatNET>>Other Resources>>Pricing Homepage for current Destination and Fuel Charges.

ATTACHMENT	ASSEMBLY REQUIRED	INSTALLATION TIME (HOURS)
------------	-------------------	---------------------------

Combination Bucket..... Install port relief & restrictor on loader	0.75
--	-------------



QUICK SPECS

	<u>M-Series Compatible</u>
Operating Weight	440 lbs.
Length	43.2"
Width.....	45.2"
Height.....	40.1"
Recommended Drum Speed.....	20 RPM @ 11 gpm
Capacity	6.9 cu. ft.
Rotation.....	Bi-rotational
Chain	#50 standard roller

PART NUMBER	ATTACHMENT DESCRIPTION	SLP IN US \$
-------------	------------------------	--------------

(S175, S185, S205, S220, S250, S300, S330)
 (S450, S510, S530, S550, S570, S590, S595, S630, S650, S740, S750, S770, S850)(S62, S64, S66, S76)(A300) (A770)
 (T180, T190, T250, T300, T320) (T450, T550, T590, T595, T630, T650, T740, T750, T770, T870)
 (T62, T64, T66, T76)

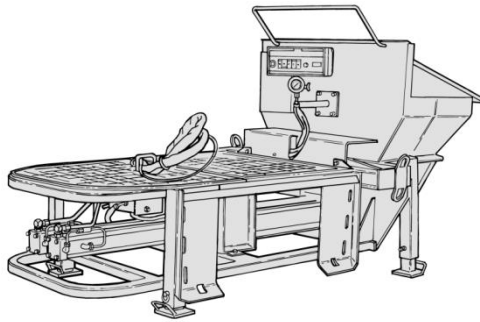
7186695	M-SERIES COMPATIBLE CONCRETE MIXER (Loader must be equipped with a 7-pin Attachment Control Kit. – See Page 1 and 2) (Attachment will not operate on competitive machines or 14-pin loaders) (Attachment includes a 7-Pin Harness only)	\$4,364.00
----------------	---	-------------------

Note: Concrete Mixer needs to be installed on BICS Loaders. Concrete Mixer will not function on non-BICS loaders, 953s or 963.

DESTINATION CHARGE/FUEL SURCHARGE
 Refer to BobQuote or BobcatNET>>Other Resources>>Pricing Homepage for current Destination and Fuel Charges.

ATTACHMENT	ASSEMBLY REQUIRED	INSTALLATION TIME (HOURS)
------------	-------------------	---------------------------

Concrete Mixer	None.....	-
Attachment Control Kit		See Page 1



QUICK SPECS

Operating Weight.....2200 lbs.	Concrete Cylinder Diameter.....6.0"
Length.....102.9"	Concrete Cylinder Stroke.....24.0"
Width.....47.9"	Swing Tube Diameter.....5.0"
Height.....54.9"	Concrete Placement.....30 cu. yards/hour*
Hydraulic Flow Range15 - 40 GPM	Maximum Concrete Pressure750 psi
Hopper Capacity10 cu. ft.	Maximum Aggregate Size.....1.5" or less

*Volume output will vary depending on mix design, slump, line size, job site conditions and the loader's auxiliary hydraulic flow. Choose a high flow loader for optimum performance.

PART NUMBER	ATTACHMENT DESCRIPTION	SLP IN US \$
-------------	------------------------	--------------

(S185, S185H, S205, S205H) (S550, S550H, S570, S570H, S590, S590H, S595, S595H, S630, S630H, S650, S650H, S740, S740H, S750, S750H, S770, S770H, S850, S850H) (S62, S62H, S64, S64H, S66, S66H, S76, S76H) (A770, A770H) (T180, T180H, T190, T190H) (T550, T550H, T590, T590H, T595, T595H, T630, T630H, T650, T650H, T740, T740H, T750, T750H, T770, T770H, T870, T870H) (T62, T62H, T64, T64H, T66, T66H, T76, T76H)

7108693 CONCRETE PUMP \$25,959.00
 (Loader must be equipped with an Attachment Control Kit – See Page 1 and 2)
 (Attachment includes a 7-Pin Harness only)
 (May also need Delivery System Kit-unless customer has this equipment)

Note: Concrete Pump needs to be installed on 700-800, S185-S300, A220-A300, T180-T300 G-Series or newer BICS Loaders or 963 G-Series, will not function on F-Series or non-BICS loaders, 953s or 963 C-Series.

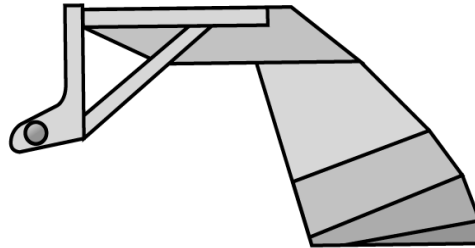
PART NUMBER	DEALER INSTALLED ACCESSORIES – ORDER FROM SALES DESCRIPTION	SLP IN US \$
-------------	---	--------------

6906079 DELIVERY SYSTEM KIT \$5,397.00
 (Includes 5" elbow, 5" to 3" reducer, (3) 25 ft. sections of 3" flexible hose, 3" x 6' flexible hose, (3) 3" x 10' steel lines, (2) 5" couplings, (8) 3" couplings, 3" cleanout ball)
 (Ship Weight 640 lbs.)

6906813 REMOTE CONTROL KIT \$2,160.00
 (The hand held transmitter runs all functions of the Concrete Pump within a range of 200-400 feet from the pump.) (Ship Weight 8 lbs.)

<p>DESTINATION CHARGE/FUEL SURCHARGE</p> <p>Refer to BobQuote or BobcatNET>>Other Resources>>Pricing Homepage for current Destination and Fuel Charges.</p>
--

ATTACHMENT	ASSEMBLY REQUIRED	INSTALLATION TIME (HOURS)
Concrete Pump	Mount remote attachment start box.....	0.5
Remote Control Kit	Install Remote Control kit.....	1.0
Attachment Control Kit		See Page 1



QUICK SPECS

	<u>12S</u>	<u>25"</u>	<u>30"</u>	<u>36"</u>
Operating Weight	200 lbs.	290 lbs.	307 lbs.	325 lbs.
Dig Depth	28"	48"	48"	48"

PART NUMBER	DESCRIPTION	ATTACHMENT	SLP IN US \$
-------------	-------------	------------	--------------

(MT50, MT52, MT55, MT85, MT100) (S70)(L23,L28)

7100915 12S DIGGER \$851.00

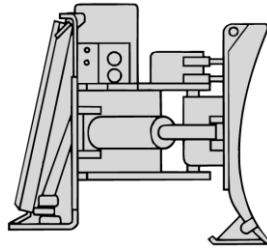
(S130, S150, S160, S175, S185, S205) (S450, S510, S530, S550, S570, S590, S595, S630, S650, S740, S750, S770) (S62, S64, S66, S76)(A770) (T140, T180, T190) (T450, T550, T590, T595) (T62, T64, T66)

6719756 25" DIGGER \$1,100.00
 6719757 30" DIGGER \$1,158.00
 6719758 36" DIGGER \$1,207.00

DESTINATION CHARGE/FUEL SURCHARGE
 Refer to BobQuote or BobcatNET>>Other Resources>>Pricing Homepage for current Destination and Fuel Charges.

ATTACHMENT	ASSEMBLY REQUIRED	INSTALLATION TIME (HOURS)
------------	-------------------	---------------------------

Digger.....None..... -



QUICK SPECS

	<u>54"</u>	<u>80"</u>	<u>90"</u>	<u>96"</u>
Operating Weight.....	310 lbs.	950 lbs.	987 lbs.	1580 lbs.
Width.....	54"	80"	90"	96"
Width (Fully Angled).....	46.8"	69.3"	78.0"	83.5"
Blade Height	20.0"	24.1"	24.2"	25.2"
Overall Height.....	21.9"	24.9"	25.2"	27.7"
Length	28.7"	33.0"	33.0"	34.8"
Oscillation	0°	± 8°	± 8°	± 10°
Angle.....	± 30°	± 30°	± 30°	± 30°
Cutting Edge (reversible) ..	0.38" x 4"	0.5" x 6"	0.5" x 6"	0.63" x 6"
Cylinders.....	1	3	3	3
Skid Shoes.....	Adjustable	Adjustable	Adjustable	Adjustable

PART NUMBER	ATTACHMENT DESCRIPTION	SLP IN US \$
-------------	------------------------	--------------

(MT50, MT52, MT55, MT85, MT100) (S70)

7196165 54" UTILITY BLADE (WITH HYDRAULIC ANGLE) **\$1,787.00**
 (To be used as either a Snow Blade or a Dozer Blade)

(S130, S150, S160, S175, S185, S205) (S450, S510, S530, S550, S570, S590, S595, S630, S650, S740, S750, S770) (S62, S64, S66, S76) (T140, T180, T190) (T450, T550, T590, T595, T630, T650) (T62, T64, T66, T76)

6905884 80" DOZER BLADE, 6-WAY..... **\$5,224.00**
 (Loader must be equipped with an Attachment Control Kit – See Page 1 or 2)
 (When used on loaders equipped with a 14-Pin Attachment Control Kit, a 14-Pin Attachment T-Harness Kit is required – See Page 1)

(S530, S550, S570, S590, S595, S630, S650, S740, S750, S770) (S62, S64, S66, S76) (A770) (T550, T590, T595, T630, T650) (T62, T64, T66, T76)

6905811 90" DOZER BLADE, 6-WAY..... **\$5,639.00**
 (Loader must be equipped with an Attachment Control Kit – See Page 1 or 2)
 (When used on loaders equipped with a 14-Pin Attachment Control Kit, a 14-Pin Attachment T-Harness Kit is required – See Page 1)

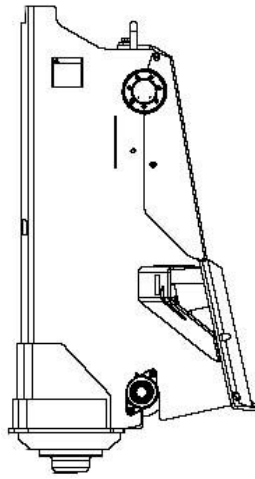
(S630, S650, S740, S750, S770, S850) (S76) (A770) (T630, T650, T740, T750, T770, T870) (T76)

7105781 96" DOZER BLADE, 6-WAY..... **\$7,105.00**
 (Loader must be equipped with an Attachment Control Kit – See Page 1 or 2)
 (When used on loaders equipped with a 14-Pin Attachment Control Kit, a 14-Pin Attachment T-Harness Kit is required – See Page 1)

DESTINATION CHARGE/FUEL SURCHARGE
 Refer to BobQuote or BobcatNET>>Other Resources>>Pricing Homepage for current Destination and Fuel Charges.

ATTACHMENT	ASSEMBLY REQUIRED	INSTALLATION TIME (HOURS)
-------------------	--------------------------	----------------------------------

Utility Blade.....	Align and secure guide rod25
Dozer Blade	Adjust shoes	0.50
Attachment Control Kit		See Page 1



QUICK SPECS

Overall Weight.....	1925 lbs.
Weight of Hammer.....	1140 lbs.
Height (Hammer fully raised)	74"
Length	29"
Hammer Stroke	38"
Impact Energy Rating	3600 ft.-lbs.
Required Flow.....	13 – 22 gpm.
Stroke Rate per Minute	20
Maximum Concrete Thickness	14-18"
Minimum Concrete Thickness	5"

PART NUMBER	ATTACHMENT DESCRIPTION	SLP IN US \$
-------------	------------------------	--------------

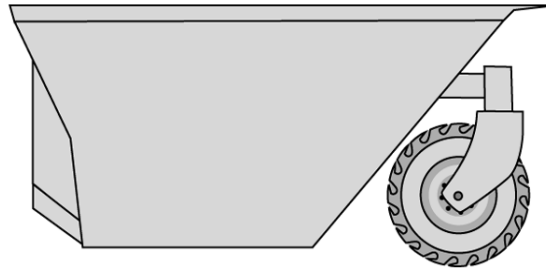
(S175, S185, S205) (S510, S530, S550, S570, S590, S595, S630, S650, S740, S750, S770, S850)
 (S62, S64, S66, S76) (A770) (T180, T190) (T550, T590, T595, T630, T650, T740, T750, T770, T870)
 (T62, T64, T66, T76)

7137810 DROP HAMMER \$9,114.00

DESTINATION CHARGE/FUEL SURCHARGE
 Refer to BobQuote or BobcatNET>>Other Resources>>Pricing Homepage for current Destination and Fuel Charges.

ATTACHMENT	ASSEMBLY REQUIRED	INSTALLATION TIME (HOURS)
------------	-------------------	---------------------------

Drop HammerNone..... -



QUICK SPECS

	<u>Model 10</u>	<u>Model 25</u>
Operating Weight.....	665 lbs.	1190 lbs.
Height.....	40"	40"
Length.....	83"	83"
Width.....	36"	84"
Capacity - Struck.....	25.7 cu. ft.	67.5 cu. ft.
Capacity - Heaped.....	29.7 cu. ft.	87.9 cu. ft.

PART NUMBER	ATTACHMENT DESCRIPTION	SLP IN US \$
-------------	------------------------	--------------

(S70, S100) (T110)(L23,L28)

6727275 MODEL 10 DUMPING HOPPER..... \$3,210.00
 (Includes 8.5 x 12 Bobcat Heavy Duty Tire. Tire is not installed on Dumping Hopper.)
 (For S100 and T110 must also order Mounting Frame P/N 6729483)

(S130, S150, S160, S175, S185, S205) (S510, S530, S550, S570, S590, S595, S630, S650, S740, S750, S770, S850) (S62, S64, S66, S76) (A770) (T140, T180, T190) (T450, T550, T590, T595, T630, T650, T740, T750, T770, T870) (T62, T64, T66, T76)

6717597 MODEL 25 DUMPING HOPPER..... \$4,966.00
 (Includes 8.5 x 12 Bobcat Heavy Duty Tires. Tires are not installed on Dumping Hopper.)

PART NUMBER	DEALER INSTALLED ACCESSORIES – ORDER FROM PARTS DESCRIPTION
-------------	---

For current Dealer Installed Accessories pricing, reference BobQuote or Dealer Parts Department.

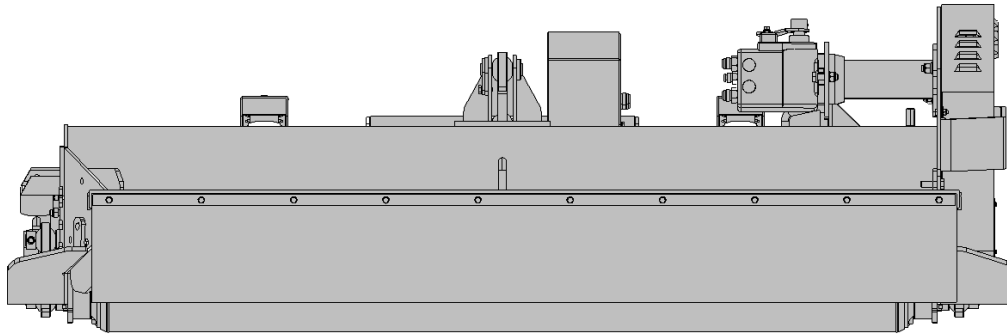
6729483 MOUNTING FRAME BRACKET..... PARTS \$_____
 (Must be ordered when using the Model 10 Dumping Hopper with the S100 and T110)

DESTINATION CHARGE/FUEL SURCHARGE

Refer to BobQuote or BobcatNET>>Other Resources>>Pricing Homepage for current Destination and Fuel Charges.

ATTACHMENT	ASSEMBLY REQUIRED	INSTALLATION TIME (HOURS)
------------	-------------------	---------------------------

Dumping Hopper on S100/T110.....	Install Mounting Frame.....	.25
Dumping Hopper	Install tires	0.50



QUICK SPECS

Operating Weight.....	1,640 lbs.
Cutting Width.....	78"
Cutting Height.....	1.5" – 3"
Overall Width.....	91"
Flow	17 – 40 gpm
Hammers	21
Cutting Capacity	Brush material up to 3" in diameter
Blade Tip Speed.....	8200 ft./min. @ 2000 RPM 9000 ft./min. @ 2200 RPM

PART NUMBER	ATTACHMENT DESCRIPTION	SLP IN US \$
-------------	------------------------	--------------

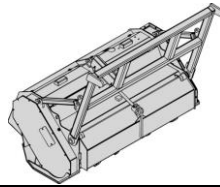
	(S175, S185, S185H, S205, S205H) (S510, S530, S550, S550H, S570, S570H, S590, S590H, S595, S595H, S630, S630H, S650, S650H, S740, S740H, S750, S750H, S770, S770H, S850, S850H) (S62, S62H, S64, S64H, S66, S66H, S76, S76H) (A770, A770H) (T180, T180H, T190, T190H) (T550, T550H, T590, T590H, T595, T595H, T630, T630H, T650, T650H, T740, T740H, T750, T750H, T770, T770H, T870, T870H) (T62, T62H, T64, T64H, T66, T66H, T76, T76H)	
7101894	FC200 FLAIL CUTTER.....	\$12,940.00

DESTINATION CHARGE/FUEL SURCHARGE

Refer to BobQuote or BobcatNET>>Other Resources>>Pricing Homepage for current Destination and Fuel Charges.

ATTACHMENT	ASSEMBLY REQUIRED	INSTALLATION TIME (HOURS)
------------	-------------------	---------------------------

Flail Cutter	None.....	-
--------------------	-----------	---



QUICK SPECS

	<u>50"</u>	<u>60"</u>	<u>50"</u> <u>2-Spd</u>	<u>60"</u> <u>2-Spd</u>	<u>70"</u> <u>2-Spd</u>
Operating Weight	2,185 lbs.	2,364 lbs.	2,176 lbs.	2,234 lbs.	2,900 lbs.
Operating Weight with Front Gate	2,227 lbs.	2,497 lbs.	2,218 lbs.	2,367 lbs.	3,065 lbs.
Cutting Width	50"	60"	50"	60"	70"
Overall Width	62.1"	73.3"	62.1"	73.3"	84.4"
Number of Teeth	24	30	24	30	36
Tree Diameter:					
Continuous Use	4 – 5"	4 – 5"	4 – 5"	4 – 5"	4 – 5"
Intermittent Removal	7 – 9"	7 – 9"	7 – 9"	7 – 9"	7 – 9"
Occasional Removal	10 – 12"	10 – 12"	10 – 12"	10 – 12"	10 – 12"

PART NUMBER	ATTACHMENT DESCRIPTION	SLP IN US \$
-------------	------------------------	--------------

(S750H, S770H, S850H) (A770H) (T750H, T770H, T870H)

7194306 FORESTRY CUTTER, 50" \$25,801.00

- For iT4 and Tier 3 M-Series Loaders (S750H, S770H, S850H, A770H, T750H, T770H, T870H) must also order Forestry Applications Kit, M-Series (p/n 7230523) and Engine Compartment Seal Kit
- For Tier 4 M-Series Loaders (S750H, S770H, S850H, A770H, T750H, T770H, T870H) must also order Forestry Applications Kit, M-Series (p/n 7257723) and Engine Compartment Seal Kit
- Loader must be equipped with high flow and upgraded cooling system
- For K-Series Loaders (S300H, S330H, A300H, T250H, T300H, T320H) must also order Forestry Applications Kit, K-Series p/n 7131810

(The following K-Series loader serial numbers must be equipped with the cooling system upgrade kit p/n 7126319 - order from Bobcat Parts: A300 s/n 539911675 & below; T300 s/n 532015066 & below; T250 s/n 531812826 & below; S300 s/n 531115051 & below) (All S330 loaders are equipped with the upgraded cooling system)

(For loaders A300 s/n A5GW19999 and below; S300 A5GP19999 and below; S330 A5HA19999 and below; T250 A5GS19999 and below; T300 A5GU19999 and below; and T320 A7MP60000 and below must also order door wiring harness kit, p/n 7155443 from parts.)

(S750H, S770H, S850H) (A770H) (T750H, T770H, T870H)

7194305 FORESTRY CUTTER, 60" \$27,186.00

- For iT4 and Tier 3 M-Series Loaders (S750H, S770H, S850H, A770H, T750H, T770H, T870H) must also order Forestry Applications Kit, M-Series (p/n 7230523) and Engine Compartment Seal Kit
- For Tier 4 M-Series Loaders (S750H, S770H, S850H, A770H, T750H, T770H, T870H) must also order Forestry Applications Kit, M-Series (p/n 7257723) and Engine Compartment Seal Kit
- Loader must be equipped with high flow and upgraded cooling system
- For K-Series Loaders (S300H, S330H, A300H, T250H, T300H, T320H) must also order Forestry Applications Kit, K-Series p/n 7131810

(The following K-Series loader serial numbers must be equipped with the cooling system upgrade kit p/n 7126319 - order from Bobcat Parts: A300 s/n 539911675 & below; T300 s/n 532015066 & below; T250 s/n 531812826 & below; S300 s/n 531115051 & below) (All S330 loaders are equipped with the upgraded cooling system)

(For loaders A300 s/n A5GW19999 and below; S300 A5GP19999 and below; S330 A5HA19999 and below; T250 A5GS19999 and below; T300 A5GU19999 and below; and T320 A7MP60000 and below must also order door wiring harness kit, p/n 7155443 from parts.)

PART NUMBER	ATTACHMENT DESCRIPTION	SLP IN US \$
-------------	------------------------	--------------

(S750H, S770H, S850H) (A770H) (T750H, T770H, T870H)

7204123 FORESTRY CUTTER, 50" 2-SPEED..... \$28,417.00

- For iT4 and Tier 3 M-Series Loaders (S750H, S770H, S850H, A770H, T750H, T770H, T870H) must also order Forestry Applications Kit, M-Series (p/n 7230523) and Engine Compartment Seal Kit
- For Tier 4 M-Series Loaders (S750H, S770H, S850H, A770H, T750H, T770H, T870H) must also order Forestry Applications Kit, M-Series (p/n 7257723) and Engine Compartment Seal Kit
- Loader must be equipped with high flow and upgraded cooling system
- For K-Series Loaders (S300H, S330H, A300H, T250H, T300H, T320H) must also order Forestry Applications Kit, K-Series p/n 7131810

(The following K-Series loader serial numbers must be equipped with the cooling system upgrade kit p/n 7126319 - order from Bobcat Parts: A300 s/n 539911675 & below; T300 s/n 532015066 & below; T250 s/n 531812826 & below; S300 s/n 531115051 & below) (All S330 loaders are equipped with the upgraded cooling system)

(For loaders A300 s/n A5GW19999 and below; S300 A5GP19999 and below; S330 A5HA19999 and below; T250 A5GS19999 and below; T300 A5GU19999 and below; and T320 A7MP60000 and below must also order door wiring harness kit, p/n 7155443 from parts.)

(S750H, S770H, S850H) (A770H) (T750H, T770H, T870H)

7204127 FORESTRY CUTTER, 60" 2-SPEED..... \$29,977.00

- For iT4 and Tier 3 M-Series Loaders (S750H, S770H, S850H, A770H, T750H, T770H, T870H) must also order Forestry Applications Kit, M-Series (p/n 7230523) and Engine Compartment Seal Kit
- For Tier 4 M-Series Loaders (S750H, S770H, S850H, A770H, T750H, T770H, T870H) must also order Forestry Applications Kit, M-Series (p/n 7257723) and Engine Compartment Seal Kit
- Loader must be equipped with high flow and upgraded cooling system
- For K-Series Loaders (S300H, S330H, A300H, T250H, T300H, T320H) must also order Forestry Applications Kit, K-Series p/n 7131810

(The following K-Series loader serial numbers must be equipped with the cooling system upgrade kit p/n 7126319 - order from Bobcat Parts: A300 s/n 539911675 & below; T300 s/n 532015066 & below; T250 s/n 531812826 & below; S300 s/n 531115051 & below) (All S330 loaders are equipped with the upgraded cooling system)

(For loaders A300 s/n A5GW19999 and below; S300 A5GP19999 and below; S330 A5HA19999 and below; T250 A5GS19999 and below; T300 A5GU19999 and below; and T320 A7MP60000 and below must also order door wiring harness kit, p/n 7155443 from parts.)

(S850H) (T750H, T770H, T870H)

7305459 FORESTRY CUTTER, 70" 2-SPEED \$33,118.00

- For iT4 and Tier 3 M-Series Loaders (S850H, T750H, T770H, T870H) must also order Forestry Applications Kit, M-Series (p/n 7230523) and Engine Compartment Seal Kit
- For Tier 4 M-Series Loaders (S850H, T750H, T770H, T870H) must also order Forestry Applications Kit, M-Series (p/n 7257723) and Engine Compartment Seal Kit
- Loader must be equipped with high flow and upgraded cooling system
- T750H and T770H: Must be equipped with 400 Pound Counter Weight Kit, Part # 7129252

PART NUMBER	FACTORY INSTALLED OPTIONS DESCRIPTION	SLP IN US \$
-------------	---------------------------------------	--------------

7195450 FRONT GATE, 50"..... \$1,806.00
 (Produces finer mulch)

7195323 FRONT GATE, 60"..... \$1,906.00
 (Produces finer mulch)

DEALER INSTALLED ACCESSORIES – ORDER FROM SALES		
PART NUMBER	DESCRIPTION	SLP IN US \$
7131810	FORESTRY APPLICATIONS KIT, K-SERIES Kit is required to operate Forestry Cutter and provides operator & machine protection. Not compatible with rear auxiliary hydraulics. Kit includes: Forestry Door (3/4 in. laminated polycarbonate), Front and Rear Light Guards, Hydraulic Quick Coupler Guard, Fire Extinguisher, Level II FOPS, Debris Screen for Radiator, Muffler Guard, Lift Cylinder Debris Shields, Top and Rear Windows (1/4 in. polycarbonate), Cab Bulb Seal and Door Threshold and Seal (Estimated install time 6.5 hours)	\$5,426.00
7230523	TIER 3 AND T4 FORESTRY APPLICATIONS KIT, M-SERIES Kit is required to operate Forestry Cutter and provides operator & machine protection. Must also order Engine Compartment Seal Kit Not compatible with rear auxiliary hydraulics. Kit includes: Forestry Door (3/4 in. laminated polycarbonate), Front and Rear Light Guards, Hydraulic Quick Coupler Guard, Fire Extinguisher, Level II FOPS, Muffler Guard, Top and Rear Windows, Polycarbonate Side Windows (Estimated install time 6.5 hours)	\$8,583.00
7257723	TIER 4 FORESTRY APPLICATIONS KIT, M-SERIES..... Kit is required to operate Forestry Cutter and provides operator & machine protection. Must also order Engine Compartment Seal Kit Not compatible with rear auxiliary hydraulics. Kit includes: Forestry Door (3/4 in. laminated polycarbonate), Front and Rear Light Guards, Hydraulic Quick Coupler Guard, Fire Extinguisher, Level II FOPS, Top and Rear Windows, Polycarbonate Side Windows (Estimated install time 6.5 hours)	\$8,583.00

DEALER INSTALLED ACCESSORIES – ORDER FROM SALES		
PART NUMBER	DESCRIPTION	SLP IN US \$
7195448	FRONT GATE, 50"..... (Produces finer mulch) (Estimated install time 1.5 hours)	\$1,690.00
7195319	FRONT GATE, 60"..... (Produces finer mulch) (Estimated install time 1.5 hours)	\$1,791.00
7310331	FRONT GATE, 70" (Produces finer mulch) (Estimated install time 1.5 hours)	\$1,880.00

DEALER INSTALLED ACCESSORIES – ORDER FROM PARTS		
PART NUMBER	DESCRIPTION	

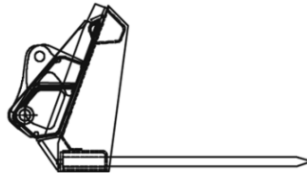
For current Dealer Installed Accessories pricing, reference BobQuote or Dealer Parts Department.

7190789	ENGINE COMPARTMENT SEAL KIT, S750, S770, A770, T750, T770 ... PARTS \$ _____ (Required when using M-Series 700 platform machines with forestry cutters) (Kit includes cab/mainframe seal, tailgate seal, mainframe slot covers and lift cylinder boots) (Estimated install time 2 hours)
7196560	FORESTRY WIPER KIT PARTS \$ _____ (Estimated install time 2 hours)
7179952	ENGINE COMPARTMENT SEAL KIT, S850 & T870 PARTS \$ _____ (Required when using M-Series 800 platform machines with forestry cutters) (Kit includes cab/mainframe seal, tailgate seal, mainframe slot covers and lift cylinder boots) (Estimated install time 2 hours)
7126319	COOLING UPGRADE KIT PARTS \$ _____ (K-Series loader serial numbers must be equipped with the cooling system upgrade kit p/n 7126319 - order from Bobcat Parts: A300 s/n 539911675 & below; T300 s/n 532015066 & below; T250 s/n 531812826 & below; S300 s/n 531115051 & below) (All S330 loaders are equipped with the upgraded cooling system)
7155443	DOOR WIRING HARNESS KIT PARTS \$ _____ (For loaders A300 s/n 530750000 and A5GW19999 and below; S300 531150000 and A5GP19999 and below; S330 A020500000 and A5HA10999 and below; T250 5318500000 and A5GS19999 and below; T300 5320500000 and A5GU19999 and below; and T320 A7MP60000 and below)

DESTINATION CHARGE/FUEL SURCHARGE
 Refer to BobQuote or BobcatNET>>Other Resources>>Pricing Homepage for current Destination and Fuel Charges.

ATTACHMENT	ASSEMBLY REQUIRED	INSTALLATION TIME (HOURS)
-------------------	--------------------------	----------------------------------

Forestry Cutter, 50", 60", 70"	None.....	-
Cooling Upgrade Kit		5.0
Forestry Applications Kit.....		6.5
Front Gate Kit.....		1.5



QUICK SPECS

	<u>36"</u>	<u>54"</u>	<u>60"</u>	<u>66"</u>	<u>72"</u>	<u>80"</u>
Operating Weight	200 lbs.	280 lbs.	304 lbs.	330 lbs.	356 lbs.	388 lbs.
# of Teeth Shipped.....	5	7	8	9	10	11
Max # of Teeth	9	13	15	17	19	21

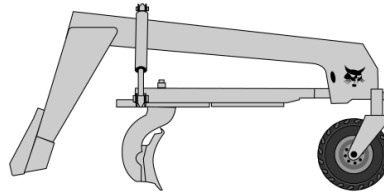
PART NUMBER	ATTACHMENT DESCRIPTION	SLP IN US \$
-------------	------------------------	--------------

(MT50, MT52, MT55, MT85, MT100) (S70)(L23,L28)		
6727904	36" UTILITY FORK, WITH 5 TEETH (Use with Farm/Utility grapple P/N 6728117) (Additional Forks (p/n 6717622) may be ordered through Bobcat Parts. Must also order nut (p/n 6717624).)	\$860.00
(S70, S100, S130) (S450) (T110, T140) (T450)(L23,L28)		
6727888	54" UTILITY FORK, WITH 7 TEETH (Use with Farm/Utility grapple P/N 6728117) (Additional Forks (p/n 6717622) may be ordered through Bobcat Parts. Must also order nut (p/n 6717624).)	\$1,003.00
(S130, S150, S160, S175, S185, S205) (S450, S510, S530, S550, S570, S590, S595, S630, S650) (S62) (T140) (T450, T550, T590, T595) (T62)		
6725178	60" UTILITY FORK, WITH 8 TEETH (Use with Farm/Utility grapple P/N 7176977) (Additional Forks (p/n 6717622) may be ordered through Bobcat Parts. Must also order nut (p/n 6717624).)	\$1,115.00
(S130, S150, S160, S175, S185, S205) (S450, S510, S530, S550, S570, S590, S595, S630, S650) (S62) (S64, S66) (T140, T180, T190) (T450, T550, T590, T595) (T62)		
6725179	66" UTILITY FORK, WITH 9 TEETH (Use with Farm/Utility grapple P/N 7176977) (Additional Forks (p/n 6717622) may be ordered through Bobcat Parts. Must also order nut (p/n 6717624).)	\$1,304.00
(S150, S160, S175, S185, S205) (S510, S530, S550, S570, S590, S595, S630, S650, S740, S750, S770) (S62, S64, S66, S76) (A770) (T140, T180, T190) (T450, T550, T590, T595, T630, T650) (T62, T64, T66, T76)		
6725180	72" UTILITY FORK, WITH 10 TEETH (Use with Farm/Utility grapple P/N 7176977) (Additional Forks (p/n 6717622) may be ordered through Bobcat Parts. Must also order nut (p/n 6717624).)	\$1,373.00
(S175, S185, S205) (S530, S550, S570, S590, S595, S630, S650, S740, S750, S770) (S62, S64, S66, S76) (A770) (T180, T190) (T550, T590, T595, T630, T650) (T62, T64, T66, T76)		
7107243	80" UTILITY FORK, WITH 11 TEETH (Use with Farm/Utility grapple P/N 7176977) (Additional Forks (p/n 6717622) may be ordered through Bobcat Parts. Must also order nut (p/n 6717624).)	\$1,600.00

DESTINATION CHARGE/FUEL SURCHARGE
Refer to BobQuote or BobcatNET>>Other Resources>>Pricing Homepage for current Destination and Fuel Charges.

ATTACHMENT	ASSEMBLY REQUIRED	INSTALLATION TIME (HOURS)
-------------------	--------------------------	--------------------------------------

Utility Forks	None.....	-
---------------------	-----------	---



QUICK SPECS

	<u>84"</u>	<u>96"</u>	<u>108"</u>
Operating Weight	1375 lbs.	2788 lbs.	2861 lbs.
Width of Moldboard	84"	96"	108"
Width of Moldboard Fully Angled	76.1"	83.3"	93.7"
Moldboard Angle (Right or Left)	± 25°	± 30°	± 30°
Blade Offset (Right or Left)	± 12"(manual)	± 13"(hydraulic)	± 13"(hydraulic)
Bolster Oscillation	± 25°	± 12°	± 12°
Moldboard Cutting Edge (reversible).....	1/2" x 6"	5/8" x 6"	5/8" x 6"
Cylinders.....	3	5	5

PART NUMBER	ATTACHMENT DESCRIPTION	SLP IN US \$
-------------	------------------------	--------------

(S130, S150, S160, S175, S185, S205) (S450, S510, S530, S550, S570, S590, S595, S630, S650, S740, S750, S770) (S62, S64, S66, S76) (A770) (T140, T180, T190) (T450, T550, T590, T595) (T62, T64, T66)

6906480 GRADER, 84" **\$9,624.00**
 (Loader must be equipped with an Attachment Control Kit – See Page 1 or 2)
 (When used on loaders equipped with a 14-Pin Attachment Control Kit, a 14-Pin Attachment T-Harness Kit P/N 7164095 is required – See Page 1)

(S740, S750, S770, S850) (A770) (T650, T740, T750, T770, T870) (T76)
7160005 GRADER, 96" **\$15,676.00**
 (Loader must be equipped with an Attachment Control Kit – See Page 1 or 2)
 (When used on loaders equipped with a 14-Pin Attachment Control Kit, a 14-Pin Attachment T-Harness Kit P/N 7164095 is required – See Page 1)

(S740, S750, S770, S850) (A770) (T740, T750, T770, T870)
7182060 GRADER, 108" **\$16,920.00**
 (Loader must be equipped with an Attachment Control Kit – See Page 1 or 2)
 (When used on loaders equipped with a 14-Pin Attachment Control Kit, a 14-Pin Attachment T-Harness Kit P/N 7164095 is required – See Page 1)

7177684 END-WING KIT..... **\$470.00**
 (Converts graders 96" and 108" into box blade for finish grading only)
 (Not compatible with the Sonic Tracer)

PART NUMBER	DEALER INSTALLED ACCESSORIES – ORDER FROM SALES DESCRIPTION	SLP IN US \$
-------------	---	--------------

7164094 LASER MOUNTING KIT, BLR2 (MUST ALSO ORDER 2 RECEIVERS) **\$966.00**
 (For 84" Grader)
 (Must also order two laser receivers, p/n 7160486)
 (Approved for use on Graders S/N 648001631 & above, started production April 2009)
 (Includes two receiver poles and wiring harnesses)

7177685 LASER MOUNTING KIT **\$1,032.00**
 (For 96" and 108" Grader)
 (Must also order two laser receivers, p/n 7160486)
 (Includes two receiver poles and wiring harnesses)

DEALER INSTALLED ACCESSORIES – ORDER FROM SALES		
PART NUMBER	DESCRIPTION	SLP IN US \$
7160486	LASER RECEIVER, BLR2 (Must order 2 for use with laser kit) (May also need a laser transmitter and tripod—unless customer has this equipment.) (The laser receivers will work with most rotating laser transmitters, for full functionality a dual slope-rotating transmitter is recommended.)(Approved for use on Graders S/N 648001631 & above, started production April 2009, and 96" and 108" Graders)	\$2,141.00
7275232	LASER TRANSMITTER, DUAL SLOPE (Trimble GL422N; includes CR700 receiver)	\$2,733.00
6688806	TRIPOD	\$273.00
7211624	SONIC TRACER AND SLOPE SENSOR MOUNTING KIT (For 96" and 108" Grader) (Must also order Sonic Tracer and Slope Sensor Package, p/n 7023454) (Includes mounting brackets, hardware and wiring harnesses for sonic tracer and slope sensors) (Not compatible with the end-wing kit)	\$1,871.00
7023454	SONIC TRACER & SLOPE SENSOR PACKAGE (Approved for 96" and 108" Grader) (Must also order Sonic Tracer and Slope Mounting Kit, p/n 7211624) (Includes ST400 Sonic Tracer, AS400 Slope Sensor (qty 2) and RS400 Rotation Sensor) (Use where laser transmitters won't work because of obstructions or where grader must follow predetermined slopes and land contours)	\$9,981.00
7306968	3D MOUNTING KIT (Required for 3D sensor Kit 7276540 for use with 3D Ready System)	\$1,286.00
7276541	3D HARNESS KIT (Approved for 96" and 108" Grader) (Includes: Machine wiring harness, Attachment wiring Harness, Radio Bracket & Mast Mounts)	\$4,960.00
7276540	3D SENSOR KIT (Approved for 96" and 108" Grader)(Must also order 3D Mounting Kit PN 7306968) (3D Sensor Kit is required when using Single GPS or UTS, the 3D Sensor Kit is not required for dual GPS.)(Includes: AS400 Slope Sensors (qty 2) and RS400 Rotation Sensor)	\$5,668.00

DEALER INSTALLED ACCESSORIES – ORDER FROM PARTS		
PART NUMBER	DESCRIPTION	

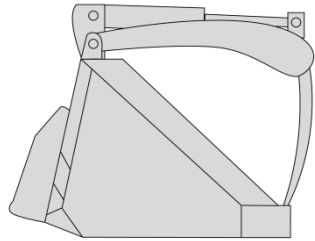
For current Dealer Installed Accessories pricing, reference BobQuote or Dealer Parts Department.

7120544	LASER HARNESS, VALVE (Needed for Graders, S/N 648000987 & below)	PARTS	\$ _____
7117444	LASER HARNESS MOUNT (Needed for Graders, S/N 648000987 & below)	PARTS	\$ _____
7122476	LASER MOUNTING KIT (MUST ALSO ORDER 2 RECEIVERS) (Must also order two laser receivers, p/n 6679014) (Approved for use on 84" Graders S/N 648000101 & thru 648001630) (Approved for use only on BICS loaders) (Includes two receiver poles and wiring harnesses) (Graders S/N 648000987 & below require p/n 7120544 and p/n 7117444)	PARTS	\$ _____

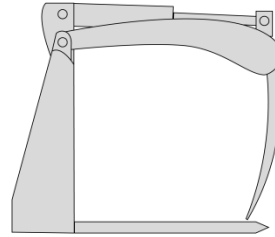
DESTINATION CHARGE/FUEL SURCHARGE	
Refer to BobQuote or BobcatNET>>Other Resources>>Pricing Homepage for current Destination and Fuel Charges.	

ATTACHMENT	ASSEMBLY REQUIRED	INSTALLATION TIME (HOURS)
Grader, 84.....	Assemble cylinder to moldboard	0.25
Grader, 108	Assemble moldboard to frame	1.00
Attachment Control Kit		0.25
Laser Control System (Grader 84" S/N 648000988 & above, and Grader 96" & 108").....		0.50
Sonic Tracer & Slope Sensor System.....		2.50
End-Wing Kit (Grader 96" & 108" only).....		0.50

Parts Needed to Equip Bobcat Graders and Boxblades with Guidance Systems						
	2D Laser Grading	3D Dual GPS	3D Single GPS	3D UTS	Sonic & Slope	SITECH dealer needed for setup
Box Blade	Not Compatible	Not Compatible	Not Compatible	Not Compatible	Not Compatible	Not Compatible
Box Blade w/Laser	Quantity: 1 BLR2 Laser Receiver - 7160486	Not Compatible	Not Compatible	Not Compatible	Not Compatible	Not Compatible
84" Grader	Laser Mounting Kit - 7164094 Quantity: 2 BLR2 Laser Receivers - 7160486	Not Compatible	Not Compatible	Not Compatible	Not Compatible	Not Compatible
96" & 108" HD Grader	Laser Mounting Kit - 7177685 Quantity: 2 BLR2 Laser Receivers - 7160486	3D Harness Kit - 7276541	3D Sensor Kit - 7276540 3D Mounting Kit - 7306968 3D Harness Kit - 7276541	3D Sensor Kit - 7276540 3D Mounting Kit - 7306968 3D Harness Kit - 7276541	Sonic Tracer & Slope Sensor Package - 7023454 Sonic Tracer & Slope Mounting Kit - 7211624	Yes for 3D Grading system System's (3D Single GPS, 3D Dual GPS and 3D UTS)
HD Box Blade	Laser Mounting Kit - 7370490 Quantity: 2 BLR2 Laser Receivers - 7160486	3D Harness Kit - 7276541	3D Sensor Kit - 7370491 3D Mounting Kit - 7370492	3D Sensor Kit - 7370491 3D Mounting Kit - 7370492	Not Compatible	Yes for 3D Grading system System's (3D Single GPS, 3D Dual GPS and 3D UTS)
Tripod - 6688806	Needed for all <u>Laser</u> guidance systems if customer does not have these items					
Laser Transmitter Dual Slope - 7275232						



Grapple with Bucket



Grapple with Forks

QUICK SPECS

	<u>32" Utility</u>	<u>32"</u>	<u>55" Util C/I</u>	<u>55" Util GP</u>
Operating Weight.....	157 lbs.	157 lbs.	243 lbs.	180 lbs.
Grapple Width.....	32"	32"	55"	55"
# of Grapple Tines.....	3	3	4	4

PART		ATTACHMENT	
NUMBER	DESCRIPTION		SLP IN US \$

(MT50, MT52, MT55, MT85, MT100) (S70)(L23,L28)

6728117 GRAPPLE, 32" UTILITY..... \$1,241.00
 (Fits Current 36", 48" & 54" Utility Forks and 36" & 44" Utility Buckets)

7125370 GRAPPLE, 32"..... \$1,229.00
 (Fits Current 36" – 50" General Purpose buckets)
 (If bucket is equipped with a 6 hole step, must order a replacement 4 hole step, P/N 7103163)

(S130, S150, S160, S175, S185, S205) (S450, S510, S530, S550, S570, S590, S595, S630, S650, S740, S750, S770) (S62, S64, S66, S76) (A770) (T140, T180, T190) (T450, T550, T590, T595, T630, T650) (T62, T64, T66, T76)

7176977 GRAPPLE, 55" UTILITY – C/I..... \$1,635.00
 (Fits 62", 68", 74" and 80" Roundback Low Profile and Construction/Industrial Buckets and 60", 66", 72", and 80" Utility Forks) (Will not fit Heavy Duty Construction/Industrial Buckets)

(S130, S150, S160, S175, S185) (S510, S530, S550, S570) (S62, S64)

7176783 GRAPPLE, 55" UTILITY - GP..... \$1,614.00
 (Fits 62", 68" and 74" General Purpose buckets)

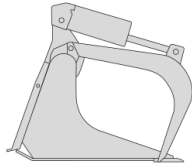
Note: It is recommended that a port relief is installed for use with the Farm & Utility Grapples except when used on a 463, S70, S100, T110 or MT. Installation instructions are included in the Operation Manual. Order the following from Bobcat Parts.

- 6684646 Port relief (4000 psi) – for M-Series loaders, S450/T450 and larger
- 6684645 Port relief (3500 psi) – for G-Series through K-Series loaders with one-piece control valves (started April 2004)
- 6678574 Port relief (3500 psi) – for F-Series & G-Series loaders until April 2004

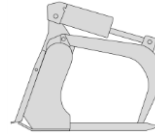
DESTINATION CHARGE/FUEL SURCHARGE
 Refer to BobQuote or BobcatNET>>Other Resources>>Pricing Homepage for current Destination and Fuel Charges.

ATTACHMENT	ASSEMBLY REQUIRED	INSTALLATION TIME (HOURS)
-------------------	--------------------------	----------------------------------

Utility GrappleAssemble grapple and bolt to utility bucket or fork..... 2.5



Industrial Bucket Grapple



Industrial Fork Grapple

QUICK SPECS

	<u>36" Bkt.</u>	<u>48" Bkt.</u>	<u>62" Bkt.</u>	<u>68" Bkt.</u>
Operating Weight	365 lbs.	448 lbs.	884 lbs.	922 lbs.
Overall Grapple Width	36.0"	48.0"	62"	68"
# of Teeth - Factory	N/A	N/A	N/A	N/A
# of Teeth - Possible	N/A	N/A	N/A	N/A

	<u>66" Fork</u>	<u>74" Bkt.</u>	<u>78" Fork</u>	<u>80" Bkt.</u>
Operating Weight	937 lbs.	960 lbs.	1218 lbs.	1101 lbs.
Overall Grapple Width	66.9"	74"	78.8"	80"
# of Teeth - Factory	7	N/A	8	N/A
# of Teeth - Possible	13	N/A	15	N/A

PART NUMBER	ATTACHMENT DESCRIPTION	SLP IN US \$
-------------	------------------------	--------------

(MT52, MT55, MT85, MT100) (S70)(L23,L28)		
7135737	36" INDUSTRIAL BUCKET GRAPPLE (Bolt-On Cutting Edge included)	\$1,938.00
(S100) (T110)		
7140888	48" INDUSTRIAL BUCKET GRAPPLE (Bolt-On Cutting Edge included)	\$2,128.00
(S130, S150, S160, S175, S185, S205) (S450, S510, S530, S550, S570, S590, S595) (S62, S64, S66)		
(T140, T180, T190) (T450, T550, T590, T595) (T62, T64)		
7168342	62" INDUSTRIAL BUCKET GRAPPLE (Bolt-On Cutting Edge included)	\$3,464.00
(S130, S150, S160, S175, S185, S205) (S450, S510, S530, S550, S570, S590, S595, S630, S650, S740, S750, S770) (S62, S64, S66, S76) (T140, T180, T190) (T450, T550, T590, T595, T630, T650)		
(T62, T64, T66, T76)		
7168340	68" INDUSTRIAL BUCKET GRAPPLE (Bolt-On Cutting Edge included)	\$3,602.00
(S130, S150, S160, S175, S185, S205) (S450, S510, S530, S550, S570, S590, S595, S630, S650, S740, S750, S770) (S62, S64, S66, S76) (T140, T180, T190) (T450, T550, T590, T595, T630, T650)		
(T62, T64, T66, T76)		
7168344	66" INDUSTRIAL FORK GRAPPLE, WITH 7 TEETH.....	\$4,161.00
(S630, S650, S740, S750, S770) (S76) (A770) (T180, T190) (T550, T590, T595, T630, T650)		
(T66, T76)		
7168290	74" INDUSTRIAL BUCKET GRAPPLE (Bolt-On Cutting Edge included)	\$3,881.00
(S630, S650, S740, S750, S770, S850) (S76) (A770) (T630, T650, T740, T750, T770, T870) (T76)		
7166624	78" INDUSTRIAL FORK GRAPPLE, WITH 8 TEETH.....	\$4,996.00
(S630, S650, S740, S750, S770, S850) (S76) (A770) (T630, T650, T740, T750, T770, T870) (T76)		
7168339	80" INDUSTRIAL BUCKET GRAPPLE	\$4,298.00

(Bolt-On Cutting Edge included)

Note: It is recommended that a port relief be installed for use with the Industrial Grapples except when used on a 463, S70, S100, T110 or MT. Installation instructions are included in the Operation Manual. Order the following from Bobcat Parts.

- 6684646 Port relief (4000 psi) – for M-Series loaders, S450/T450 and larger
- 6684645 Port relief (3500 psi) – for G-Series through K-Series loaders with one-piece control valves (started April 2004)
- 6678574 Port relief (3500 psi) – for F-Series & G-Series loaders until April 2004

PART NUMBER	DEALER INSTALLED ACCESSORIES – ORDER FROM PARTS DESCRIPTION
-------------	---

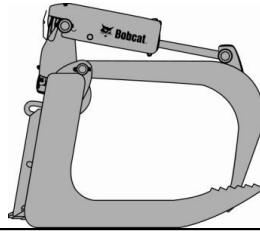
For current Dealer Installed Accessories pricing, reference BobQuote or Dealer Parts Department.

- 6706294 ADDITIONAL FORK TOOTH PARTS \$ _____
 (Must also order 1 Roll Pin per Tooth)
- 6706313 ROLL PIN PARTS \$ _____
 (Holds tooth in place)

DESTINATION CHARGE/FUEL SURCHARGE
Refer to BobQuote or BobcatNET>>Other Resources>>Pricing Homepage for current Destination and Fuel Charges.

ATTACHMENT	ASSEMBLY REQUIRED	INSTALLATION TIME (HOURS)
------------	-------------------	---------------------------

Industrial Grapple.....	Install port relief & restrictor on loader	0.75
-------------------------	--	------



QUICK SPECS

	<u>36"</u>	<u>48"</u>	<u>66"</u>	<u>72"</u>	<u>82"</u>
Operating Weight	297 lbs.	371 lbs.	961 lbs.	1025 lbs.	1130 lbs.
Height (closed)	29.8"	29.8"	34.2"	34.2"	34.2"
Height (open).....	41.7"	41.7"	51.8"	51.8"	51.8"
Length.....	30.7"	30.7"	42.8"	42.8"	42.8"
Width	36"	48"	66"	72.5"	82.5"
Teeth.....	5	7	8	9	11
Maximum Tooth Opening	28.3"	28.3"	36.8"	36.8"	36.8"

PART	ATTACHMENT	SLP IN US \$
NUMBER	DESCRIPTION	

(MT52, MT55, MT85, MT100) (S70)(L23,L28)		
7134179	36" ROOT GRAPPLE	\$1,994.00
(S100) (T110)		
7140902	48" ROOT GRAPPLE	\$2,464.00
(S150, S160, S175, S185, S205) (S510, S530, S550, S570, S590, S595) (S62, S64, S66)		
(T140, T180, T190) (T450, T550, T590, T595) (T62, T64, T66)		
7168343	66" ROOT GRAPPLE	\$3,438.00
(S175, S185, S205) (S530, S550, S570, S590, S595, S630, S650, S740, S750, S770)		
(S62, S64, S66, S76) (A770)		
(T180, T190) (T550, T590, T595, T630, T650, T740, T750, T770) (T62, T64, T66, T76)		
7165486	72" ROOT GRAPPLE	\$3,693.00
(S175, S185, S205) (S630, S650, S740, S750, S770, S850) (S76) (A770)		
(T180, T190) (T630, T650, T740, T750, T770, T870) (T76)		
7168338	82" ROOT GRAPPLE	\$4,089.00

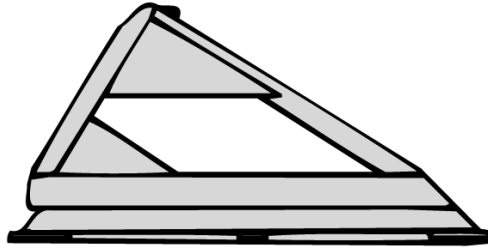
Note: It is recommended that a port relief be installed for use with the Root Grapples except when used on a 463, S70, S100, T110 or MT. Installation instructions are included in the Operation Manual. Order the following from Bobcat Parts.

- 6684646 Port relief (4000 psi) – for M-Series loaders, S450/T450 and larger
- 6684645 Port relief (3500 psi) – for G-Series through K-Series loaders with one-piece control valves (started April 2004)
- 6678574 Port relief (3500 psi) – for F-Series & G-Series loaders until April 2004

DESTINATION CHARGE/FUEL SURCHARGE
Refer to BobQuote or BobcatNET>>Other Resources>>Pricing Homepage for current Destination and Fuel Charges.

ATTACHMENT	ASSEMBLY REQUIRED	INSTALLATION TIME (HOURS)
-------------------	--------------------------	--------------------------------------

Root Grapple.....	None.....	-
-------------------	-----------	---



QUICK SPECS

	<u>48" Deluxe</u>	<u>72" Deluxe</u>	<u>78" Deluxe</u>
Operating Weight.....	390 lbs.	680 lbs.	700 lbs.
Length.....	46.6"	51.5"	51.5"
Width.....	48"	73"	79"
Height.....	20.6"	20.9"	20.9"
Working Depth-Scarifier...	3"	3.5"	3.5"
Cutting Edge.....	0.5" x 4"	0.5" x 6"	0.5" x 6"

PART	ATTACHMENT	SLP IN US \$
NUMBER	DESCRIPTION	

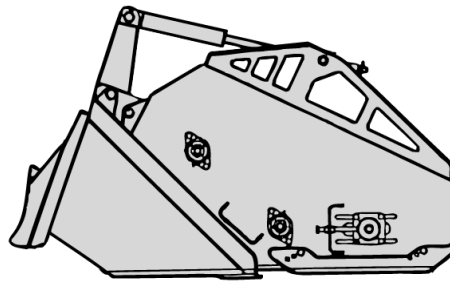
(MT50, MT52, MT55, MT85, MT100) (S70, S100) (T110)(L23,L28)		
6907173	48" DELUXE LANDPLANE (Includes expanded metal grate, scarifier assembly, teeth and respective hardware).....	\$1,292.00
(S100, S130, S150, S160, S175, S185, S205) (S450, S510, S530, S550, S570, S590, S595, S630, S650, S740, S750, S770) (S62, S64, S66, S76) (A770) (T110, T140, T180, T190) (T450, T550, T590, T595, T630, T650) (T62, T64, T66, T76)		
6906150	72" DELUXE LANDPLANE (Includes expanded metal grate, scarifier assembly, teeth and respective hardware)	\$2,267.00
(S130, S150, S160, S175, S185, S205) (S450, S510, S530, S550, S570, S590, S595, S630, S650, S740, S750, S770) (S62, S64, S66, S76) (A770) (T140, T180, T190) (T450, T550, T590, T595, T630, T650, T740, T750, T770) (T62, T64, T66, T76)		
6906115	78" DELUXE LANDPLANE (Includes expanded metal grate, scarifier assembly, teeth and respective hardware)	\$2,483.00

DESTINATION CHARGE/FUEL SURCHARGE

Refer to BobQuote or BobcatNET>>Other Resources>>Pricing Homepage for current Destination and Fuel Charges.

ATTACHMENT	ASSEMBLY REQUIRED	INSTALLATION TIME (HOURS)
-------------------	--------------------------	----------------------------------

Landplane.....	None.....	-
----------------	-----------	---



QUICK SPECS

	<u>5B</u>	<u>6B</u>
Operating Weight.....	1109 lbs.	1237 lbs.
Working Width	60"	72"
Overall Width.....	66.6"	78.6"
# of Tooth Bars	12	12
# of Teeth (total)	384	456
Bucket Capacity	12.1 cu. ft.	14.3 cu. ft.

PART NUMBER	ATTACHMENT DESCRIPTION	SLP IN US \$
-------------	------------------------	--------------

(S130, S150, S160, S175, S185, S205) (S450, S510, S530, S550, S570, S590, S595, S630, S650)
 (S62, S64, S66, S76) (T140, T180, T190) (T450, T550, T590, T595, T630, T650)
 (T62, T64, T66, T76)

6709107 5B LANDSCAPE RAKE \$7,912.00

(S150, S160, S175, S185, S205) (S510, S530, S550, S570, S590, S595, S630, S650, S740, S750, S770)
 (S62, S64, S66, S76) (A770) (T180, T190) (T550, T590, T595, T630, T650, T740, T750, T770)
 (T62, T64, T66, T76)

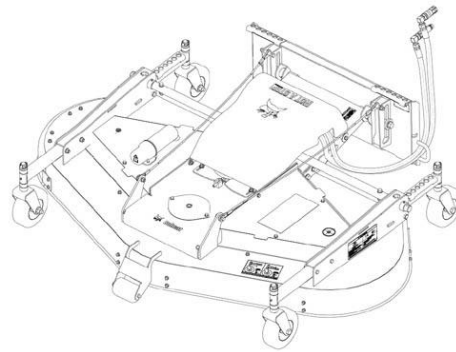
6710630 6B LANDSCAPE RAKE \$8,295.00

Note: Also order Inline Restrictor P/N 6631698 and Adapter P/N 1312113 from Bobcat Parts when installing a Landscape Rake on a 40 series loader.

DESTINATION CHARGE/FUEL SURCHARGE
 Refer to BobQuote or BobcatNET>>Other Resources>>Pricing Homepage for current Destination and Fuel Charges.

ATTACHMENT	ASSEMBLY REQUIRED	INSTALLATION TIME (HOURS)
------------	-------------------	---------------------------

Landscape Rake.....Install dump restrictor on loader **2.0**
 (One of each shipped with rake)



QUICK SPECS

	<u>72" Mower</u>	<u>90" Mower</u>
Operating Weight.....	880 lbs.	990 lbs.
Cutting Width.....	71.5"	89.5"
Overall Width.....	76"	94"
Overall Length.....	68"	75"
Cutting Height Range.....	2"—5.5"	2"—5.5"
(adjustable in ½ inch increments)		
Flow Range.....	15—22 gpm	15—22 gpm
Number of Blades.....	3	3
Shut-off Travel.....	8.5"	8.5"
Blade Tip Speeds.....	11,251 ft/min @ 15 GPM	11,026 ft/min @ 15 GPM
	15,002 ft/min @ 20 GPM	14,702 ft/min @ 20 GPM
	16,502 ft/min @ 22 GPM	16,172 ft/min @ 22 GPM
	Rear Discharge	Rear Discharge

PART NUMBER	ATTACHMENT DESCRIPTION	SLP IN US \$
-------------	------------------------	--------------

(S100, S130, S150, S160, S175, S185, S205) (S450, S510, S530, S550, S570, S590, S595, S630, S650, S740, S750, S770) (S62, S64, S66, S76) (A770) (T110, T140, T180, T190) (T450, T550, T590, T595, T630, T650, T750, T770) (T62, T64, T66, T76)

7144850 72" MOWER..... \$5,794.00

(S150, S160, S175, S185, S205) (S510, S530, S550, S570, S590, S595, S630, S650, S740, S750, S770, S850) (S62, S64, S66, S76) (A770) (T180, T190) (T550, T590, T595, T630, T650, T740, T750, T770, T870) (T62, T64, T66, T76)

7143993 90" MOWER..... \$6,339.00

PART NUMBER	DEALER INSTALLED ACCESSORIES – ORDER FROM PARTS DESCRIPTION	
-------------	---	--

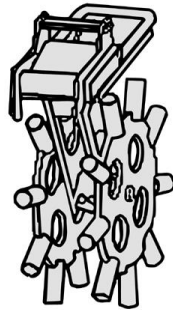
For current Dealer Installed Accessories pricing, reference BobQuote or Dealer Parts Department.

7144843	MULCH KIT FOR 72" MOWER.....	PARTS	\$ _____
7144008	MULCH KIT FOR 90" MOWER.....	PARTS	\$ _____
7144844	SIDE DISCHARGE KIT FOR 72" MOWER.....	PARTS	\$ _____
7144009	SIDE DISCHARGE KIT FOR 90" MOWER.....	PARTS	\$ _____

DESTINATION CHARGE/FUEL SURCHARGE
Refer to BobQuote or BobcatNET>>Other Resources>>Pricing Homepage for current Destination and Fuel Charges.

ATTACHMENT	ASSEMBLY REQUIRED	INSTALLATION TIME (HOURS)
-------------------	--------------------------	--------------------------------------

Side Discharge Kit	Install kit on mower	0.50
--------------------------	----------------------------	------



QUICK SPECS

Operating Weight.....	386 lbs.
Width.....	11"
Length.....	40.5"
Wheel Assembly.....	2
Wheel Diameter.....	30"
Compaction Depth.....	36.7"
Sheepfoot (hollow tube).....	18 (9 per wheel)

PART NUMBER	ATTACHMENT DESCRIPTION	SLP IN US \$
-------------	------------------------	--------------

(S130, S150, S160, S175, S185, S205) (S450, S510, S530, S550, S570, S590, S595, S630, S650, S740, S750, S770, S850) (S62, S64, S66, S76) (A770) (T140, T180, T190) (T450, T550, T590, T595, T630, T650, T740, T750, T770, T870) (T62, T64, T66, T76)

6806644	PACKER WHEEL.....	\$2,252.00
	(Must also order loader x-change mounting frame p/n 7141800)	

DEALER INSTALLED ACCESSORIES – ORDER FROM SALES		
PART NUMBER	DESCRIPTION	SLP IN US \$

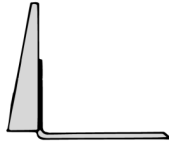
7141800	LOADER X-CHANGE MOUNTING FRAME.....	\$1,035.00
----------------	-------------------------------------	-------------------

DESTINATION CHARGE/FUEL SURCHARGE

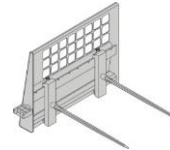
Refer to BobQuote or BobcatNET>>Other Resources>>Pricing Homepage for current Destination and Fuel Charges.

ATTACHMENT	ASSEMBLY REQUIRED	INSTALLATION TIME (HRS.)
------------	-------------------	--------------------------

Packer Wheel.....	None.....	-
-------------------	-----------	---



Standard Pallet Fork Teeth and Frame



Bale Forks and Frame

QUICK SPECS

<u>Frames</u>	<u>Frame Weight</u>	<u>Capacity</u>	<u>Width</u>	<u>Height</u>
<u>MT/S70</u>	105 lbs	1,350 lbs	36.8"	32"
<u>Standard Duty</u>	122 lbs	2,500 lbs	45.1"	34.3"
<u>Heavy Duty</u>	153 lbs	4,000 lbs	45.1"	34.3"
<u>Severe Duty</u>	229 lbs	5,500 lbs	51.5"	34.3"/43.2"

<u>Teeth</u>	<u>Weight Set 2</u>	<u>Length</u>	<u>Width</u>	<u>Height</u>
<u>MT/S70</u>	147 lbs	36"	4"	21"
<u>Standard Duty</u>	150 lbs	42"	4"	21"
<u>Heavys Duty</u>	164-184 lbs	42"/48"	4"	21"
<u>Severe Duty</u>	215-238 lbs	42"/48"	4"	21"
<u>Bale Fork</u>	119 lbs	43.8"	1.4"	21"

PART	ATTACHMENT	SLP IN US \$
NUMBER	DESCRIPTION	

(MT50, MT52, MT55, MT85, MT100) (S70)(L23,L28)		
6809716	BOB-TACH PALLET FORK FRAME, LESS TEETH.....	\$410.00
7276448	PALLET FORK FRAME CII, MT85, MT100	\$410.00
6540184	36" PALLET FORK TEETH, SET OF 2.....	\$284.00

Pallet Forks

A new ordering method will be required for bundles of buckets and pallet forks. Instead of ordering a different part number for a bundled product, you will simply use the single part number and the 'Change Quantity' box in OSS to order the quantity that meets the requirement for a bundle discount. The OSS order system will help step you through it and alert you if the product you are ordering can be bundled, what quantity needs to be ordered to get the discount, and what the discounted price will be.

Pallet Frames

(S100, S130, S150, S160, S175, S185, S205) (S450, S510, S530, S550, S570, S590, S595, S630, S650, S740, S750, S770, S850) (S62, S64, S66, S76) (A770) (T450, T550, T590, T595, T630, T650, T740, T750, T770, T870) (T62, T64, T66, T76) (L23,L28)

7297499	2.5K STANDARD DUTY PALLET FORK FRAME, LESS TEETH	\$335.00
	(Quantity discounts will be given on invoice to PN 7297499 when ordered in multiples of 10)	
7294305	4K HEAVY DUTY PALLET FORK FRAME, LESS TEETH	\$407.00
	(Quantity discounts will be given on invoice to PN 7294305 when ordered in multiples of 10)	
7294332	5.5K SEVERE DUTY PALLET FORK FRAME, LESS TEETH.....	\$649.00
	(Quantity discounts will be given on invoice to PN 7294332 when ordered in multiples of 10)	

Pallet Teeth

7308798	42", 2.5K STANDARD DUTY PALLET FORK TEETH, SET OF 2.....	\$263.00
	(Quantity discounts will be given on invoice to PN 7308798 when ordered in multiples of 10 pairs)	
6540183	42", 4K HEAVY DUTY PALLET FORK TEETH, SET OF 2.....	\$297.00
	(Quantity discounts will be given on invoice to PN 6540183 when ordered in multiples of 10 pairs)	
6540182	48", 4K HEAVY DUTY PALLET FORK TEETH, SET OF 2.....	\$304.00
	(Quantity discounts will be given on invoice to PN 6540182 when ordered in multiples of 10 pairs)	
6541521	42", 5.5K SEVERE DUTY PALLET FORK TEETH, SET OF 2.....	\$402.00
	(Quantity discounts will be given on invoice to PN 6541521 when ordered in multiples of 10 pairs)	
6541518	48", 5.5K SEVERE DUTY PALLET FORK TEETH, SET OF 2.....	\$453.00
	(Quantity discounts will be given on invoice to PN 6541518 when ordered in multiples of 10 pairs)	

Bale Forks

(STANDARD DUTY, HEAVY DUTY, SEVERE DUTY)

6815781	BALE FORKS, SET OF 2.....	\$682.00
----------------	----------------------------------	-----------------

PART	ATTACHMENT ACCESSORIES	SLP IN US \$
NUMBER	DESCRIPTION	SLP IN US \$

(STANDARD DUTY, HEAVY DUTY, SEVERE DUTY)

7306978	BRICK-GUARD CENTER	\$103.00
	(Quantity orders only on PN 7306978 in multiples of 5 only) (Compatible with Standard, Heavy and Severe Duty Frames)	

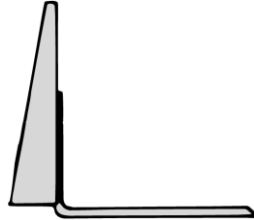
(SEVERE DUTY)

7306981	BRICK-GUARD EXTENSION.....	\$206.00
	(Quantity orders only on PN 7306978 in multiples of 5 only) (Compatible with Severe Duty Frames Only)	

DESTINATION CHARGE/FUEL SURCHARGE
Refer to BobQuote or BobcatNET>>Other Resources>>Pricing Homepage for current Destination and Fuel Charges.

ATTACHMENT	ASSEMBLY REQUIRED	INSTALLATION TIME (HOURS)
-------------------	--------------------------	----------------------------------

Pallet Fork Frame.....	Install forks on frame.....	.25
Brick-Guards	Install forks on frame.....	.10



QUICK SPECS

Ship Weight (Frame & Forks)..... 48" 565 lbs.
 Fork Width 4"

PART NUMBER	DESCRIPTION	ATTACHMENT	SLP IN US \$
-------------	-------------	------------	--------------

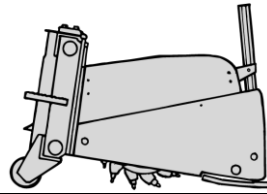
(S130, S150, S160, S175, S185, S205) (S450, S510, S530, S550, S570, S590, S595, S630, S650, S740, S750, S770, S850) (S62, S64, S66, S76) (A770) (T140, T180, T190) (T450, T550, T590, T595, T630, T650, T740, T750, T770, T870) (T62, T64, T66, T76)

6905425	48" HYDRAULIC PALLET FORK (Includes back frame and 2 hydraulically adjustable 48" teeth)	\$3,013.00
----------------	--	-------------------

DESTINATION CHARGE/FUEL SURCHARGE
 Refer to BobQuote or BobcatNET>>Other Resources>>Pricing Homepage for current Destination and Fuel Charges.

ATTACHMENT	ASSEMBLY REQUIRED	INSTALLATION TIME (HOURS)
------------	-------------------	---------------------------

Hydraulic Pallet Fork.....	None.....	-
----------------------------	-----------	---



QUICK SPECS

	<u>14"</u>	<u>18"</u>	<u>24"</u>	<u>40"</u>
Operating Weight	1107 lbs.*	1191 lbs.*	1254 lbs.*	2300 lbs.
Drum Width.....	14"	18"	24"	40"
Cutting Depth-Flat Planing.....	0 – 6"	0 – 6"	0 – 6"	0 – 5"
Sideshift.....	29.8"	29.8"	29.8"	25.6"
# of Bits	*	*	*	78
Hydraulic Oscillation.....	N/A	N/A	N/A	± 8°
Maximum Cutting Angle.....	± 15°	± 15°	± 15°	± 8°

* Does not include drum, dependent upon which drum is installed.

PART NUMBER	ATTACHMENT DESCRIPTION	SLP IN US \$
-------------	------------------------	--------------

(S130, S150, S160, S175, S185, S205) (S450, S510, S530, S550, S570, S590, S595, S630, S650, S740, S750, S770) (S62, S64, S66, S76) (A770) (T140, T180, T190) (T450, T550, T590, T595, T630, T650, T740H, T750, T770) (T62, T64, T66, T76)

M7019 14" PLANER, STANDARD FLOW..... \$9,255.00
 (Includes manual depth adjust, hydraulic sideshift and hoses)
 (Must also order drum option) (Attachment Control Kit is not required)

MUST order one of the following drum options with the 14" Planer, Standard Flow

M7019-R01-C03 14" ALL PURPOSE DRUM \$2,593.00
 (With 46 bits) (Ship Weight 277 lbs.)

M7019-R01-C07 NO DRUM FACTORY INSTALLED \$0.00

PART NUMBER	ATTACHMENT DESCRIPTION	SLP IN US \$
-------------	------------------------	--------------

(S160H, S185H, S205H) (S550H, S570H, S590H, S595H, S630H, S650H, S740 H, S750H, S770H, S850H) (S62H, S64H, S66H, S76H) (A770H) (T180H, T190H) (T550H, T590H, T595H, T630H, T650H, T740H, T750H, T770H, T870H) (T62H, T64H, T66H, T76H)

M7018 18" PLANER, HIGH FLOW..... \$13,891.00
 (Includes hydraulic depth adjust, hydraulic sideshift, and hoses) (Must also order drum option)
 (Loader must be equipped with an Attachment Control Kit) (When used on loaders equipped with a 14-Pin Attachment Control Kit , a 14-Pin Attachment T-Harness Kit P/N 7164095 is required – See Page 1)

MUST order one of the following drum options with the 18" Planer, High Flow

M7018-R01-C10 18" FAST CUT ALL PURPOSE DRUM..... \$3,295.00
 (With 47 bits) (Ship Weight 288 lbs.)

M7018-R01-C11 18" SMOOTH CUT ALL PURPOSE DRUM \$4,208.00
 (With 84 bits) (Ship Weight 340 lbs.)

M7018-R01-C12 NO DRUM FACTORY INSTALLED \$0.00

PART NUMBER	ATTACHMENT DESCRIPTION	SLP IN US \$
-------------	------------------------	--------------

(S185H, S205H) (S550H, S570H, S590H, S595H, S630H, S650H, S740H, S750H, S770H, S850H)
 (S62H, S64H, S66H, S76H) (A770H) (T180H, T190H) (T550H, T590H, T595H, T630H, T650H,
 T740H, T750H, T770H, T870H) (T62H, T64H, T66H, T76H)

M7017 24" PLANER, HIGH FLOW..... \$16,823.00
 (Includes hydraulic depth adjust, hydraulic sideshift, and hoses) (Must also order drum option)
 (Loader must be equipped with an Attachment Control Kit) (When used on loaders equipped
 with a 14-Pin Attachment Control Kit, a 14-Pin Attachment T-Harness Kit P/N 7164095
 is required – See Page 1)

MUST order one of the following drum options with the 24" Planer, High Flow

M7017-R01-C04 24" FAST CUT ALL PURPOSE DRUM..... \$4,467.00
 (With 57 bits) (Ship Weight 359 lbs.)

M7017-R01-C12 24" SMOOTH CUT ALL PURPOSE DRUM \$5,608.00
 (With 124 bits) (Ship Weight 453 lbs.)

M7017-R01-C13 NO DRUM FACTORY INSTALLED \$0.00

(S750H, S770H, S850H) (A770H) (T750H, T770H, T870H)

6726632 40" PLANER, HIGH FLOW..... \$28,021.00
 (Includes hydraulic depth adjust, 40" drum, hydraulic sideshift, hydraulic oscillation & hoses)
 (Loader must be equipped with an Attachment Control Kit) (When used on loaders equipped
 with a 14-Pin Attachment Control Kit, a 14-Pin Attachment T-Harness Kit is required – See Page 1)

· 963 loader requires a Case Drain P/N 6806348 and an Attachment Control Kit for use with 18" and 24" Planers
 · – see page I. Order Case Drain Kit from Bobcat Parts.

PART NUMBER	DEALER INSTALLED ACCESSORIES – ORDER FROM SALES DESCRIPTION	SLP IN US \$
-------------	---	--------------

Water Kit

NOTE: Water Kits are available for use with the Planer attachments – see Water Kit page for details.

Dealer Installed Drums for 14" – 24" Planers

6905178 2 ½" SLOT CUTTING DRUM..... \$1,352.00
 (For use in 14", 18" and 24" Planers) (With 21 bits) (Weight 89 lbs.)

6958406 4" SLOT CUT DRUM \$1,500.00
 (For use in 14", 18" and 24" Planers) (With 24 bits)(Weight 111 lbs.)

6661408 6" ALL PURPOSE DRUM..... \$1,965.00
 (For use in 14", 18" and 24" Planers) (With 34 bits) (Weight 150 lbs.)

7165473 8" ALL PURPOSE DRUM..... \$1,965.00
 (For use in 14", 18" and 24" Planers) (With 34 bits) (Weight 161 lbs.)

7165485 12" ALL PURPOSE DRUM..... \$2,456.00
 (For use in 14", 18" and 24" Planers) (With 40 bits) (Weight 200 lbs.)

6905404 14" ALL PURPOSE DRUM..... \$2,593.00
 (For use in 14", 18" and 24" Planers) (With 46 bits) (Weight 257 lbs.)

6906320 16" SURFACE DRUM..... \$5,716.00
 (For use in 18" and 24" Planers) (With 184 bits) (Weight 265 lbs.)

7165503 16" FAST CUT ALL PURPOSE DRUM \$3,338.00
 (For use in 18" and 24" Planers) (With 47 bits) (Weight 249 lbs.)

7165502 16" SMOOTH CUT ALL PURPOSE DRUM..... \$4,071.00
 (For use in 18" and 24" Planers) (With 84 bits) (Weight 301 lbs.)

7165505 18" FAST CUT ALL PURPOSE DRUM \$3,295.00
 (For use in 18" and 24" Planers) (With 47 bits) (Weight 268 lbs.)

7165506 18" SMOOTH CUT ALL PURPOSE DRUM..... \$4,208.00
 (For use in 18" and 24" Planers) (With 84 bits) (Weight 320 lbs.)

6958266 24" FAST CUT ALL PURPOSE DRUM \$4,467.00
 (For use in 24" Planer) (With 57 bits) (Weight 339 lbs.)

7165544 24" SMOOTH CUT ALL PURPOSE DRUM..... \$5,608.00
 (For use in 24" Planer) (With 124 bits) (Weight 433 lbs.)

PART NUMBER	DEALER INSTALLED ACCESSORIES – ORDER FROM PARTS DESCRIPTION
--------------------	--

For current Dealer Installed Accessories pricing, reference BobQuote or Dealer Parts Department.

7189709	WEIGHT KIT PARTS \$ _____ (For use with 18" and 24" Planers) (Improves down force on the planer drum) (Includes (4) 50 pound counterweights that bolt to the planer)	
7195012	HYDRAULIC OSCILLATION KIT PARTS \$ _____ (For use with 18" and 24" Planers) (Provides finger-tip control of drum oscillation) (The free-floating oscillation feature of the planer is lost when this kit is installed)	
6905975	GUIDE ROD KIT, 14" PLANER PARTS \$ _____ (Allows a seam or line to be followed more precisely)(Ship Weight 15 lbs.)	
6716451	GUIDE ROD KIT, 18" PLANER PARTS \$ _____ (Allows a seam or line to be followed more precisely)(Ship Weight 15 lbs.)	
6905199	GUIDE ROD KIT, 24" PLANER PARTS \$ _____ (Allows a seam or line to be followed more precisely)(Ship Weight 16 lbs.)	
6905612	PLANER WHEEL KIT PARTS \$ _____ (For use with 14", 18" and 24" Planers) (May be installed in lieu of skis on planer attachment) (Ship Weight 46 lbs.)	
6900637	PLANER ATTACHMENT OPERATOR TRAINING KIT PARTS \$ _____	

DESTINATION CHARGE/FUEL SURCHARGE
Refer to BobQuote or BobcatNET>>Other Resources>>Pricing Homepage for current Destination and Fuel Charges.

ATTACHMENT	ASSEMBLY REQUIRED	INSTALLATION TIME (HOURS)
Planer (Standard Flow)	None.....	-
Planer (High Flow)	None.....	-
Weight Kit	Install Bolt-on Weights	1.0
Hydraulic Oscillation Kit.....	Install Hydraulic Cylinder	3.0
Attachment Control Kit		See Page 1

QUICK SPECS

	<u>62"</u>	<u>68"</u>	<u>74"</u>	<u>82"</u>
Operating Weight	558 lbs.	605 lbs.	652 lbs.	700 lbs.
Overall Width	61.9"	68.6"	75.4"	82.1"
Overall Height	20.8"	20.8"	20.8"	20.8"
Overall Length (Bucket Lip or Bottom of Bucket)	43.6"	43.6"	43.6"	43.6"
Tine Spacing	3"	3"	3"	3"
Number of Tines	17	19	21	23

PART NUMBER	ATTACHMENT DESCRIPTION	SLP IN US \$
-------------	------------------------	--------------

(S100, S130, S150, S160, S175, S185, S205) (S450, S510, S530, S550, S570, S590, S595, S630, S650)
 (S62, S64, S66, S76) (T110, T140, T180, T190) (T450, T550, T590, T595, T630, T650)

(T62, T64, T66, T76)
7185941 62" ROCK BUCKET..... \$1,520.00

(S130, S150, S160, S175, S185, S205) (S450, S510, S530, S550, S570, S590, S595, S630, S650, S740, S750, S770) (S62, S64, S66, S76) (T140, T180, T190) (T450, T550, T590, T595, T630, T650)

(T62, T64, T66, T76)
7185943 68" ROCK BUCKET..... \$1,589.00

(S630, S650, S740, S750, S770, S850) (S76) (A770) (T630, T650, T740, T750, T770, T870) (T66, T76)

7185945 74" ROCK BUCKET..... \$1,660.00

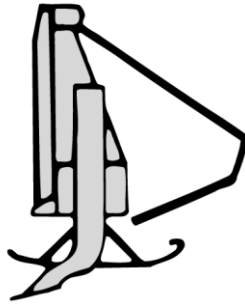
(S630, S650, S740, S750, S770, S850) (S76) (A770) (T630, T650, T740, T750, T770, T870) (T76)

7185947 82" ROCK BUCKET..... \$1,837.00

DESTINATION CHARGE/FUEL SURCHARGE
 Refer to BobQuote or BobcatNET>>Other Resources>>Pricing Homepage for current Destination and Fuel Charges.

ATTACHMENT	ASSEMBLY REQUIRED	INSTALLATION TIME (HOURS)
------------	-------------------	---------------------------

Rock Bucket 0.0



QUICK SPECS

Ship Weight..... 350 lbs.
 # of Teeth 5 (7 without depth guides)
 Maximum Dig Depth Approx. 6"

PART NUMBER	ATTACHMENT DESCRIPTION	SLP IN US \$
-------------	------------------------	--------------

(S130, S150, S160, S175, S185, S205) (S450, S510, S530, S550, S570, S590, S595, S630, S650, S740, S750, S770) (S62, S64, S66, S76)(A770) (T110, T140, T180, T190) (T450, T550, T590, T595, T630, T650)(T62, T64, T66, T76)

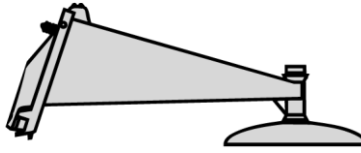
6563526 **FRONT SCARIFIER** **\$1,266.00**
 (Includes 2 Depth Guides and 5 Teeth)

DESTINATION CHARGE/FUEL SURCHARGE

Refer to BobQuote or BobcatNET>>Other Resources>>Pricing Homepage for current Destination and Fuel Charges.

ATTACHMENT	ASSEMBLY REQUIRED	INSTALLATION TIME (HOURS)
------------	-------------------	---------------------------

Front Scarifier.....Install teeth..... **0.5**



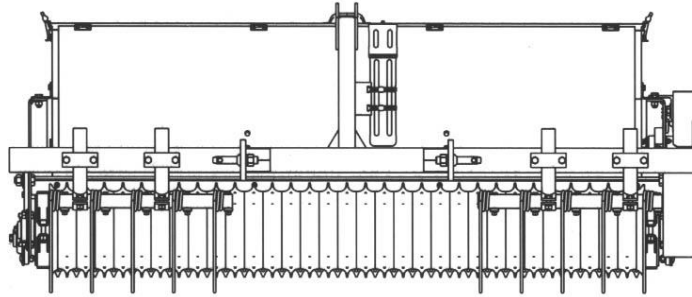
QUICK SPECS

	<u>Scraper</u>
Operating Weight	172 lbs.
Height.....	19"
Width.....	45"
Length	55"
Disk Diameter	22"

PART NUMBER	ATTACHMENT DESCRIPTION	SLP IN US \$
6675211	SCRAPER	\$1,218.00

DESTINATION CHARGE/FUEL SURCHARGE
 Refer to BobQuote or BobcatNET>>Other Resources>>Pricing Homepage for current Destination and Fuel Charges.

ATTACHMENT	ASSEMBLY REQUIRED	INSTALLATION TIME (HOURS)
Scrapers	None.....	-



QUICK SPECS

Weight (empty) 1,300 lbs.
 Weight (full)..... 1,425 lbs.
 Height..... 44.0"
 Overall Width..... 88.0"
 Working Width 72.0"
 Length 43.0"
 Hopper Capacity 4.0 bushels

PART NUMBER	ATTACHMENT DESCRIPTION	SLP IN US \$
-------------	------------------------	--------------

(S130, S150, S160, S175, S185, S205) (S450, S510, S530, S550, S570, S590, S595, S630, S650, S740, S750, S770, S850) (S62, S64, S66, S76) (A770) (T140, T180, T190) (T450, T550, T590, T595, T630, T650, T740, T750, T770, T870) (T62, T64, T66, T76)

7167712 SEEDER, 72", 3PT MOUNTING..... \$7,238.00
 (Must also order Bob-Tach adapter)

PART NUMBER	FACTORY INSTALLED OPTIONS DESCRIPTION	SLP IN US \$
-------------	---------------------------------------	--------------

7167758 BOB-TACH ADAPTER \$717.00
 (Allows Seeder to mount on Bob-Tach equipped machines)

PART NUMBER	DEALER INSTALLED ACCESSORIES – ORDER FROM SALES DESCRIPTION	SLP IN US \$
-------------	---	--------------

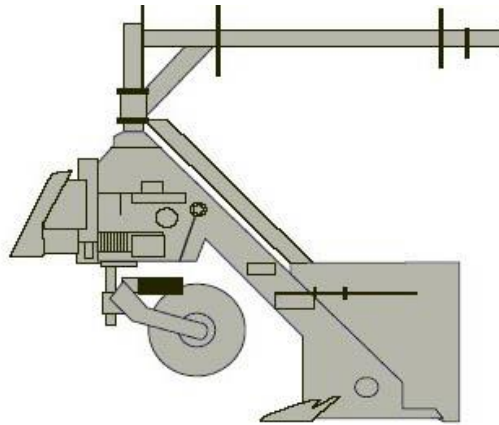
7167759 BOB-TACH ADAPTER \$661.00
 (Allows Seeder to mount on Bob-Tach equipped machines)

DESTINATION CHARGE/FUEL SURCHARGE

Refer to BobQuote or BobcatNET>>Other Resources>>Pricing Homepage for current Destination and Fuel Charges.

ATTACHMENT	ASSEMBLY REQUIRED	INSTALLATION TIME (HOURS)
------------	-------------------	---------------------------

Seeder.....None..... -



QUICK SPECS

	<u>Rigid Frame</u>	<u>3-PT Rigid Frame</u>	<u>72" Side-Shift*</u>	<u>84" Side-Shift*</u>
Operating Weight...	775 lbs.	985 lbs	1120 lbs.	1165 lbs.
Height.....	70"	70"	70"	70"
Width.....	45.5"	45.5"	72"	84"
Length	72.8"	86.7"	98"	98"

**weight includes 3-Point to Loader adapter*

PART NUMBER	ATTACHMENT DESCRIPTION	SLP IN US \$
-------------	------------------------	--------------

(S630, S650, S740, S750, S770, S850) (S76) (A770) (T180, T190) (T550, T590, T595, T630, T650, T740, T750, T770, T870) (T62, T64, T66, T76)

7137320	SILT FENCE INSTALLER..... (Must also order mounting frame)	\$5,106.00
---------	---	------------

PART NUMBER	FACTORY INSTALLED OPTIONS DESCRIPTION	SLP IN US \$
-------------	---------------------------------------	--------------

7137333	LOADER RIGID MOUNTING FRAME	\$1,225.00
7139171	3-POINT RIGID MOUNTING FRAME	\$1,205.00
	(Must also order Adapter p/n 7137334)	
7137332	3-POINT MOUNTING FRAME, 72" SIDE-SHIFT	\$2,445.00
	(Must also order Adapter p/n 7137334)	
7137331	3-POINT MOUNTING FRAME, 84" SIDE-SHIFT	\$2,580.00
	(Must also order Adapter p/n 7137334)	

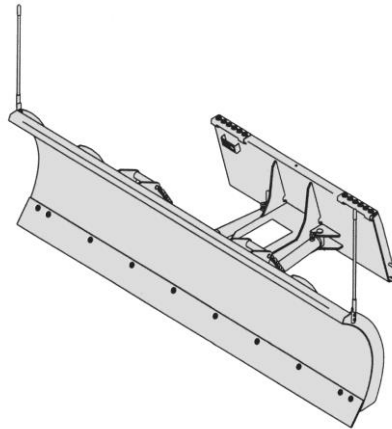
PART NUMBER	DEALER INSTALLED ACCESSORIES – ORDER FROM SALES DESCRIPTION	SLP IN US \$
-------------	---	--------------

7137334	ADAPTER, 3-POINT TO LOADER	\$701.00
7137759	HYDRAULIC TOP LINK.....	\$333.00
	(Recommended for use on tractor with 3-point)	

DESTINATION CHARGE/FUEL SURCHARGE
Refer to BobQuote or BobcatNET>>Other Resources>>Pricing Homepage for current Destination and Fuel Charges.

ATTACHMENT	ASSEMBLY REQUIRED	INSTALLATION TIME (HOURS)
-------------------	--------------------------	--------------------------------------

Silt Fence Installer	None.....	-
Mounting Frame	None.....	-
Adapter	None.....	-



QUICK SPECS

	<u>54"</u>	<u>60"</u>	<u>72"</u>	<u>84"</u>	<u>96"</u>
Operating Weight	310 lbs.	580 lbs.	590 lbs.	620 lbs.	660 lbs.
Width	54"	60"	72"	84"	96"
Height	21.9"	28"	28"	28"	28"
Working Width (Fully Angled)	46.8"	52"	63"	73"	83"
Steel Cutting Edge38" x 4"	.375" x 6"	.375" x 6"	.375" x 6"	.375" x 6"
Cylinders.....	1	2	2	2	2
Trip Springs	2	4	4	4	4
Optional Rubber Cutting Edge	1" x 5"	1" x 6"	1" x 6"	1" x 6"	1" x 6"
	<u>86" HD</u>	<u>96" HD</u>	<u>108" HD</u>		
Operating Weight	809 lbs.	867 lbs.	948 lbs.		
Width	86"	96"	108"		
Height	28.4"	28.4"	28.4"		
Working Width (Fully Angled)	75"	83"	93"		
Steel Cutting Edge5" x 6"	.5" x 6"	.5" x 6"		
Cylinders.....	1	1	1		
Trip Springs	4	4	6		
Optional Rubber Cutting Edge	1" x 6"	1" x 6"	1" x 6"		

PART		ATTACHMENT	
NUMBER	DESCRIPTION		SLP IN US \$
(MT50, MT52, MT55, MT85, MT100) (S70)			
7196165	54" UTILITY BLADE (WITH HYDRAULIC ANGLE)		\$1,787.00
	(To be used as either a Snow Blade or a Dozer Blade)		
(S100, S130, S150, S160) (T110) (S450, S510, S530, S550, S570, S590, S595) (T450)(L23,L28)			
6906107	60" SNOW BLADE (WITH HYDRAULIC ANGLE)		\$2,305.00
(S100, S130, S150, S160, S175, S185, S205) (S450, S510, S530, S550, S570, S590, S595, S630, S650) (S62, S64, S66, S76)(T110) (T450)			
6905156	72" SNOW BLADE (WITH HYDRAULIC ANGLE)		\$2,412.00
(S130, S150, S160, S175, S185, S205)(S450, S510, S530, S550, S570, S590, S595, S630, S650, S740, S750, S770) (S62, S64, S66, S76) (A770) (T450)			
6716836	84" SNOW BLADE (WITH HYDRAULIC ANGLE)		\$2,574.00
(S530, S550, S570, S590, S595, S630, S650, S740, S750, S770)(S62, S64, S66, S76) (A770) (T450)			
6716838	96" SNOW BLADE (WITH HYDRAULIC ANGLE)		\$2,790.00
(S130, S150, S160, S175, S185, S205) (S450, S510, S530, S550, S570, S590, S595, S630, S650, S740, S750, S770) (S62, S64, S66, S76) (A770) (T140, T180, T190) (T450, T550, T590, T595, T630, T650) (T62, T64, T66, T76)			
7207861	86" SNOW BLADE – HEAVY DUTY (WITH HYDRAULIC ANGLE).....		\$4,001.00
(S130, S150, S160, S175, S185, S205) (S530, S550, S570, S590, S595, S630, S650, S740, S750, S770) (S62, S64, S66, S76) (A770) (T140, T180, T190) (T450, T550, T590, T595, T630, T650, T740, T750, T770) (T62, T64, T66, T76)			
7207862	96" SNOW BLADE – HEAVY DUTY (WITH HYDRAULIC ANGLE).....		\$4,239.00
(S150, S160, S175, S185, S205) (S630, S650, S740, S750, S770, S850) (S76) (A770) (T180, T190) (T630, T650, T740, T750, T770, T870) (T76)			
7207863	108" SNOW BLADE – HEAVY DUTY (WITH HYDRAULIC ANGLE).....		\$4,535.00

PART		DEALER INSTALLED ACCESSORIES – ORDER FROM SALES	
NUMBER	DESCRIPTION		SLP IN US \$
6716834	END WING KIT		\$415.00
	(Converts 84" & 96" Snow Blades in to Snow Pushers)		
	(Not for use on 60" or 72" Snow Blades) (Not for use on Heavy Duty Snow Blades)		
	(Ship Weight 95 lbs.)		

PART		DEALER INSTALLED ACCESSORIES – ORDER FROM PARTS	
NUMBER	DESCRIPTION		

For current Dealer Installed Accessories pricing, reference BobQuote or Dealer Parts Department.

7199966	RUBBER WEAR EDGE KIT, 54"	PARTS	\$ _____
6906117	RUBBER WEAR EDGE KIT, 60"	PARTS	\$ _____
6905158	RUBBER WEAR EDGE KIT, 72"	PARTS	\$ _____
6905400	RUBBER WEAR EDGE KIT, 84"	PARTS	\$ _____
6905401	RUBBER WEAR EDGE KIT, 96"	PARTS	\$ _____
7169614	RUBBER WEAR EDGE KIT, 86" HD.....	PARTS	\$ _____
7169615	RUBBER WEAR EDGE KIT, 96" HD.....	PARTS	\$ _____
7169616	RUBBER WEAR EDGE KIT, 108" HD.....	PARTS	\$ _____

PART NUMBER	DEALER INSTALLED ACCESSORIES – ORDER FROM PARTS
DESCRIPTION	

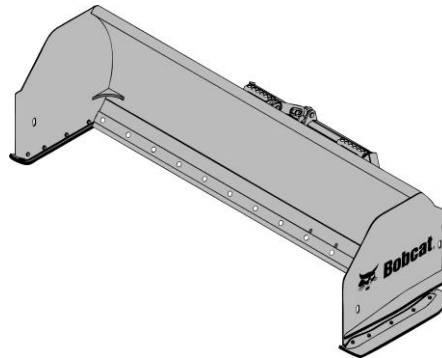
For current Dealer Installed Accessories pricing, reference BobQuote or Dealer Parts Department.

7195435	REPLACEMENT CUTTING EDGE, 54" ♦	PARTS	\$ _____
6905995	REPLACEMENT CUTTING EDGE, 60" ♦	PARTS	\$ _____
6905155	REPLACEMENT CUTTING EDGE, 72" ♦	PARTS	\$ _____
6673634	REPLACEMENT CUTTING EDGE, 84" ♦	PARTS	\$ _____
6673606	REPLACEMENT CUTTING EDGE, 96" ♦	PARTS	\$ _____
7135661	REPLACEMENT CUTTING EDGE, 86" HD ♦	PARTS	\$ _____
7161165	REPLACEMENT CUTTING EDGE, 96" HD ♦	PARTS	\$ _____
7160646	REPLACEMENT CUTTING EDGE, 108" HD ♦	PARTS	\$ _____
7199969	POLY WEAR EDGE KIT, 54"	PARTS	\$ _____
7169616	POLY WEAR EDGE KIT, 86" HD	PARTS	\$ _____
7169617	POLY WEAR EDGE KIT, 96" HD	PARTS	\$ _____
7169618	POLY WEAR EDGE KIT, 108" HD	PARTS	\$ _____

- ♦ Additional hardware for replacement cutting edges is needed.
- * Certain applications may cause premature wear of the Rubber Wear Edge.

DESTINATION CHARGE/FUEL SURCHARGE
Refer to BobQuote or BobcatNET>>Other Resources>>Pricing Homepage for current Destination and Fuel Charges.

ATTACHMENT	ASSEMBLY REQUIRED	INSTALLATION TIME (HOURS)
Utility Blade.....	Adjust shoes & install blade edge indicators.....	.25
Snow Blade	Adjust shoes & install blade edge indicators.....	.25
End Wing Kit	Install wings25
Replacement Cutting Edge Kits	Bolt on edge.....	0.50



QUICK SPECS

	<u>96"</u>	<u>120"</u>
Operating Weight	1122 lbs.	1256 lbs.
Overall Width	102"	128"
Working Width	94.6"	121"
Length.....	56.2"	56.2"
Height	37.8"	37.8"
Cutting Edge.....	1.5" x 8" Rubber	1.5" x 8" Rubber
Skid Shoes75" x 5" AR400	.75" x 5" AR400
Color	Orange	Orange
<i>Float</i>		
Vertical	2.3"	2.3"
Tilt	12 degrees	12 degrees
Oscillation.....	+/- 4.5 degrees	+/- 4.5 degrees

PART NUMBER	ATTACHMENT DESCRIPTION	SLP IN US \$
-------------	------------------------	--------------

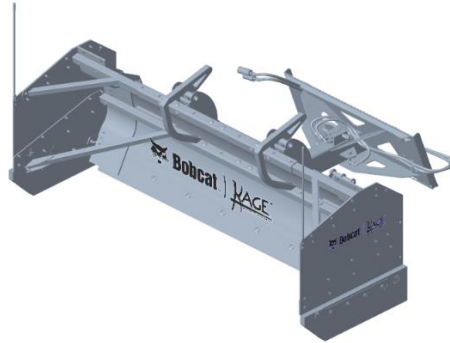
	(S130, S150, S160, S175, S185, S205) (S450, S510, S530, S550, S570, S590, S595, S630, S650, S740, S750, S770, S850) (S62, S64, S66, S76) (A770) (T140, T180, T190) (T450, T550, T590, T595, T630, T650, T740, T750, T770, T870) (T62, T64, T66, T76)	
7113767	96" SNOW PUSHER	\$3,334.00
	(S205) (S550, S570, S590, S595, S630, S650, S740, S750, S770, S850) (S62, S64, S66, S76) (A770) (T180, T190) (T550, T590, T595, T630, T650, T740, T750, T770, T870) (T62, T64, T66, T76)	
7116164	120" SNOW PUSHER	\$3,669.00

DESTINATION CHARGE/FUEL SURCHARGE

Refer to BobQuote or BobcatNET>>Other Resources>>Pricing Homepage for current Destination and Fuel Charges.

ATTACHMENT	ASSEMBLY REQUIRED	INSTALLATION TIME (HOURS)
------------	-------------------	---------------------------

Snow Pusher	None.....	-
-------------------	-----------	---



QUICK SPECS

	<u>72"</u>	<u>96"</u>
Operating Weight	1272 lbs.	1473 lbs.
Overall Width	80"	104"
Working Width	72"	96"
Length (includes interface).....	70.7"	75.8"
Height	40"	40"
Cutting Edge (High Carbon Steel)....	5/8" x 6"	5/8" x 6"
Skid Shoes (Poly)36" x 9.75" x 1.5"	.36" x 9.75" x 1.5"
Number of Trip Springs.....	4	4
Color	Orange	Orange
<u>Float</u>		
Tilt	35 degrees	35 degrees
Oscillation.....	+/- 6 degrees	+/- 6 degrees

	<u>108"</u>	<u>120"</u>
Operating Weight	1529 lbs.	1589 lbs.
Overall Width	116"	128"
Working Width	108"	120"
Length (includes interface).....	75.8"	75.8"
Height	40"	40"
Cutting Edge (High Carbon Steel)....	5/8" x 6"	5/8" x 6"
Skid Shoes (Poly)36" x 9.75" x 1.5"	.36" x 9.75" x 1.5"
Number of Trip Springs.....	4	4
Color	Orange	Orange
<u>Float</u>		
Tilt	35 degrees	35 degrees
Oscillation.....	+/- 6 degrees	+/- 6 degrees

PART	ATTACHMENT	SLP IN US \$
NUMBER	DESCRIPTION	

(S450*, S510, S530, S550, S570, S590, S595) (S62, S64, S66) (T140) (T450*, T550, T590, T595)
 (T62, T64, T66) (L23*, L28*)

7406869 72" SNOW PUSHER PRO \$7,425.00

(S150, S160, S175, S185, S205) (S510*, S530*, S550*, S570*, S590*, S595, S630, S650, S740, S750,
 S770, S850) (S62, S64, S66, S76) (A770) (T140, T180, T190) (T550*, T590*, T595, T630, T650,
 T740, T770, T870) (T62, T64, T66, T76)

7385513 96" SNOW PUSHER PRO \$7,800.00

(S175, S185, S205) (S590*, S595, S630, S650, S740, S750, S770, S850) (S62, S64, S66, S76) (A770)
 (T140, T180, T190) (T590*, T595 T630, T650, T740, T750, T770, T870) (T62, T64, T66, T76)

7385514 108" SNOW PUSHER PRO \$8,000.00

(S630, S650, S740, S750, S770, S850) (S76) (A770) (T180, T190) (T630, T650, T740, T750, T770,
 T870) (T76)

7385515 120" SNOW PUSHER PRO \$8,250.00

*Weight kit recommended

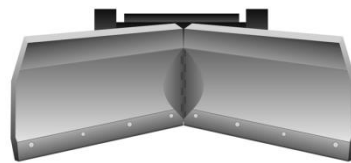
DEALER INSTALLED ACCESSORIES – ORDER FROM PARTS		
PART NUMBER	DESCRIPTION	SLP IN US \$
7396909	72" STEEL CUTTING EDGE (Includes hardware)	\$ ____
7396911	96" STEEL CUTTING EDGE (Includes hardware)	\$ ____
7396912	108" STEEL CUTTING EDGE (Includes hardware)	\$ ____
7396910	60" STEEL CUTTING EDGE **USE 2 FOR 120" CUTTING EDGE** (Includes hardware)	\$ ____
7396913	72" POLY CUTTING EDGE (Includes hardware)	\$ ____
7396914	96" POLY CUTTING EDGE (Includes hardware)	\$ ____
7396915	108" POLY CUTTING EDGE (Includes hardware)	\$ ____
7396916	120" POLY CUTTING EDGE (Includes hardware)	\$ ____
7396917	CURB GUARD KIT..... (Includes hardware)	\$ ____
7396918	BACKDRAG KIT (Includes hardware)	\$ ____
7396919	POLY SKID KIT (Includes hardware)	\$ ____

DESTINATION CHARGE/FUEL SURCHARGE
 Refer to BobQuote or BobcatNET>>Other Resources>>Pricing Homepage for current Destination and Fuel Charges.

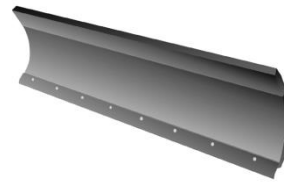
ATTACHMENT	ASSEMBLY REQUIRED	INSTALLATION TIME (HOURS)
Snow Pusher	None.....	



Blade in "V" Configuration



Blade in "Scoop" Configuration



Blade in "Angled" Configuration

QUICK SPECS

	<u>60"</u>	<u>72"</u>	<u>84"</u>	<u>96"</u>	<u>108"</u>
Operating Weight	660 lbs.	738 lbs.	779 lbs.	824 lbs.	868 lbs.
Operating Weight with Oscillating kit.....	N/A	972 lbs.	1013 lbs.	1058 lbs.	1102 lbs.
Width:					
V-Configuration	54"	64.5"	75"	85.5"	96"
Scoop-Configuration	53"	63"	74"	84"	95"
30° Angle-Configuration.....	54"	64"	75"	85"	95"
Straight-Configuration	62"	74"	86"	98"	110"
Height with Blade Extension	28.5"	32.8"	32.8"	32.8"	32.8"
Length.....	40"	47.3"	47.3"	47.3"	47.3"
Oscillation (with flotation kit) ...	N/A	+/- 10	+/- 10	+/- 10	+/- 10

PART		ATTACHMENT	SLP IN US \$
NUMBER	DESCRIPTION		

(S70, S100) (S130, S150, S160, S175, S185, S205) (S450, S510, S530, S550, S570, S590, S595)
 (S62, S64)(T110, T140) (T450)(L23,L28)

7104861 60" SNOW V-BLADE, 7-PIN..... \$4,254.00
 (Loader must be equipped with an Attachment Control Kit – see Page 1)
 (When used on loaders equipped with a 14-Pin Attachment Control Kit a 14-Pin Attachment T-Harness Kit (P/N 6725383) is required – See Page 1)
 (Blade is equipped with fingertip 7-Pin Control. Adjustable blade width from 53-60 inches.)

(S130, S150, S160, S175, S185, S205) (S450, S510, S530, S550, S570, S590, S595) (S62, S64, S66)
 (T140, T180, T190) (T450, T550, T590, T595) (T62, T64, T66)

6958576 72" SNOW V-BLADE \$4,471.00
 (Loader must be equipped with an Attachment Control Kit) (When used on loaders equipped with a 14-Pin Attachment Control Kit a 14-Pin Attachment T-Harness Kit (P/N 6725383) is required – See Page 1)

(S130, S150, S160, S175, S185, S205) (S450, S510, S530, S550, S570, S590, S595, S630, S650, S740, S750, S770) (S62, S64, S66, S76) (A770) (T140, T180, T190) (T450, T550, T590, T595, T630, T650, T740, T750, T770) (T62, T64, T66, T76)

6958577 84" SNOW V-BLADE \$4,686.00
 (Loader must be equipped with an Attachment Control Kit) (When used on loaders equipped with a 14-Pin Attachment Control Kit a 14-Pin Attachment T-Harness Kit (P/N 6725383) is required – See Page 1)

(S175, S185, S205) (S530, S550, S570, S590, S595, S630, S650, S740, S750, S770) (S62, S64, S66, S76) (A770) (T180, T190) (T550, T590, T595, T630, T650, T740, T750, T770) (T62, T64, T66, T76)

6958578 96" SNOW V-BLADE \$4,901.00
 (Loader must be equipped with an Attachment Control Kit) (When used on loaders equipped with a 14-Pin Attachment Control Kit a 14-Pin Attachment T-Harness Kit (P/N 6725383) is required – See Page 1)

PART		ATTACHMENT	
NUMBER	DESCRIPTION		SLP IN US \$

(S630, S650, S740, S750, S770) (S76) (A770) (T630, T650, T740, T750, T770) (T76)			
6958579	108" SNOW V-BLADE		\$5,116.00
	(Loader must be equipped with an Attachment Control Kit) (When used on loaders equipped with a 14-Pin Attachment Control Kit a 14-Pin Attachment T-Harness Kit (P/N 6725383) is required – See Page 1)		

PART		DEALER INSTALLED ACCESSORIES – ORDER FROM SALES	
NUMBER	DESCRIPTION		SLP IN US \$

7102603	BLADE FLOTATION KIT		\$765.00
	(Allows blade to oscillate +/- 10 degrees, includes pin to lock in place at 0 degrees) (Approved for use with 72", 84", 96" and 108" Snow V-Blades) (The frame flotation mounts between the existing frame and blade and will extend the overall blade length eight-inches from the Bob-Tach.) (Shipping weight 254 lbs.) (Estimated install time 1.5 hrs)		

PART		DEALER INSTALLED ACCESSORIES – ORDER FROM PARTS	
NUMBER	DESCRIPTION		

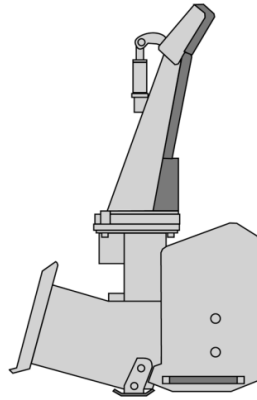
For current Dealer Installed Accessories pricing, reference BobQuote or Dealer Parts Department.

6958664	60" RUBBER CUTTING EDGE KIT	PARTS	\$ _____
	(Includes hardware)		
6958665	72" RUBBER CUTTING EDGE KIT	PARTS	\$ _____
	(Includes hardware)		
6958666	84" RUBBER CUTTING EDGE KIT	PARTS	\$ _____
	(Includes hardware)		
6958667	96" RUBBER CUTTING EDGE KIT	PARTS	\$ _____
	(Includes hardware)		
6958668	108" RUBBER CUTTING EDGE KIT	PARTS	\$ _____
	(Includes hardware)		

DESTINATION CHARGE/FUEL SURCHARGE	
Refer to BobQuote or BobcatNET>>Other Resources>>Pricing Homepage for current Destination and Fuel Charges.	

ASSEMBLY REQUIRED		INSTALLATION
ATTACHMENT		TIME (HOURS)

Snow V-Blade.....	None.....	-
Flotation Kit (dealer installed)	Install oscillating kit.....	1.5 hrs.



QUICK SPECS

	<u>SB150 x 36</u>	<u>SB150 x 48</u>	<u>SB200 x 60</u>	<u>SB200 x 66</u>	<u>SB200 x 72</u>
Chute Control	Hydraulic 276°	Hydraulic 276°	Hydraulic 270°	Hydraulic 270°	Hydraulic 270°
Deflector Control....	Hydraulic	Hydraulic	Hydraulic	Hydraulic	Hydraulic
Throw Distance.....	Up to 25 ft.	Up to 25 ft.	Up to 40 ft.	Up to 40 ft.	Up to 40 ft.
Flow Required	8.5 - 14 gpm	8.5 - 14 gpm	14.5 - 31 gpm	14.5 - 31 gpm	14.5 - 31 gpm
Fan Diameter	15"	15"	20"	20"	20"
Auger Diameter	14"	14"	14"	14"	14"
Cutting Width	36"	48"	60"	66"	72"
Overall Width	39.4"	51.4"	62.5"	68.5"	74.5"
Intake Height	23"	23"	25"	25"	25"
Operating Weight ...	428 lbs.	465 lbs.	785 lbs.	810 lbs.	835 lbs.
	<u>SB200 x 78</u>	<u>SB240 x 72</u>	<u>SB240 x 84</u>	<u>SBX240 x 72</u>	<u>SBX240 x 84</u>
Chute Control	Hydraulic 270°	Hydraulic 270°	Hydraulic 270°	Hydraulic 270°	Hydraulic 270°
Deflector Control....	Hydraulic	Hydraulic	Hydraulic	Hydraulic	Hydraulic
Throw Distance.....	Up to 40 ft.	Up to 40 ft.	Up to 40 ft.	Up to 45 ft.	Up to 45 ft.
Flow Required	16.5 - 31 gpm	21 - 31 gpm	25 - 31 gpm	35 - 42 gpm	35 - 42 gpm
Fan Diameter	20"	24"	24"	24"	24"
Auger Diameter	14"	18"	18"	18.5"	18.5"
Cutting Width	78"	72"	84"	72"	84"
Overall Width	80.5"	74.5"	86.5"	74.5"	86.5"
Intake Height	25"	34.5"	34.5"	33.5"	33.5"
Operating Weight ...	860 lbs.	1010 lbs.	1070 lbs.	1045 lbs.	1105 lbs.

HYDRAULIC MOTOR PACKAGES **HYDRAULIC FLOW RANGE**

*Must order a Hydraulic Motor Package with the SB200 & SB240 Snowblower Models
 For current loaders only – match hydraulic flow of older loaders with snowblower flow recommendations*

5.5 Hydraulic Motor Package	14.5 – 18 gpm
6.2 Hydraulic Motor Package	16.5 – 21 gpm
8.0 Hydraulic Motor Package	21 – 26 gpm
9.6 Hydraulic Motor Package	25 – 31 gpm

PART NUMBER	SB150 SNOWBLOWER	SLP IN US \$
-------------	-------------------------	--------------

(MT52, MT55, MT85, MT100) (S70)

M7007	SB150 x 36" (Loader must be equipped with a Bobcat 14-Pin Attachment Control Kit) (Snowblower includes hydraulic motor package)	\$4,764.00
--------------	--	-------------------

(MT52, MT55, MT85, MT100) (S70, S100) (T110)(L23,L28)

M7008	SB150 x 48" (Loader must be equipped with a Bobcat 14-Pin Attachment Control Kit) (Snowblower includes hydraulic motor package)	\$4,923.00
--------------	--	-------------------

PART NUMBER	SB200 SNOWBLOWER	SLP IN US \$
-------------	-------------------------	--------------

Preferred Hydraulic Motor Package (BOLD)

Must order a hydraulic motor package with the SB200 & SB240 Snowblowers

Loader must be equipped with a 7-pin Attachment Control Kit

(S130, S150*, S160*, S160H*, S175*, S185*, S185H*, S205*, S205H*)(S450*, S510*, S530*, S550*, S550H*, S570*, S570H*, S590*, S590H*, S595*, S595H*)(T180, T190, T450)

M7001	SB200 x 60" Snowblower	\$4,833.00
--------------	-------------------------------------	-------------------

M7001-R01-C01	5.5 Hydraulic Motor Package (S130, S150*, S160*, S175*, S185*, S205*, S450, S510*, S530*, S550*, S570*, S590*, S595*, S62*, S64*, S66*)(T180, T190, T450)	\$1,159.00
---------------	--	------------

M7001-R01-C02	6.2 Hydraulic Motor Package..... (S130, S150*, S160*, S175*, S185*, S205*, S450, S510*, S530*, S550*, S570*, S590* S595*, S62*, S64*, S66*)(T180, T190, T450, T62, T64, T66)	\$1,159.00
---------------	---	------------

M7001-R01-C03	8.0 Hydraulic Motor Package (S630, S650, S740, S750, S770, A770)	\$1,225.00
---------------	---	------------

M7001-R01-C04	9.6 Hydraulic Motor Package (S160H*, S185H*, S205H*, S550H*, S570H*, S590H*, S595H*, S62*, S64*, S66*)	\$1,295.00
---------------	---	------------

(S130, S150, S160, S160H, S175, S185, S185H, S205, S205H, S250, S300)
 (S450, S510, S530, S550, S550H, S570, S570H, S590, S590H, S595, S595H, S630*, S630H*, S650*, S650H*, S740*, S750*, S770*) (S62, S62H, S64, S64H, S66, S66H) (T180, T180H, T190, T190H) (T450, T550, T550H, T590, T590H, T595, T595H) (T62, T62H, T64, T64H, T66, T66H)

M7002	SB200 x 66" Snowblower	\$4,984.00
--------------	-------------------------------------	-------------------

M7002-R01-C01	5.5 Hydraulic Motor Package (S130, S150, S160, S175, S185, S205, S450, S510, S530, S550, S570, S590, S595, S62, S64, S66) (T180, T190, T450, T590, T595, T62, T64, T66)	\$1,159.00
---------------	--	------------

M7002-R01-C02	6.2 Hydraulic Motor Package (S130, S150, S160, S175, S185, S205, S250, S300, S450, S510, S530) (S550, S570, S590, S595, S62, S64, S66) (T180, T190, T450, T550, T590, T595, T62, T64, T66)	\$1,159.00
---------------	---	------------

M7002-R01-C03	8.0 Hydraulic Motor Package (S630, S650, S740, S750, S770, A770)	\$1,225.00
---------------	---	------------

M7002-R01-C04	9.6 Hydraulic Motor Package (S160H, S185H, S205H, S550H, S570H, S590H, S595H, S630H*, S650H*, S62H, S64H, S66H)(T180H, T190H, T550H, T590H, T595H, T62H, T64H, T66H)	\$1,295.00
---------------	---	------------

***Offset rims required**

PART NUMBER	SB200 SNOWBLOWER	SLP IN US \$
-------------	------------------	--------------

Preferred Hydraulic Motor Package (BOLD)
Must order a hydraulic motor package with the SB200 Snowblowers
Loader must be equipped with a 7-pin Attachment Control Kit

(S130, S150, S160, S160H, S175, S185, S185H, S205, S205H, S250, S300, S330) (S450, S510, S530, S550, S550H, S570, S570H, S590, S590H, S595, S595H, S630, S630H, S650, S650H, S740, S750, S770) (S62, S62H, S64, S66, S76) (A300, A770) (T180, T180H, T190, T190H) (T450, T550, T550H, T590, T590H, T595, T595H, T630*, T630H*, T650*, T650H*, T740,* T740H*, T750*, T770*) (T62, T62H, T64, T64H, T66, T66H)

M7003	SB200 x 72" Snowblower	\$5,148.00
M7003-R01-C01	5.5 Hydraulic Motor Package (S130, S150, S160, S175, S185, S205, S450, S510, S530, S550, S570, S590, S595, S62, S64, S66) (T180, T190, T450, T590, T595, T62, T64, T66)	\$1,159.00
M7003-R01-C02	6.2 Hydraulic Motor Package (S130, S150, S160, S175, S185, S205, S250, S300, S330, S450, S510) (S530, S550, S570, S590, S595, S62, S64, S66)(A300)(T180, T190, T450, T550, T590) T595, T62, T64, T66)	\$1,159.00
M7003-R01-C03	8.0 Hydraulic Motor Package (S630, S650, S740, S750, S770, S76) (A770) (T630*, T650*, T740*, T750*, T770*) (T76*)	\$1,225.00
M7003-R01-C04	9.6 Hydraulic Motor Package (S160H, S185H, S205H, S550H, S570H, S590H, S595H, S630H, S650H, S62H) S64H, S66H, S76H) (T180H, T190H, T550H, T590H, T595H, T630H*, T650H*, T740H*, T76H)	\$1,295.00

(S160H, S185H, S205H, S250, S300, S330) (S510, S530, S550, S550H, S570, S570H, S590, S590H, S595, S595H, S630, S630H, S650, S650H, S740, S750, S770, S850) (S62, S62H, S64, S64H, S66, S66H, S76, S76H) (A300, A770) (T180H, T190H) (T300, T320, T550, T550H, T590, T590H, T595, T595H, T630, T630H, T650, T650H, T740, T740H, T750, T770) (T62, T62H, T64, T64H, T66, T66H, T76, T76H)

M7004	SB200 x 78" Snowblower	\$5,458.00
M7004-R01-C02	6.2 Hydraulic Motor Package (S250, S300, S330, S510, S530, S550, S570, S590, S595, S62, S64, S66) (T300, T320, T550, T590, T595, T62, T64, T66)	\$1,159.00
M7004-R01-C03	8.0 Hydraulic Motor Package (S630, S650, S740, S750, S770, S850, S76) (A770) (T300, T320, T630, T650, T740, T750, T770, T76)	\$1,225.00
M7004-R01-C04	9.6 Hydraulic Motor Package (S160H, S185H, S205H, S550H, S570H, S590H, S595H, S630H, S650H, S740, S750, S770, S850, S62H, S64H, S66H, S76H) (T180H, T190H, T550H, T590H T595H, T630H, T650H, T740H, T770) (T62H, T64H, T66H, T76H)	\$1,295.00

*** Narrow Track Required**

PART NUMBER	SB240 SNOWBLOWER	SLP IN US \$
-------------	------------------	--------------

Preferred Hydraulic Motor Package (BOLD)
Must order a hydraulic motor package with the SB240 Snowblowers
Loader must be equipped with a 7-pin Attachment Control Kit

(S160H, S185H, S205H) (S550H, S570H, S590H, S595H, S630H, S650H, S740, S750, S770) (S62H, S64H, S66H, S76H) (A770) (T180H, T190H) (T590H, T595H, T630H*, T650H*, T740, T740H, T750*, T770*) (T62H, T64H, T66H, T76H)

M7005	SB240 x 72" Snowblower	\$6,666.00
M7005-R01-C03	8.0 Hydraulic Motor Package (S740, S750, S770) (A770) (T740, T750*, T770*)	\$1,225.00
M7005-R01-C04	9.6 Hydraulic Motor Package (S160H, S185H, S205H, S550H, S570H, S590H, S595H, S630H, S650H) (S62H, S64H, S66H, S76H) (T180H, T190H, T590H, T595H, T630H*, T650H*, T740H) (T62H, T64H, T66H, T76H)	\$1,295.00

(S630H, S650H) (S76H) (T180H, T190H) (T630H, T650H, T740H, T870) (T76H)

M7006	SB240 x 84" Snowblower	\$6,799.00
M7006-R01-C03	8.0 Hydraulic Motor Package (S740, S750, S770) (A770) (T740, T750*, T770*)	\$1,225.00
M7006-R01-C04	9.6 Hydraulic Motor Package (S630H, S650H) (T180H, T190H, T630H, T650H, T740H, T870)	\$1,295.00

PART NUMBER	SBX240 SNOWBLOWER	SLP IN US \$
-------------	-------------------	--------------

Approved for use with loaders equipped with 37 GPM high flow only

(S250H, S300H, S330H, S750H, S770H) (A300H, A770H) (T300H, T320H, T750H*, T770H*)

M7009	SBX240 x 72"	\$8,516.00
	(Approved for use with loaders equipped with high flow: S220 s/n 526214400 & above; S250 s/n 5260167000 & above; S300 s/n 525815600 & above; T250 s/n 525613400 & above; T300 s/n 525414500 & above; A300 s/n 526412200 & above) (Snowblower includes hydraulic motor package)	

(S250H, S300H, S330H, S750H, S770H, S850H)(A300H, A770H)(T300H, T320H, T750H, T770H, T870H)

M7010	SBX240 x 84"	\$8,675.00
	(Approved for use with loaders equipped with high flow: S220 s/n 526214400 & above; S250 s/n 5260167000 & above; S300 s/n 525815600 & above; T250 s/n 525613400 & above; T300 s/n 525414500 & above; A300 s/n 526412200 & above) (Snowblower includes hydraulic motor package)	

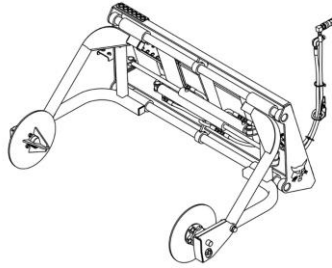
PART	DEALER INSTALLED ACCESSORIES – ORDER FROM SALES	
NUMBER	DESCRIPTION	SLP IN US \$

6958978	TRUCK LOADING CHUTE	\$1,671.00
	(For SB240 and SBX240 Snowblowers, will not fit SB200) (For use with high flow loaders only) (Includes deflector control, support mount and hoses) (Ship weight 170 lbs., chute weight 145 lbs.) (Estimated installation time 2.5 hours)	

DESTINATION CHARGE/FUEL SURCHARGE
Refer to BobQuote or BobcatNET>>Other Resources>>Pricing Homepage for current Destination and Fuel Charges.

ATTACHMENT	ASSEMBLY REQUIRED	INSTALLATION TIME (HOURS)
-------------------	--------------------------	----------------------------------

Snowblower	Install Chute	0.5
Truck Loading Chute	Remove standard chute, install truck loading chute.....	2.5



QUICK SPECS

Operating Weight	596 lbs.
Length	49.1"
Width (maximum overall).....	73.0"
Height.....	31.0"
Sod Roll Widths	24.0" – 48.0"
Maximum Diameter Sod Roll	50.0"
Arm Cylinders (2)	2.0" X 1.0" X 18.5" Stroke
Relief Vaule Setting	400 psi

PART NUMBER	DESCRIPTION	ATTACHMENT	SLP IN US \$
----------------	-------------	------------	--------------

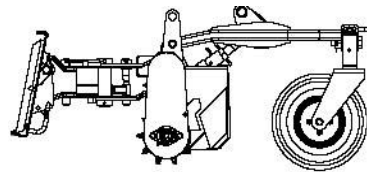
(S130, S150, S160, S175, S185, S205) (S450, S510, S530, S550, S570, S590, S595, S630, S650, S740, S750, S770, S850) (S62, S64, S66, S76) (A770) (T140, T180, T190) (T450, T550, T590, T595, T630, T650, T740, T750, T770, T870) (T62, T64, T66, T76)

6906783 SOD LAYER \$4,007.00

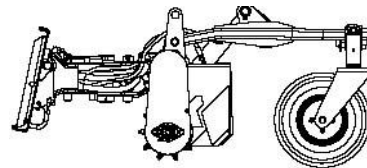
DESTINATION CHARGE/FUEL SURCHARGE
 Refer to BobQuote or BobcatNET>>Other Resources>>Pricing Homepage for current Destination and Fuel Charges.

ATTACHMENT	ASSEMBLY REQUIRED	INSTALLATION TIME (HOURS)
------------	-------------------	------------------------------

Sod Layer.....None..... -



72-in



84-in

QUICK SPECS

	<u>48-in Man.</u>	<u>72-in Man</u>	<u>72-in Hyd.</u>
Overall Length.....	57.9"	67.9"	67.9"
Overall Width	60.6"	86.2"	86.2"
Working Width – Fully Angled....	46.0"	65.0"	65.0"
Degree of Angle			
Left or Right.....	25 deg.	25 deg.	25deg.
Number of Teeth.....	81	121	121
Operating Weight	636 lbs.	1110 lbs.	1110 lbs.
Hydraulic Requirements	10-18 gpm	13-37 gpm	13-37 gpm
Tires	Pneumatic	Pneumatic	Foam-Filled
Float or Lock Position	Lock	Both	Both
Depth Adjustment.....	Manual	Manual	Hydraulic
Angle Adjustment.....	Manual	Manual	Hydraulic
	<u>72-in High Fl</u>	<u>84-in Hyd.</u>	<u>84-in High Fl</u>
Overall Length.....	67.9"	67.9"	67.9"
Overall Width	86.2"	98.2"	98.2"
Working Width – Fully Angled....	65.0"	76.0"	76.0"
Degree of Angle			
Left or Right.....	25 deg.	25 deg.	25 deg.
Number of Teeth.....	121	141	141
Operating Weight	1110 lbs.	1268 lbs.	1268 lbs.
Hydraulic Requirements	25-37 gpm	18-37 gpm	30-37 gpm
Tires	Foam-Filled	Foam-Filled	Foam-Filled
Float or Lock Position	Both	Both	Both
Depth Adjustment.....	Hydraulic	Hydraulic	Hydraulic
Angle Adjustment.....	Hydraulic	Hydraulic	Hydraulic

PART NUMBER	ATTACHMENT DESCRIPTION	SLP IN US \$
----------------	---------------------------	--------------

(MT50, MT52, MT55, MT85, MT100) (S70, S100) (T110)(L23,L28) 6958310	48" SOIL CONDITIONER, MANUAL ANGLE.....	\$6,768.00
(S130, S150, S160, S160H, S175, S185, S185H, S205, S205H) (S450, S510, S530, S550, S550H, S570, S570H, S590, S590H, S595, S595H, S630, S630H, S650, S650H, S740, S740H, S750, S750H, S770, S770H) (S62, S62H, S64, S64H, S66, S66H, S76, S76H) (A770, A770H) (T140, T180, T180H, T190, T190H) (T450, T550, T550H, T590, T590H, T595, T595H, T630, T630H, T650, T650H, T740H, T770, T770H) (T62, T62H, T64, T64H, T66, T66H, T76, T76H) 6906513	72" SOIL CONDITIONER, MANUAL ANGLE.....	\$8,873.00
7135945	72" SOIL CONDITIONER, HYDRAULIC ANGLE AND DEPTH..... (Loader must be equipped with an Attachment Control Kit)	\$9,642.00
(S160H, S185H, S205H) (S550H, S570H, S590H, S595H, S630H, S650H, S740H, S750H, S770H) (S62H, S64H, S66H, S76H) (A770H) (T180H, T190H) (T550H, T590H, T595H, T630H, T650H, T740H, T750H, T770H) (T62H, T64H, T66H, T76H) 7135944	72" SOIL CONDITIONER, HIGH FLOW HYDRAULIC ANGLE AND DEPTH ... (Loader must be equipped with an Attachment Control Kit)	\$9,975.00
(S175, S185, S185H, S205, S205H) (S510, S530, S550, S550H, S570, S570H, S590, S590H, S595, S595H, S630, S630H, S650, S650H, S740, S740H, S750, S750H, S770, S770H, S850) (S62, S62H, S64, S64H, S66, S66H, S76, S76H) (A770, A770H) (T180, T180H, T190, T190H) (T550, T550H, T590, T590H, T595, T595H, T630, T630H, T650, T650H, T740, T740H, T750, T750H, T770, T770H, T870) (T62, T62H, T64, T64H, T66, T66H, T76, T76H) 7135946	84" SOIL CONDITIONER, HYDRAULIC ANGLE AND DEPTH (Loader must be equipped with an Attachment Control Kit)	\$10,196.00
(S630H, S650H, S740H, S750H, S770H, S850H) (S76H) (A770H) (T630H, T650H, T740H, T750H, T770H, T870H) (T76H) 7135947	84" SOIL CONDITIONER, HIGH FLOW HYDRAULIC ANGLE AND DEPTH ... (Loader must be equipped with an Attachment Control Kit)	\$10,640.00

DESTINATION CHARGE/FUEL SURCHARGE
Refer to BobQuote or BobcatNET>>Other Resources>>Pricing Homepage for current Destination and Fuel Charges.

ATTACHMENT	ASSEMBLY REQUIRED	INSTALLATION TIME (HOURS)
Soil Conditioner – manual angle	Adjust Bolster.....	.25
Soil Conditioner – hydraulic angle.....	None.....	-
Attachment Control Kit		See Page



QUICK SPECS

Ship Weight..... 260 lbs.

Increase your auger, backhoe or tree spade performance in a wide range of jobs with a set of frame-mounted rear stabilizers. Improves performance by transferring weight of the loader to the auger, backhoe or tree spade where it's needed for better digging capability. Rear stabilizers also assist in leveling the loader on uneven terrain. Rear stabilizers are available for most Bobcat loaders and can be quickly mounted and removed.

Note: Installation of Rear Stabilizers requires Rear Auxiliary Hydraulics. For Rear Auxiliary Hydraulics, refer to the Dealer Installed sections of the Loader price pages.

PART NUMBER	ATTACHMENT DESCRIPTION	SLP IN US \$
-------------	------------------------	--------------

(S130, S150, S160, S175, S185, S205) (S450*, S510, S530, S550, S570, S590, S595, S630, S650, S740, S750, S770, S850) (A770) (T140, T180, T190) (T450, T550, T590, T595, T630, T650, T740, T750, T770)

6811449 QUICK-TACH REAR STABILIZER KIT PARTS _____
 (Must also order mounting kit) (Loader must be equipped with Rear Auxiliary Hydraulic Kit)
 (Intended for use with 607, 709, 8709, 811 and 8811 Backhoes, Augers and Tree Spades)
 (Rear Stabilizers NOT compatible with Bob-Tach Mounted Backhoe P/N 6906767)

*Must order the counter weight kit - axle P/N 7204315 when mounting rear stabilizers on S450.

PART NUMBER	DEALER INSTALLED ACCESSORIES – ORDER FROM SALES DESCRIPTION	SLP IN US \$
-------------	---	--------------

(S510, S530, S550, S570, S590, S595, S630, S650) (T450, T550, T590, T595, T630, T650)
7152508 MOUNTING KIT **\$474.00**
 (Approved for use with M-Series Loaders to mount Quick-Tach Stabilizer and Quick-Tach Water Kit) (Ship weight 120 lbs.)

(S740, S750, S770, S850) (A770) (T740, T750, T770)
7152512 MOUNTING KIT **\$474.00**
 (Approved for use with M-Series Loaders to mount Quick-Tach Stabilizer and Quick-Tach Water Kit) (Ship weight 90 lbs.)

(T870 torsion suspension SN B47C11001 & up)
7342130 MOUNTING KIT PARTS \$ _____
 (Approved for T870 loaders with torsion suspension to mount QT Stabilizer and QT Water Kit) (Ship weight 90 lbs.)

(S150, S160, S175, S185, S205, S220, S250, S300, S330) (A300) (T180, T190, T250, T300, T320)
6811455 COUNTERWEIGHT KIT, 300 LB PARTS \$ _____
 (Attaches to Rear Stabilizer and Mounting Kit.)

DESTINATION CHARGE/FUEL SURCHARGE
 Refer to BobQuote or BobcatNET>>Other Resources>>Pricing Homepage for current Destination and Fuel Charges.

ATTACHMENT (HOURS)	ASSEMBLY REQUIRED	INSTALLATION TIME
-----------------------	-------------------	----------------------

Rear Stabilizers.....	Install stabilizer mount and attach stabilizers.....	2.5
Counterweight Kits.....	Install counterweights5
Street Pad Kit.....	Install street pads.....	.25



ATTACHMENT						
PART NUMBER	TIRE SIZE	NUMBER OF PADS	MACHINE WIDTH	WHEEL SPACERS (INCL.)	LIFT ARM STOP (INCL.)	SHIP. WGT.
						SLP IN US \$

COMPLETE TRACK PACKAGE

Each part number includes a set of tracks, web binder, hardware, and if required, wheel spacers and lift arm stops.

(S175, S185)

7111882 10.00-16.5 3469"NONE920 \$2,833.00
 Note: Tracks will not work with 773, S175, S185 with 60" offset rims.

(S510, S530, S550, S570)

7222581 10.00-16.5 3472" 2"913 \$3,464.00
 Note: Order p/n 7233132 if loader is equipped with 31-12-16.5 tires.

(S510, S530, S550, S570, S590, S595)

7233132 31-12-16.5 3476"NONE963 \$3,058.00
 Notes: Requires rims to be reversed for proper spacing. Flange nuts included for securing the rim.
 Order p/n 7222581 if loader is equipped with 10-16.5 tires.
 Bucket will be narrower than the 76" over the track width.

(S630, S650)

7178955 12.00-16.5 3879" 2"1,197 \$3,652.00

(S740, S750, S770)

7191754 12.00-16.5 3879" 2"1,201 \$4,417.00

(S850)

7191757 14.00-17.5 4286" 2"1,366 \$5,111.00

Note on use of poly fill tires and other non-pneumatic tires with steel tracks

Only pneumatic tires and tires with **Superflex** formula poly fill manufactured by Arnco are permitted for use inside steel tracks. Bobcat factory poly-filled tires meet this requirement. All other tires including Bobcat Solid Tires (Twin Flex, Smooth Flex, Smooth Solid, etc.) are considered non-approved. The use of non-approved tires will void the loader and track warranties. For more information, see service letter #5010 dated 15 July 2002.

PART NUMBER	DEALER INSTALLED ACCESSORIES – ORDER FROM SALES	SLP IN US \$
-------------	--	--------------

REPLACEMENT TRACK SETS

*Each part number includes a set of tracks and web binder.
 Additional hardware, wheel spacers and lift-arm stops are not included.*

(S150, S160, S175, S185)

7111882 **TRACKS** \$2,833.00
 (Fits 10.0-16.5 tires) (Ship Weight 918 lbs.)

(S590, S595)

7233132 **TRACKS** \$3,058.00
 (Fits 31-12x16.5 tires) (Ship Weight 963 lbs.)
 (Includes flange nuts) (Rims must be reversed for proper spacing)

PART NUMBER	DEALER INSTALLED ACCESSORIES – ORDER FROM PARTS DESCRIPTION
------------------------	--

For current Dealer Installed Accessories pricing, reference BobQuote or Dealer Parts Department.

REPLACEMENT PARTS

The following are common parts required to service steel tracks.

7111988	11.5" WELDED PAD (1" BARS)	PARTS	\$ _____
7111989	11.5" WELDED PAD KIT (1" BARS)..... (Includes Pad, 2 Links, 4 Nuts, 4 Bolts, 4 Bushings)	PARTS	\$ _____
7111858	13.25" PAD.....	PARTS	\$ _____
7111862	13.25" PAD KIT..... (Includes Pad, 2 Links, 4 Nuts, 4 Bolts, 4 Bushings)	PARTS	\$ _____
7111860	14.75" PAD.....	PARTS	\$ _____
7111863	14.75" PAD KIT..... (Includes Pad, 2 Links, 4 Nuts, 4 Bolts, 4 Bushings)	PARTS	\$ _____
7111861	16.00" PAD.....	PARTS	\$ _____
7111864	16.00" PAD KIT..... (Includes Pad, 2 Links, 4 Nuts, 4 Bolts, 4 Bushings)	PARTS	\$ _____
7111857	LINK (1 ¼" HOLES)	PARTS	\$ _____
6679215	BUSHING (1 ¼" OUTSIDE DIAMETER).....	PARTS	\$ _____
6679216	CARRIAGE BOLT (½" x 1 7/8" GR5).....	PARTS	\$ _____
6679217	NUT (½" NF GR5 CENTER LOCK)	PARTS	\$ _____
6679059	WEB BINDER.....	PARTS	\$ _____
6679060	WEB BINDER STRAP.....	PARTS	\$ _____

WHEEL SPACER PARTS

6679231	STUD, 9/16" x 2.12"	PARTS	\$ _____
6679233	NUT, 9/16" x 90°	PARTS	\$ _____
6679234	REACH NUT	PARTS	\$ _____
(753, 763, 773, S175, S185, 853)			
6679237	1 ½" WHEEL SPACER KIT (9/16 STUDS & NUTS)	PARTS	\$ _____
<i>(Includes 4 wheel spacers, nuts and bolts)</i>			
6679238	1 ½" WHEEL SPACER RING (9/16 STUDS & NUTS).....	PARTS	\$ _____
(S220, S250, 873) (S510, S530, S550, S570)			
6679239	2" WHEEL SPACER KIT (9/16 STUDS & NUTS).....	PARTS	\$ _____
<i>(Includes 4 wheel spacers, nuts and bolts)</i>			
6679240	2" WHEEL SPACER RING (9/16 STUDS & NUTS)	PARTS	\$ _____
(963)			
6679241	1 ½" WHEEL SPACER KIT (WITH REACH NUTS)	PARTS	\$ _____
<i>(Includes 4 wheel spacers, nuts and bolts)</i>			
6679242	1 ½" WHEEL SPACER RING (WITHOUT REACH NUTS)	PARTS	\$ _____

PART NUMBER	DEALER INSTALLED ACCESSORIES – ORDER FROM PARTS DESCRIPTION
------------------------	--

For current Dealer Installed Accessories pricing, reference BobQuote or Dealer Parts Department.

RE-BUILD KITS WITHOUT LINKS

Includes nuts, bolts and bushings

Refer to track packages to see how many pads are required.

7111868	30 PADS/MACHINE	PARTS	\$ _____
7111869	32 PADS/MACHINE	PARTS	\$ _____
7111870	34 PADS/MACHINE	PARTS	\$ _____
7111871	38 PADS/MACHINE	PARTS	\$ _____
7111872	40 PADS/MACHINE	PARTS	\$ _____
7111873	42 PADS/MACHINE	PARTS	\$ _____

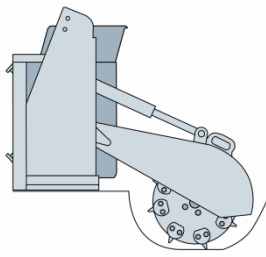
RE-BUILD KITS WITH LINKS

Includes links, nuts, bolts and bushings

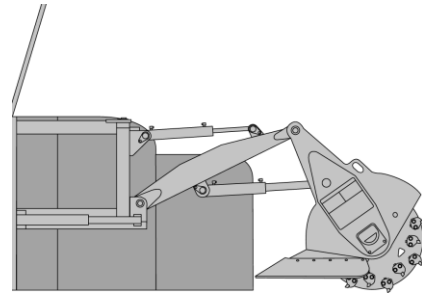
Refer to track packages to see how many pads are required.

7111874	30 PADS/MACHINE	PARTS	\$ _____
7111875	32 PADS/MACHINE	PARTS	\$ _____
7111876	34 PADS/MACHINE	PARTS	\$ _____
7111877	38 PADS/MACHINE	PARTS	\$ _____
7111878	40 PADS/MACHINE	PARTS	\$ _____
7111879	42 PADS/MACHINE	PARTS	\$ _____

DESTINATION CHARGE/FUEL SURCHARGE
<i>Refer to BobQuote or BobcatNET>>Other Resources>>Pricing Homepage for current Destination and Fuel Charges.</i>



SG30 Stump Grinder



SG60 and SGX60 Stump Grinder

QUICK SPECS

	<u>SG30</u>	<u>SG60</u>	<u>SGX60</u>
Operating Weight	460 lbs.	980 lbs.	995 lbs.
Flow Range	10-14 gpm	17-32 gpm*	25-40 gpm*
Overall Length	46.3"	45"	45"
Overall Transport Length.....	39.5"	65.8"	65.8"
Overall Height.....	33.5"	59.4"	59.4"
Wheel Diameter	18"	27"	27"
Number of Teeth	16	32	32
Grinder Reach @ Ground Level	46.3"	74"	74"
Maximum Cutting Height	11"	32"	32"
Maximum Cutting Depth	11"	15"	15"
Maximum Cutting Arc	90°	80°	80°

Note: Performance is dependent upon the loader's auxiliary hydraulic flow. Choose a high flow loader for optimum performance.

PART NUMBER	ATTACHMENT DESCRIPTION	SLP IN US \$
-------------	------------------------	--------------

(MT50, MT52, MT55, MT85, MT100) (S70)(L23,L28)

7100641 SG30 STUMP GRINDER **\$5,381.00**
 (Loader must be equipped with a 14-Pin Attachment Control Kit – See Page 3-6)

(S160, S160H, S175, S185, S185H, S205, S205H)

(S510, S530, S550, S550H, S570, S570H, S590, S590H, S595, S595H, S630, S630H, S650, S650H, S740, S750, S770, S850) (S62, S62H, S64, S64H, S66, S66H, S76H) (A770) (T180, T180H, T190, T190H) (T550, T550H, T590, T590H, T595, T595H, T630, T630H, T650, T650H, T740, T750, T770, T870) (T62, T62H, T64, T64H, T66, T66H, T76, T76H)

6808034 SG60 STUMP GRINDER **\$9,479.00**

***Not approved for use with 37 GPM High Flow Loaders**
 (Loader must be equipped with an Attachment Control Kit – See Page 3-6)
 (When used on loaders equipped with a 14-Pin Attachment Control Kit, a 14-Pin Attachment T-Harness Kit is required – See Page 6)

(S185H, S205H) (S550H, S570H, S590H, S595H, S630H, S650H, S740H, S750H, S770H, S850H) (S62H, S64H, S66H, S76H) (A770H) (T180H, T190H) (T550H, T590H, T595H, T630H, T650H, T740H, T750H, T770H, T870H) (T62H, T64H, T66H, T76H)

7112201 SGX60 STUMP GRINDER **\$9,809.00**

(Loader must be equipped with an Attachment Control Kit – See Page 3-6)
 (When used on loaders equipped with a 14-Pin Attachment Control Kit, a 14-Pin Attachment T-Harness Kit is required – See Page 6)

PART	DEALER INSTALLED ACCESSORIES – ORDER FROM PARTS
NUMBER	DESCRIPTION

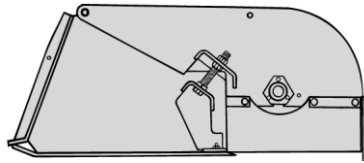
For current Dealer Installed Accessories pricing, reference BobQuote or Dealer Parts Department.

6732873 HARNESS FOR F-SERIES LOADERS PARTS \$ _____
 (Used on SG60 with F-Series Loaders to increase grinding wheel power when swing is engaged)

DESTINATION CHARGE/FUEL SURCHARGE
Refer to BobQuote or BobcatNET>>Other Resources>>Pricing Homepage for current Destination and Fuel Charges.

	ASSEMBLY REQUIRED	INSTALLATION
ATTACHMENT		TIME (HOURS)

Stump GrinderNone..... -
 Attachment Control KitSee Page 3-6



QUICK SPECS

	<u>44"</u>	<u>54"</u>	<u>60"</u>
Operating Weight	555 lbs.	650 lbs.	758 lbs.
Sweep Width.....	44"	54"	60"
Overall Attachment Width.....	48.3"	58.3"	66.2"
.....			
Bucket Capacity.....	6.6 cu. ft.	8.2 cu. ft.	12.0 cu. ft.
Broom Diameter	21.4"	21.4"	21.4"
Bristle Sections (Included)	21	26	30
Bristle Material	Replaceable Polypropylene sections (steel sections available)		
Cutting Edge (Repl. Steel).....	5/8" x 6"	5/8" x 6"	5/8" x 6"
Broom RPM @ 15 GPM	185	185	215
Travel.....	Frwd/Rev	Frwd/Rev	Frwd/Rev
	<u>72"</u>	<u>84"</u>	
Operating Weight	845 lbs.	1029 lbs.	
Sweep Width.....	72"	84"	
Overall Attachment Width.....	78.2"	89.9"	
Bucket Capacity.....	14.4 cu. ft.	18.5 cu. ft.	
Broom Diameter	21.4"	24"	
Bristle Sections (Included)	36	42	
Bristle Material	Replaceable Polypropylene sections (steel sections available)		
Cutting Edge (Repl. Steel).....	5/8" x 6"	5/8" x 6"	
Broom RPM @ 15 GPM	215	215	
Travel.....	Frwd/Rev	Frwd/Rev	

PART	ATTACHMENT	SLP IN US \$
NUMBER	DESCRIPTION	

(MT55, MT85, MT100) (S70)(L23,L28)		
7138898	44" SWEEPER.....	\$3,456.00
(S100, S130) (T110)(S450) (T450)(L23,L28)		
7138870	54" SWEEPER.....	\$3,770.00
(S130, S150, S160, S175, S185, S205) (S450, S510, S530, S550, S570, S590, S595) (S62, S64, S66) (T140, T180, T190) (T450, T550, T590, T595) (T62, T64, T66)		
6707144	60" SWEEPER.....	\$4,093.00
(S150, S160, S175, S185, S205) (S510, S530, S550, S570, S590, S595, S630, S650, S740, S750, S770) (S62, S64, S66, S76) (A770) (T180, T190) (T550, T590, T595, T630, T650) (T62, T64, T66, T76)		
6707837	72" SWEEPER.....	\$4,524.00
(S630, S650, S740, S750, S770) (S76) (A770) (T630, T650, T740, T750, T770) (T76)		
7112646	84" SWEEPER.....	\$5,063.00

DEALER INSTALLED ACCESSORIES – ORDER FROM SALES		
PART NUMBER	DESCRIPTION	SLP IN US \$
6714219	GUTTER BRUSH (Add-on to the 60" and 72" Sweeper) (Includes hoses, couplers, steel bristles, mounting frame, hardware and control valve) (Estimated install time 2 hours) (Ship Weight 145 lbs.)	\$1,444.00
7122418	GUTTER BRUSH (Add-on to the 84" Sweeper) (Includes hoses, couplers, steel bristles, mounting frame, hardware and control valve) (Estimated install time 2 hours) (Ship Weight 145 lbs.)	\$1,358.00
7147900	WHEEL KIT, 84" (Not Recommended for use with the 7122418 Gutter Brush) (Add-on for the 84" Sweeper) (Limits surface damage due to scrapes and scratches) (Includes hardware, two wheels and gas springs) (Estimated install time 1 hours)	\$1,029.00

DEALER INSTALLED ACCESSORIES – ORDER FROM PARTS		
PART NUMBER	DESCRIPTION	

For current Dealer Installed Accessories pricing, reference BobQuote or Dealer Parts Department.

6805366	BOLT-ON CUTTING EDGE, 54" (Hardware not included) (Estimated install time 1.5 hours)	PARTS	\$ _____
6805367	BOLT-ON CUTTING EDGE, 60" (Hardware not included) (Estimated install time 1.5 hours)	PARTS	\$ _____
6805368	BOLT-ON CUTTING EDGE, 72" (Hardware not included) (Estimated install time 1.5 hours)	PARTS	\$ _____
7104254	BOLT-ON CUTTING EDGE, 84" (Hardware not included) (Estimated install time 1.5 hours)	PARTS	\$ _____

Water Kit

NOTE: Water Kits are available for use with the Sweeper attachments – see Water Kit page for details.

DESTINATION CHARGE/FUEL SURCHARGE
Refer to BobQuote or BobcatNET>>Other Resources>>Pricing Homepage for current Destination and Fuel Charges.

ATTACHMENT	ASSEMBLY REQUIRED	INSTALLATION TIME (HOURS)
Sweeper, 44" – 54"	None.....	-
Sweeper, 60"-72"	Adjust side bolts (2) for 3/4" clearance (Shipped with no clearance)	0.25
Gutter Brush		2.00
Wheel Kit.....		1.00



QUICK SPECS

Operating Weight..... 272 lbs.
 Mounting Frame..... Mounts to category "I and II" Three-Point Hitch Implements that meet the ASAE standard for quick hitch.
 Overall Width..... 46"

PART NUMBER	DESCRIPTION	ATTACHMENT	SLP IN US \$
-------------	-------------	------------	--------------

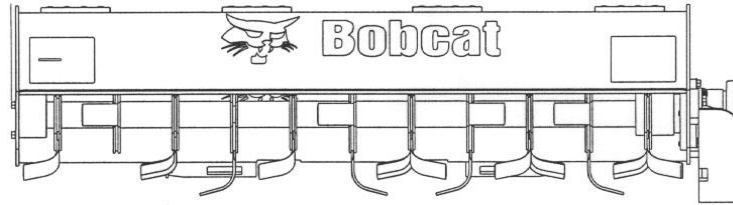
(S100, S130, S150, S160, S175, S185, S205) (S450, S510, S530, S550, S570, S590, S595, S630, S650, S740, S750, S770) (S62, S64, S66, S76) (A770) (T110, T140, T180, T190) (T450, T550, T590, T595, T630, T650, T740, T750, T770) (T62, T64, T66, T76)

7110394	THREE-POINT HITCH ADAPTER, CATEGORY "I AND II" (Quick-tach connection to Three-Point Hitch implements to convert to Bob-Tach™) (Includes 2" receiver for moving trailers)	\$991.00
----------------	--	-----------------

DESTINATION CHARGE/FUEL SURCHARGE
 Refer to BobQuote or BobcatNET>>Other Resources>>Pricing Homepage for current Destination and Fuel Charges.

ATTACHMENT	ASSEMBLY REQUIRED	INSTALLATION TIME (HOURS)
------------	-------------------	---------------------------

Three-Point hitch.....	None.....	-
------------------------	-----------	---



QUICK SPECS

	<u>40"</u>	<u>62"</u>	<u>76"</u>
Operating Weight.....	475 lbs.	660 lbs.	749 lbs.
Working Width	40.6"	62.1"	75.4"
Overall Width.....	48"	70.8"	84.4"
Tines.....	24	36	44
Working Depth.....	6" maximum	6" maximum	6" maximum
Tine Rotation.....	Bi-rotational	Bi-rotational	Bi-rotational
Drive.....	Direct Drive	Direct Drive	Direct Drive
Travel Direction	Forward/Reverse	Forward/Reverse	Forward/Reverse
Flow Range	9-18 GPM	17-40 GPM	17-40 GPM
Skid Shoe	Optional	Optional	Optional

PART NUMBER	ATTACHMENT DESCRIPTION	SLP IN US \$
-------------	------------------------	--------------

(MT50, MT52, MT55, MT85, MT100) (S70, S100) (T110)(L23,L28)
 7196028 40" ROTARY TILLER..... \$4,357.00

(S130, S150, S160, S160H, S175, S185, S185H, S205, S205H)
 (S450, S510, S530, S550, S550H, S570, S570H, S590, S590H, S595, S595H, S630, S630H, S650, S650H, S740, S740H, S750, S750H, S770, S770H) (S62, S62H, S64, S64H, S66, S66H, S76, S76H)
 (T140, T180, T180H, T190, T190H) (T450, T550, T550H, T590, T590H, T595, T595H, T630, T630H, T650, T650H) (T62, T62H, T64, T64H, T66, T66H, T76, T76H)
 7104371 62" ROTARY TILLER..... \$5,047.00

(S160, S160H, S175, S185, S185H, S205, S205H)
 (S510, S530, S550, S550H, S570, S570H, S590, S590H, S595, S595H, S630, S630H, S650, S650H, S740, S740H, S750, S750H, S770, S770H) (S62, S62H, S64, S64H, S66, S66H, S76, S76H) (A770, A770H) (T180, T180H, T190, T190H)
 (T550, T550H, T590, T590H, T595, T595H, T630, T630H, T650, T650H, T740, T740H, T750, T750H, T770, T770H) (T62, T62H, T64, T64H, T66, T66H, T76, T76H)
 7102125 76" ROTARY TILLER..... \$5,956.00

PART	DEALER INSTALLED ACCESSORIES – ORDER FROM PARTS	
NUMBER	DESCRIPTION	

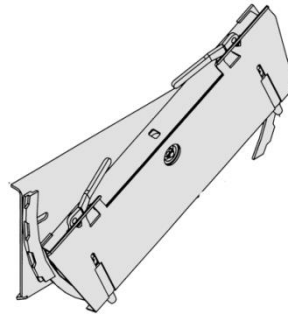
For current Dealer Installed Accessories pricing, reference BobQuote or Dealer Parts Department.

7280548 **TILLER SKID SHOES FOR ALL MODELS..... PARTS** \$ _____
 (0.5 hour assembly time)

DESTINATION CHARGE/FUEL SURCHARGE	
Refer to BobQuote or BobcatNET>>Other Resources>>Pricing Homepage for current Destination and Fuel Charges.	

	ASSEMBLY REQUIRED	INSTALLATION
ATTACHMENT		TIME (HOURS)

Tiller.....	None.....	-
Tiller Skid Shoe.....	Bolt onto tiller.....	0.5



QUICK SPECS

Operating Weight.....	320 lbs.
Height.....	20.4"
Width.....	48"
Length.....	4.3"
Oscillation.....	± 15°
Cylinders.....	1

PART NUMBER	ATTACHMENT DESCRIPTION	SLP IN US \$
-------------	------------------------	--------------

(S130, S150, S160, S175, S185, S205) (S450, S510, S530, S550, S570, S590, S595, S630, S650)
 (S62, S64, S66, S76) (T140, T180, T190) (T450, T550, T590, T595) (T62, T64, T66)

7101600 **TILT-TATCH** **\$2,510.00**
 (Interface between the Loader's Bob-Tach and non hydraulic attachments)

Note: Use of Tilt-Tatch will reduce Operating Capacity and Tip Load by approximately 20%. See the Tilt-Tatch Operators Manual for New Load Ratings.
Note: Tilt-Tatch can be used with non-hydraulic attachments only.

PART NUMBER	DEALER INSTALLED ACCESSORIES – ORDER FROM PARTS DESCRIPTION
-------------	---

For current Dealer Installed Accessories pricing, reference BobQuote or Dealer Parts Department.

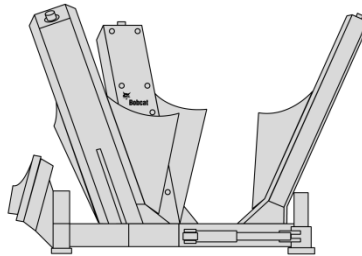
7101857 **TILT-TATCH REBUILD KIT** **PARTS \$** _____
 (The bolt-on rebuild kit allows customers with high usage or excessive wear applications to replace high wear items without the use of a cutting torch and welder.)

DESTINATION CHARGE/FUEL SURCHARGE
--

Refer to BobQuote or BobcatNET>>Other Resources>>Pricing Homepage for current Destination and Fuel Charges.

ASSEMBLY REQUIRED	INSTALLATION
ATTACHMENT	TIME (HOURS)

Tilt-Tatch.....**None**..... **-**



QUICK SPECS

		32"	36"	44"
Spade Weight	<i>Cone 30°</i>	1590 lbs.	1640 lbs.	2150 lbs.
	<i>Modified 25°</i>	1525 lbs.	1580 lbs.	2145 lbs.
Width	<i>Cone 30°</i>	91.8 in.	95.6 in.	85.1 in.
	<i>Modified 25°</i>	76.0 in.	79.8 in.	77.7 in.
Height	<i>Cone 30°</i>	64.2 in.	64.2 in.	64.2 in.
	<i>Modified 25°</i>	58.7 in.	58.7 in.	66.6 in.
Length	<i>Cone 30°</i>	83.3 in.	87.5 in.	85.1 in.
	<i>Modified 25°</i>	74.2 in.	78.4 in.	78.5 in.
Max Digging Depth	<i>Cone 30°</i>	31.2 in.	32.9 in.	33.3 in.
	<i>Modified 25°</i>	25.9 in.	29.4 in.	31.0 in.
Bottom Opening Radius	<i>Cone 30°</i>	0.8 in.	2.2 in.	5.6 in.
	<i>Modified 25°</i>	5.6 in.	6.2 in.	9.4 in.

PART NUMBER	DESCRIPTION	ATTACHMENT	SLP IN US \$
--------------------	--------------------	-------------------	---------------------

CONVERTIBLE TREE SPADES

Convertible Tree Spades can be equipped with either a pendant style (rocker switch) control panel or a 7-pin ACD control kit. Convertible Tree Spades for competitor loaders G-series and older require pendant control to be ordered and installed. 44" Tree Spade requires pendant control kit p/n 7152664 for competitive loaders G-series and older. New Tree Spades come stock with 7-pin ACD conversion kit.

(S160, S175, S185, S205) (S510, S530, S550, S570, S590, S595, S630, S650, S740, S750, S770, S850) (S62, S64, S66, S76) (A770) (T180, T190) (T550, T590, T595, T630, T650, T740, T750, T770, T870) (T62, T64, T66, T76)

7149485 32" CONVERTIBLE TREE SPADE, CONE..... \$12,355.00

7149442 32" CONVERTIBLE TREE SPADE, MODIFIED..... \$12,355.00

(S175, S185, S205) (S510, S530, S550, S570, S590, S595, S630, S650, S740, S750, S770, S850) (S62, S64, S66, S76) (A770) (T180, T190) (T550, T590, T595, T630, T650, T740, T750, T770, T870) (T62, T64, T66, T76)

7149488 36" CONVERTIBLE TREE SPADE, CONE..... \$12,953.00

7149445 36" CONVERTIBLE TREE SPADE, MODIFIED..... \$12,953.00

(S740, S750, S770, S850) (A770) (T650, T740, T750, T770, T870) (T76)

*Competitive loaders G-series and older require/must also order pendant control kit P/N 7152664

7149491 44" CONVERTIBLE TREE SPADE, CONE..... \$17,710.00

7149306 44" CONVERTIBLE TREE SPADE, MODIFIED..... \$17,710.00

Note: Rear Stabilizers are required and counterweights are recommended when using the tree spade

PART NUMBER	DEALER INSTALLED ACCESSORIES – ORDER FROM SALES	SLP IN US \$
-------------	---	--------------

(ALL LOADER SERIES)

7152662 ACD CONVERSION KIT, 7-PIN \$306.00

7152663 PENDANT CONTROL KIT, 3-BLADE..... \$582.00
 (For 24" through 36" Convertible Tree Spades) (No additional Control Kits needed.)

7152664 PENDANT CONTROL KIT, 4-BLADE..... \$656.00
 (For 44" Convertible Tree Spades) (No additional Control Kits needed.)
 (Will operate 4-Blade convertible Tree Spades)

(S130, S150, S160, S175, S185, S205) (S510, S530, S550, S570, S590, S595, S630, S650, S740, S750, S770, S850) (A770) (T140, T180, T190) (T450, T550, T590, T595, T630, T650, T740, T750, T770, T870)

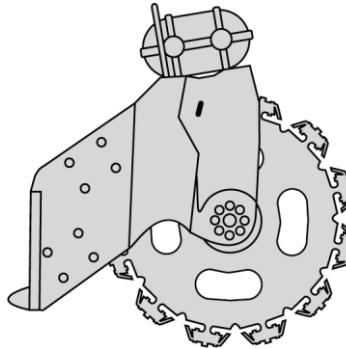
6811449 QUICK-TACH REAR STABILIZER KIT PARTS \$_____
 (Must also order mounting kit – see Rear Stabilizer price page for more information)

(S150, S160, S175, S185, S205, S220, S250, S300, S330) (A300) (T180, T190, T250, T300, T320)
6811455 COUNTERWEIGHT KIT, 300 LB..... PARTS \$_____
 (Attaches to Rear Stabilizer and Mounting Kit.)

DESTINATION CHARGE/FUEL SURCHARGE
Refer to BobQuote or BobcatNET>>Other Resources>>Pricing Homepage for current Destination and Fuel Charges.

ATTACHMENT	ASSEMBLY REQUIRED	INSTALLATION TIME (HOURS)
------------	-------------------	---------------------------

Tree Spade.....	None.....	-
Pendant Control, 3-Blade & 4-Blade	Install Pendant Control.....	0.25
ACD Conversion Kit, 7-Pin	Install Conversion Kit	0.25



QUICK SPECS

Operating Weight..... 1400 lbs.
 Height..... 59"
 Length..... 57"
 Width..... 48"

PART NUMBER	ATTACHMENT DESCRIPTION	SLP IN US \$
-------------	------------------------	--------------

(S130, S150, S160, S175, S185, S205) (S450, S510, S530, S550, S570, S590, S595, S630, S650, S740, S750, S770)(S62, S64, S66, S76) (A770) (T140, T180, T190) (T450, T550, T590, T595, T630, T650, T740, T750, T770) (T62, T64, T66, T76)

6905277 TRENCH COMPACTOR..... \$9,621.00
 (Comes standard with a 4 1/2" Pad and compacts trenches up to 8" wide)
 (Wheel-type vibratory compactor)

PART NUMBER	DEALER INSTALLED ACCESSORIES – ORDER FROM PARTS DESCRIPTION	
-------------	---	--

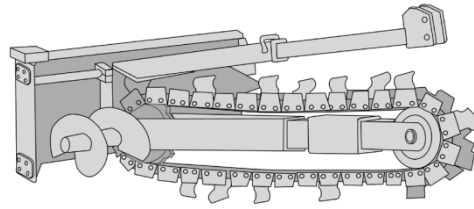
For current Dealer Installed Accessories pricing, reference BobQuote or Dealer Parts Department.

6905338 8" WIDE PAD KIT..... PARTS \$_____
 (Compacts Trenches up to 12" Wide) (Qty. 12)
 (Ship Weight 160 lbs.)

DESTINATION CHARGE/FUEL SURCHARGE
 Refer to BobQuote or BobcatNET>>Other Resources>>Pricing Homepage for current Destination and Fuel Charges.

ATTACHMENT	ASSEMBLY REQUIRED	INSTALLATION TIME (HOURS)
------------	-------------------	---------------------------

Trench CompactorNone..... -



QUICK SPECS

	<u>LT112</u>	<u>LT113</u>	<u>LT213</u>	<u>LT313</u> <i>3' Depth</i>
Operating Weight (without teeth).....	613 lbs.	638 lbs.	725 lbs.	955 lbs.
Flow Range.....	9-15 gpm	9-15 gpm	11-18 gpm	15-23 gpm
Maximum Operating Pressure	3000 psi	3000 psi	3300 psi	3300 psi
Frame Width (std. equipment).....	36"	36"	56"	56"
Trenching Widths Available.....	4" to 8"	4" to 8"	4" to 8"	6" to 12"
Side Shift Travel.....	16.1"	16.1"	23.1"	23.1"
Auger Diameter	12" ♦	12" ♦	12" ♦	14" ♦
Auger Clearance	13.8-15.8"	13.8-15.8"	13.8-15.8"	24-27"
Dig Depth @ 60 degrees.....	2'	3'	3'	3'
Overall Length.....	60.7"	74"	74"	79.5"
Standard Boom Length.....	39.4"	52.5"	52.5"	55.5"
	<u>LT313</u> <i>4' Depth</i>	<u>LT414</u> <i>4' Depth</i>	<u>LT414</u> <i>5' Depth</i>	<u>LT405</u>
Operating Weight (without teeth).....	980 lbs.	1181 lbs.	1218 lbs.	1520 lbs.
Flow Range.....	15-23 gpm	26-40 gpm	26-40 gpm	26-40 gpm
Maximum Operating Pressure	3300 psi	3300 psi	3300 psi	3300 psi
Frame Width (std. equipment).....	56"	56.25"	56.25"	65"
Trenching Widths Available.....	6" to 12"	6" to 12"	6" to 8"	6" to 12"
Side Shift Travel.....	23.1"	21.8"	21.8"	26"
Auger Diameter	14" ♦	12 to 14.25" ♣	12 to 14.25" ♣	12" *
Auger Clearance	24-27"	23.4-26.4"	23.4-26.4"	19"
Dig Depth @ 60 degrees.....	4'	50"	62"	4'-5'
Overall Length.....	89.5"	90"	104"	105"
Standard Boom Length.....	65.5"	65"	79"	63"

♦ Single Removable Auger ♣ Tapered Removable Auger * Dual Augers

PART NUMBER	LT112 TRENCHER ATTACHMENT	SLP IN US \$
-------------	----------------------------------	--------------

(MT50, MT52, MT55, MT85, MT100) (S70)(L23,L28)

M7011	LT112 TRENCHER (Includes mounting frame, hoses, couplers, 2' depth, manual sideshift, 4" trench cleaner) (Can only order one factory installed chain option per trencher model)	\$3,808.00
<i>2' Chain Options are 1.654" Double Standard (DS) Anti-Back Flex (ABF)</i>		
M7011-R01-C02	2' X 4" CUP TEETH, SINGLE STANDARD PATTERN	\$491.00
M7011-R01-C01	2' X 4" CUP TEETH, DOUBLE STANDARD PATTERN	\$599.00
M7011-R01-C03	2' X 4" CUP & CARBIDE TEETH, DOUBLE STANDARD PATTERN	\$1,073.00
M7011-R01-C05	2' X 4" SHARK/CUP TEETH IN DOUBLE STANDARD PATTERN	\$727.00
M7011-R01-C06	2' X 6" SHARK/CUP TEETH IN DOUBLE STANDARD PATTERN	\$916.00

PART NUMBER	DEALER INSTALLED ACCESSORIES – ORDER FROM SALES	SLP IN US \$
-------------	--	--------------

LT112 Chain Configuration Accessories (Replacement Chain - Dealer Installed)
Chains are 1.654" Double Standard (DS) Anti-Back Flex (ABF)

6959315	2' X 4" CUP TEETH, SINGLE STANDARD PATTERN	\$480.00
	(Ship Weight 76 lbs.)	
6959323	2' X 4" CUP TEETH, DOUBLE STANDARD PATTERN	\$576.00
	(Ship Weight 85 lbs.)	
6959333	2' X 4" CUP & CARBIDE TEETH, DOUBLE STANDARD PATTERN	\$1,089.00
	(Ship Weight 91 lbs.)	
7209862	2' X 4" SHARK TOOTH/CUP TEETH, DOUBLE STANDARD PATTERN	\$635.00
7209863	2' X 6" SHARK TOOTH/CUP TEETH, DOUBLE STANDARD PATTERN	\$704.00
6959317	3' X 4" CUP TEETH, SINGLE STANDARD PATTERN	\$545.00
	(Must also order Boom Guide Assembly p/n 6959248) (Ship Weight 100 lbs.)	
6959335	3' X 6" CUP TEETH, SINGLE STANDARD PATTERN	\$576.00
	(Must also order Boom Guide Assembly p/n 6959248) (Ship Weight 113 lbs.)	
6959321	3' X 4" CUP TEETH, DOUBLE STANDARD PATTERN	\$610.00
	(Must also order Boom Guide Assembly p/n 6959248) (Ship Weight 115 lbs.)	
6959319	3' X 4" CUP & CARBIDE TEETH, DOUBLE STANDARD PATTERN	\$1,185.00
	(Must also order Boom Guide Assembly p/n 6959248) (Ship Weight 115 lbs.)	

PART NUMBER	DEALER INSTALLED ACCESSORIES – ORDER FROM PARTS	
-------------	--	--

For current Dealer Installed Accessories pricing, reference BobQuote or Dealer Parts Department.

6959248	BOOM GUIDE ASSEMBLY	PARTS \$ _____
	(Needed for 3' dig depth) (Also required (2) ¾" bolts # 84G3712 additional 1' chain, and additional teeth or order 3' chain configuration from LT112 accessories)	
6705531	CARBIDE TOOTH KIT	PARTS \$ _____
6701918	CUP TOOTH KIT	PARTS \$ _____
6959302	DOUBLE STANDARD CHAIN	PARTS \$ _____
	(No teeth attached)	
6959301	DOUBLE STANDARD CHAIN – 16P	PARTS \$ _____
	(For additional 1' dig depth)	
7110909	SPACER KIT, 6"	PARTS \$ _____
	(Used with cup teeth for 6" width)	
7110910	SPACER KIT, 8"	PARTS \$ _____
	(Used with cup teeth for 8" width)	
6806974	TRENCH CLEANER ADAPTER, 6"	PARTS \$ _____
	(Used with Trench Cleaner Kit)	
6806975	TRENCH CLEANER ADAPTER, 8"	PARTS \$ _____
	(Used with Trench Cleaner Kit)	

PART NUMBER	LT113 TRENCHER ATTACHMENT	SLP IN US \$
-------------	----------------------------------	--------------

(MT50, MT52, MT55, MT85, MT100) (S70)(L23,L28)

M7014 **LT113 TRENCHER** **\$3,971.00**
 (Includes mounting frame, hoses, couplers, 3' depth, manual sideshift, 4" trench cleaner)
 (Can only order one factory installed chain option per trencher model)

3' Chain Options are 1.654" Double Standard (DS) Anti-Back Flex (ABF)

M7014-R01-C02	3' X 4" CUP TEETH, SINGLE STANDARD PATTERN	\$474.00
M7014-R01-C04	3' X 6" CUP TEETH, SINGLE STANDARD PATTERN	\$506.00
M7014-R01-C01	3' X 4" CUP TEETH, DOUBLE STANDARD PATTERN	\$540.00
M7014-R01-C03	3' X 4" CUP & CARBIDE TEETH, DOUBLE STANDARD PATTERN ..	\$1,105.00
M7014-R01-C06	3' X 4" SHARK/CUP TEETH IN DOUBLE STANDARD PATTERN	\$889.00
M7014-R01-C07	3' X 6" SHARK/CUP TEETH IN DOUBLE STANDARD PATTERN	\$1,110.00

M7040 **TRENCEHR LT113 CII, MT85, MT100**..... **\$3,971.00**
 (Includes mounting frame, hoses, couplers, 3' depth, manual sideshift, 4" trench cleaner)
 (Can only order one factory installed chain option per trencher model)

3' Chain Options are 1.654" Double Standard (DS) Anti-Back Flex (ABF)

M7040-R01-C02	3' X 4" CUP TEETH, SINGLE STANDARD PATTERN	\$474.00
M7040-R01-C04	3' X 6" CUP TEETH, SINGLE STANDARD PATTERN	\$506.00
M7040-R01-C01	3' X 4" CUP TEETH, DOUBLE STANDARD PATTERN	\$540.00
M7040-R01-C03	3' X 4" CUP & CARBIDE TEETH, DOUBLE STANDARD PATTERN ..	\$1,105.00
M7040-R01-C06	3' X 4" SHARK/CUP TEETH IN DOUBLE STANDARD PATTERN	\$889.00
M7040-R01-C07	3' X 6" SHARK/CUP TEETH IN DOUBLE STANDARD PATTERN	\$1,110.00

PART NUMBER	DEALER INSTALLED ACCESSORIES – ORDER FROM SALES	SLP IN US \$
-------------	--	--------------

LT113 Chain Configuration Accessories (Replacement Chain - Dealer Installed)
Chains are 1.654" Double Standard (DS) Anti-Back Flex (ABF)

6959317	3' X 4" CUP TEETH, SINGLE STANDARD PATTERN	\$545.00
	(Ship Weight 100 lbs.)	
6959335	3' X 6" CUP TEETH, SINGLE STANDARD PATTERN	\$576.00
	(Ship Weight 113 lbs.)	
6959321	3' X 4" CUP TEETH, DOUBLE STANDARD PATTERN	\$610.00
	(Ship Weight 115 lbs.)	
6959319	3' X 4" CUP & CARBIDE TEETH, DOUBLE STANDARD PATTERN	\$1,185.00
	(Ship Weight 115 lbs.)	
7209864	3' X 4" SHARK TOOTH/CUP TEETH, DOUBLE STANDARD PATTERN	\$798.00
7209865	3' X 6" SHARK TOOTH/CUP TEETH, DOUBLE STANDARD PATTERN	\$932.00

PART NUMBER	DEALER INSTALLED ACCESSORIES – ORDER FROM PARTS DESCRIPTION
----------------	---

For current Dealer Installed Accessories pricing, reference BobQuote or Dealer Parts Department.

6705531	CARBIDE TOOTH KIT PARTS \$ _____ (Ship Weight 16 lbs.)
6701918	CUP TOOTH KIT PARTS \$ _____ (Ship Weight 13 lbs.)
7110909	SPACER KIT, 6" PARTS \$ _____ (Used with cup teeth for 6" width) (Ship weight 2 lbs.)
7110910	SPACER KIT, 8" PARTS \$ _____ (Used with cup teeth for 8" width) (Ship weight 11 lbs.)
6806974	TRENCH CLEANER ADAPTER, 6" PARTS \$ _____ (Used with Trench Cleaner Kit) (Ship Weight 3 lbs.)
6806975	TRENCH CLEANER ADAPTER, 8" PARTS \$ _____ (Used with Trench Cleaner Kit) (Ship Weight 4 lbs.)

PART NUMBER	LT213 TRENCHER ATTACHMENT	SLP IN US \$
-------------	----------------------------------	--------------

(S100, S130) (T110, T140) (S450) (T450)

M7013	LT213 TRENCHER (Includes 3' depth, manual sideshift, and 4" trench cleaner) (Can only order one factory installed chain option per trencher model) <i>Chains are 1.654" Double Standard (DS) Anti-Back Flex (ABF)</i>	\$3,996.00
M7013-R01-C02	3' X 4" CUP TEETH, SINGLE STANDARD PATTERN	\$474.00
M7013-R01-C04	3' X 6" CUP TEETH, SINGLE STANDARD PATTERN	\$506.00
M7013-R01-C01	3' X 4" CUP TEETH, DOUBLE STANDARD PATTERN	\$540.00
M7013-R01-C03	3' X 4" CUP & CARBIDE TEETH, DOUBLE STANDARD PATTERN	\$1,105.00
M7013-R01-C06	3' X 4" SHARK/CUP TEETH IN DOUBLE STANDARD PATTERN	\$889.00
M7013-R01-C07	3' X 6" SHARK/CUP TEETH IN DOUBLE STANDARD PATTERN	\$1,034.00

PART NUMBER	DEALER INSTALLED ACCESSORIES – ORDER FROM SALES	SLP IN US \$
-------------	--	--------------

LT 213 Chain Configuration Accessories (Replacement Chain - Dealer Installed)
Chains are 1.654" Double Standard (DS) Anti-Back Flex (ABF)

6959317	3' X 4" CUP TEETH, SINGLE STANDARD PATTERN (Ship Weight 100 lbs.)	\$545.00
6959335	3' X 6" CUP TEETH, SINGLE STANDARD PATTERN (Ship Weight 113 lbs.)	\$576.00
6959321	3' X 4" CUP TEETH, DOUBLE STANDARD PATTERN	\$610.00
6959319	3' X 4" CUP & CARBIDE TEETH, DOUBLE STANDARD PATTERN (Ship Weight 115 lbs.)	\$1,185.00
7209864	3' X 4" SHARK TOOTH/CUP TEETH, DOUBLE STANDARD PATTERN	\$798.00
7209865	3' X 6" SHARK TOOTH/CUP TEETH, DOUBLE STANDARD PATTERN	\$932.00
7274348	HYDRAULIC SIDE SHIFT KIT	\$750.00
	(Hydraulically side shift the trencher boom 23.1") (Ship Weight 58 lbs.) (1.5 hour install time)	

PART NUMBER	DEALER INSTALLED ACCESSORIES – ORDER FROM PARTS	
-------------	--	--

For current Dealer Installed Accessories pricing, reference BobQuote or Dealer Parts Department.

6705531	CARBIDE TOOTH KIT (Ship Weight 16 lbs.)	PARTS \$ _____
6701918	CUP TOOTH KIT (Ship Weight 13 lbs.)	PARTS \$ _____
6959303	DOUBLE STANDARD CHAIN (No teeth attached) (Ship Weight 64 lbs.)	PARTS \$ _____
7110909	SPACER KIT, 6" (Used with cup teeth for 6" width) (Ship weight 2 lbs.)	PARTS \$ _____
7110910	SPACER KIT, 8" (Used with cup teeth for 8" width) (Ship weight 11 lbs.)	PARTS \$ _____
6806974	TRENCH CLEANER ADAPTER, 6" (Used with Trench Cleaner Kit) (Ship Weight 3 lbs.)	PARTS \$ _____
6806975	TRENCH CLEANER ADAPTER, 8" (Used with Trench Cleaner Kit) (Ship Weight 4 lbs.)	PARTS \$ _____

PART NUMBER	LT313 TRENCHER ATTACHMENT	SLP IN US \$
-------------	----------------------------------	--------------

(S130, S150, S160, S175, S185, S205) (S450, S510, S530, S550, S570, S590, S595, S630, S650, S740, S750, S770) (S62, S64, S66, S76) (A770) (T140, T180, T190) (T450, T550, T590, T595, T630, T650) (T62, T64, T66, T76)

M7015 LT313 TRENCHER..... \$4,821.00
 (Includes 3' depth, manual sideshift, 6" trench cleaner)
 (Can only order one factory installed chain option per trencher model)

All chains are 2.0" Double Standard (DS) Anti-Back Flex (ABF)

M7015-R01-C13	NO CHAIN OPTION.....	n/c
M7015-R01-C02	3' X 6" CUP TEETH IN SINGLE STANDARD PATTERN	\$669.00
M7015-R01-C05	3' X 8" CUP TEETH IN SINGLE STANDARD PATTERN	\$706.00
M7015-R01-C01	3' X 6" CUP TEETH IN DOUBLE STANDARD PATTERN.....	\$1,110.00
M7015-R01-C04	3' X 6" SHARK/CUP TEETH IN DOUBLE STANDARD PATTERN	\$1,120.00
M7015-R01-C03	3' X 6" CUP & CARBIDE TEETH IN DOUBLE STANDARD PATTERN	\$1,816.00
M7015-R01-C06	3' X 8" CUP & CARBIDE TEETH IN DOUBLE STANDARD PATTERN	\$1,859.00
M7015-R01-C14	3' X 8" SHARK/CUP TEETH IN DOUBLE STANDARD PATTERN	\$1,353.00

*The LT313 is assembled as a 4' dig depth when ordering the 4' chain option
 (Boom Guide included with 4' factory installed chain)*

M7015-R01-C08	4' X 6" CUP TEETH IN SINGLE STANDARD PATTERN	\$825.00
M7015-R01-C11	4' X 8" CUP TEETH IN SINGLE STANDARD PATTERN	\$926.00
M7015-R01-C07	4' X 6" CUP TEETH IN DOUBLE STANDARD PATTERN.....	\$1,019.00
M7015-R01-C10	4' X 6" SHARK/CUP TEETH IN DOUBLE STANDARD PATTERN	\$1,315.00
M7015-R01-C09	4' X 6" CUP & CARBIDE TEETH IN DOUBLE STANDARD PATTERN	\$2,037.00
M7015-R01-C12	4' X 8" CUP & CARBIDE TEETH IN DOUBLE STANDARD PATTERN	\$2,177.00
M7015-R01-C15	4' X 8" SHARK/CUP TEETH IN DOUBLE STANDARD PATTERN	\$1,492.00

PART NUMBER	DEALER INSTALLED ACCESSORIES – ORDER FROM SALES	SLP IN US \$
-------------	--	--------------

LT313 Chain Configuration Accessories (Replacement Chain - Dealer Installed)

All chains are 2.0" Double Standard (DS) Anti-Back Flex (ABF).

6970056	3' X 6" CUP TEETH IN SINGLE STANDARD PATTERN	\$696.00
	(Ship Weight 143 lbs.)	
6970057	3' X 8" CUP TEETH IN SINGLE STANDARD PATTERN	\$696.00
	(Ship Weight 151 lbs.)	
6959240	3' X 6" CUP TEETH IN DOUBLE STANDARD PATTERN.....	\$1,089.00
	(Ship Weight 195 lbs.)	
6970058	3' X 6" CUP & CARBIDE TEETH IN DOUBLE STANDARD PATTERN	\$1,794.00
	(Ship Weight 228 lbs.)	
7100638	3' X 6" SHARK TOOTH/CUP TEETH IN DOUBLE STANDARD PATTERN	\$1,185.00
	(Ship Weight 153 lbs.)	
6970059	3' X 8" CUP & CARBIDE TEETH IN DOUBLE STANDARD PATTERN	\$1,793.00
	(Ship Weight 236 lbs.)	
7209866	3' X 8" SHARK TOOTH/CUP TEETH, DOUBLE STANDARD PATTERN.....	\$1,136.00
6808242	4' X 6" CUP TEETH IN SINGLE STANDARD PATTERN	\$809.00
	(Must also order Boom Guide Assembly) (Ship Weight 168 lbs.)	
6808243	4' X 8" CUP TEETH IN SINGLE STANDARD PATTERN	\$835.00
	(Must also order Boom Guide Assembly) (Ship Weight 178 lbs.)	

PART NUMBER	DEALER INSTALLED ACCESSORIES – ORDER FROM SALES	SLP IN US \$
-------------	---	--------------

LT313 TRENCHER (CONTINUED)

6959238	4' X 6" CUP TEETH IN DOUBLE STANDARD PATTERN..... (Must also order Boom Guide Assembly) (Ship Weight 178 lbs.)	\$1,120.00
7100628	4' X 6" SHARK TOOTH/CUP TEETH IN DOUBLE STANDARD PATTERN (Must also order Boom Guide Assembly) (Ship Weight 168 lbs.)	\$1,363.00
6808244	4' X 6" CUP & CARBIDE TEETH IN DOUBLE STANDARD PATTERN (Must also order Boom Guide Assembly) (Ship Weight 268 lbs.)	\$1,988.00
6808245	4' X 8" CUP & CARBIDE TEETH IN DOUBLE STANDARD PATTERN (Must also order Boom Guide Assembly) (Ship Weight 278 lbs.)	\$2,118.00
7209867	4' X 8" SHARK TOOTH/CUP TEETH, DOUBLE STANDARD PATTERN.....	\$1,330.00
7274348	HYDRAULIC SIDE SHIFT KIT (Hydraulically side shift the trencher boom 23.1") (Ship Weight 58 lbs.) (1.5 hour install time)	\$750.00

PART NUMBER	DEALER INSTALLED ACCESSORIES – ORDER FROM PARTS
-------------	---

For current Dealer Installed Accessories pricing, reference BobQuote or Dealer Parts Department.

6811684	BOOM GUIDE ASSEMBLY..... (Needed for 4' dig depth) (Must also order (2) 3/4" bolts # 84G3712 and additional 1' chain from Bobcat Parts)	PARTS \$ _____
6809387	CARBIDE TOOTH KIT..... (Ship Weight –160 lbs.)	PARTS \$ _____
6807925	CUP TOOTH KIT..... (Ship Weight 24 lbs.)	PARTS \$ _____
6675594	DOUBLE STANDARD CHAIN – 4'..... (No teeth) (Ship Weight 147 lbs.)	PARTS \$ _____
6970072	DOUBLE STANDARD CHAIN – 10P.....	PARTS \$ _____
7110911	SPACER KIT..... (Used with Cup Teeth for 8" width) (Ship Weight 12 lbs.) (Single Pattern Chain requires 1 Spacer Kit. Double Pattern Chain requires 2 Kits.)	PARTS \$ _____
7110912	SPACER KIT..... (Used with Cup Teeth for 10" width) (Ship Weight 26 lbs.) (Single Pattern Chain requires 1 Spacer Kit. Double Pattern Chain requires 2 Kits.)	PARTS \$ _____
7110913	SPACER KIT..... (Used with Cup Teeth for 12" width) (Ship Weight 36 lbs.) (Single Pattern Chain requires 1 Spacer Kit. Double Pattern Chain requires 2 Kits.)	PARTS \$ _____
6809324	SPACER KIT..... (Used with Cup/Carbide Teeth for 8" widths) (Ship Weight 25 lbs.) (Single Pattern Chain requires 1 Spacer Kit. Double Pattern Chain requires 2 Kits.)	PARTS \$ _____
6806975	TRENCH CLEANER ADAPTER, 8"..... (Used with Trench Cleaner Kit) (Ship Weight 5 lbs.)	PARTS \$ _____
6806976	TRENCH CLEANER ADAPTER, 10"..... (Used with Trench Cleaner Kit) (Ship Weight 7 lbs.)	PARTS \$ _____
6806977	TRENCH CLEANER ADAPTER, 12"..... (Used with Trench Cleaner Kit) (Ship Weight 8 lbs.)	PARTS \$ _____

PART NUMBER	LT414 TRENCHER ATTACHMENT	SLP IN US \$
-------------	----------------------------------	--------------

(S160H, S185H, S205H) (S550H, S570H, S590H, S595H, S630H, S650H, S740H, S750H, S770H)
 (S62H, S64H, S66H, S76H) (A770H) (T180H, T190H) (T550H, T590H, T595H, T630H, T650H,
 T740H, T750H, T770H) (T62H, T64H, T66H, T76H)

4' Depth

(S630H, S650H, S740H, S750H, S770H) (S76H) (A770H) (T630H, T650H, T740H, T750H, T770H)
 (T76H)

5' Depth

M7016	LT414 TRENCHER	\$7,190.00
	(Includes 4' or 5' depth, hydraulic sideshift, and 6" trench cleaner) (Can only order one factory installed chain option per trencher model) (Loader must be equipped with High Flow auxiliary hydraulics)	

Chains are 2.0" Single Standard (SS) or Double Standard (DS) Anti-Back Flex (ABF)

M7016-R01-C13	NO CHAIN OPTION.....	n/c
M7016-R01-C08	4' X 6" CUP TEETH, SINGLE STANDARD PATTERN.....	\$851.00
M7016-R01-C07	4' X 6" CUP TEETH, DOUBLE STANDARD PATTERN	\$980.00
M7016-R01-C09	4' X 6" CUP & CARBIDE TEETH, DOUBLE STANDARD PATTERN ..	\$2,037.00
M7016-R01-C10	4' X 6" SHARK/CUP TEETH IN DOUBLE STANDARD PATTERN	\$1,686.00
M7016-R01-C11	4' X 8" CUP TEETH, SINGLE STANDARD PATTERN.....	\$922.00
M7016-R01-C12	4' X 8" CUP & CARBIDE TEETH IN DOUBLE STANDARD PATTERN	\$2,118.00
M7016-R01-C14	4' X 8" SHARK/CUP TEETH IN DOUBLE STANDARD PATTERN	\$1,563.00
M7016-R01-C04	5' X 6" CUP TEETH, SINGLE STANDARD PATTERN.....	\$1,013.00
M7016-R01-C01	5' X 6" CUP TEETH, DOUBLE STANDARD PATTERN	\$1,159.00
M7016-R01-C03	5' X 6" CUP & CARBIDE TEETH, DOUBLE STANDARD PATTERN ..	\$2,412.00
M7016-R01-C02	5' X 6" SHARK/CUP TEETH IN DOUBLE STANDARD PATTERN	\$1,923.00
M7016-R01-C06	5' X 8" CUP TEETH, SINGLE STANDARD PATTERN.....	\$1,056.00
M7016-R01-C05	5' X 8" CUP & CARBIDE TEETH IN DOUBLE STANDARD PATTERN	\$2,640.00

PART NUMBER	DEALER INSTALLED ACCESSORIES – ORDER FROM SALES	SLP IN US \$
-------------	--	--------------

LT414 Chain Configuration Accessories (Replacement Chain - Dealer Installed)

Chains are 2.0" Single Standard (SS) or Double Standard (DS) Anti-Back Flex (ABF)

6808242	4' X 6" CUP TEETH IN SINGLE STANDARD PATTERN	\$809.00
	(Ship Weight 168 lbs.)	
6808243	4' X 8" CUP TEETH IN SINGLE STANDARD PATTERN	\$835.00
	(Ship Weight 178 lbs.)	
6959238	4' X 6" CUP TEETH IN DOUBLE STANDARD PATTERN.....	\$1,120.00
	(Ship Weight 178 lbs.)	
7100628	4' X 6" SHARK TOOTH/CUP TEETH IN DOUBLE STANDARD PATTERN	\$1,363.00
	(Ship Weight 168 lbs.)	
6808244	4' X 6" CUP & CARBIDE TEETH IN DOUBLE STANDARD PATTERN	\$1,988.00
	(Ship Weight 268 lbs.)	
6808245	4' X 8" CUP & CARBIDE TEETH IN DOUBLE STANDARD PATTERN	\$2,118.00
	(Ship Weight 278 lbs.)	
7209867	4' X 8" SHARK TOOTH/CUP TEETH, DOUBLE STANDARD PATTERN.....	\$1,330.00
7109030	5' X 6" CUP TEETH IN SINGLE STANDARD PATTERN	\$762.00
	(Ship Weight 155 lbs.)	

PART NUMBER	DEALER INSTALLED ACCESSORIES – ORDER FROM SALES	SLP IN US \$
-------------	--	--------------

LT414 TRENCHER (CONTINUED)

7109028	5' X 8" CUP TEETH IN SINGLE STANDARD PATTERN (Ship Weight 164 lbs.)	\$781.00
7109031	5' X 6" CUP TEETH IN DOUBLE STANDARD PATTERN..... (Ship Weight 182 lbs.)	\$942.00
7109029	5' X 6" SHARK TOOTH/CUP TEETH IN DOUBLE STANDARD PATTERN (Ship Weight 175 lbs.)	\$1,825.00
7109022	5' X 6" CUP & CARBIDE TEETH IN DOUBLE STANDARD PATTERN (Ship Weight 274 lbs.)	\$2,641.00
7109041	5' X 8" CUP & CARBIDE TEETH IN DOUBLE STANDARD PATTERN (Ship Weight 292 lbs.)	\$2,348.00

PART NUMBER	DEALER INSTALLED ACCESSORIES – ORDER FROM PARTS
-------------	--

For current Dealer Installed Accessories pricing, reference BobQuote or Dealer Parts Department.

6811684	BOOM GUIDE ASSEMBLY..... PARTS (Needed for 5' dig depth) (Must also order (2) ¾" bolts # 84G3712 and additional 1' chain from Bobcat Parts)	\$ _____
6809387	CARBIDE TOOTH KIT PARTS (Ship Weight –160 lbs.)	\$ _____
6807925	CUP TOOTH KIT PARTS (Ship Weight 24 lbs.)	\$ _____
6675594	DOUBLE STANDARD CHAIN – 4' PARTS (No teeth) (Ship Weight 147 lbs.)	\$ _____
7108604	DOUBLE STANDARD CHAIN – 84P PARTS	\$ _____
7110911	SPACER KIT PARTS (Used with Cup Teeth for 8" width) (Ship Weight 12 lbs.)	\$ _____
7110912	SPACER KIT PARTS (Used with Cup Teeth for 10" width) (Ship Weight 26 lbs.)	\$ _____
7110913	SPACER KIT PARTS (Used with Cup/Carbide Teeth for 12" widths) (Ship Weight 36 lbs.)	\$ _____
6806975	TRENCH CLEANER ADAPTER, 8" PARTS (Used with Trench Cleaner Kit) (Ship Weight 5 lbs.)	\$ _____
6806976	TRENCH CLEANER ADAPTER, 10" PARTS (Used with Trench Cleaner Kit) (Ship Weight 7 lbs.)	\$ _____
6806977	TRENCH CLEANER ADAPTER, 12" PARTS (Used with Trench Cleaner Kit) (Ship Weight 8 lbs.)	\$ _____

PART NUMBER	LT405 TRENCHER ATTACHMENT	SLP IN US \$
-------------	----------------------------------	--------------

(S185H, S205H) (S550H, S570H, S590H, S595H, S630H, S650H, S740H, S750H, S770H) (S62H, S64H, S66H, S76H)
 (A770H) (T180H, T190H) (T550H, T590H, T595H, T630H, T650H, T740H, T750H, T770H)
 (T62H, T64H, T66H, T76H)

6906100 LT405 TRENCHER..... \$11,294.00
 (Includes 3' – 4' adjustable boom setup at 4', double standard ABF chain, Hydraulic Sideshift, 6" trench cleaner, hoses and couplers) (Must also order teeth)

LT405 Chain, Tooth and Spacer Configurations

<u>Width</u>	<u>Depth</u>	<u>Kits Needed for Single Standard Pattern</u>
6"	3', 4', 5'	1 Cup Tooth Kit
6" Carbide	3', 4', 5'	1 Carbide Tooth Kit
8" or 12"	3' or 4'	1 Cup Tooth Kit, 1 Spacer Kit

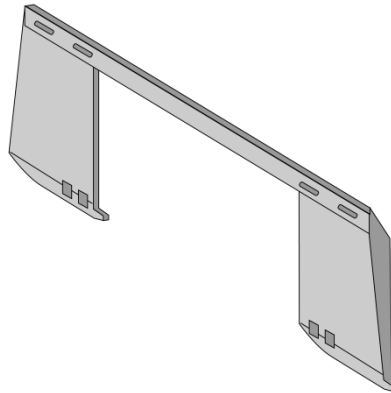
PART NUMBER	DEALER INSTALLED ACCESSORIES – ORDER FROM PARTS
-------------	--

For current Dealer Installed Accessories pricing, reference BobQuote or Dealer Parts Department.

6705673	BOOM GUIDE ASSEMBLY.....	PARTS	\$	
	(Needed for 5' dig depth) (Ship Weight 48 lbs.)			
6705668	CUP TOOTH KIT.....	PARTS	\$	
	(Ship Weight 75 lbs.)			
6705670	CARBIDE TOOTH KIT, SIDE MOUNT.....	PARTS	\$	
	(Ship Weight 105 lbs.)			
6653314	DOUBLE STANDARD ABF CHAIN EXTENSION.....	PARTS	\$	
	(For additional 1' dig depth) (Ship Weight 26 lbs.)			
Piece Parts	DUAL 29" REPLACEMENT AUGER SET.....			
	(Ship Weight 146 lbs.)			
6664975	SINGLE STANDARD ABF CHAIN, 3'.....	PARTS	\$	
	(No teeth) (Ship Weight 105 lbs.)			
6651879	SINGLE STANDARD ABF CHAIN EXTENSION.....	PARTS	\$	
	(For additional 1' dig depth) (Ship Weight 20 lbs.)			
6705669	SPACER KIT.....	PARTS	\$	
	(Ship Weight 138 lbs.)			
6573592	TRENCH CLEANER ADAPTER, 8".....	PARTS	\$	
	(Ship Weight 5 lbs.)			
6573589	TRENCH CLEANER ADAPTER, 12".....	PARTS	\$	
	(Ship Weight 10 lbs.)			

DESTINATION CHARGE/FUEL SURCHARGE
 Refer to BobQuote or BobcatNET>>Other Resources>>Pricing Homepage for current Destination and Fuel Charges.

ATTACHMENT	ASSEMBLY REQUIRED	INSTALLATION TIME (HOURS)
LT112	None.....	-
LT113.....	None.....	-
LT213.....	None.....	-
LT313.....	None.....	-
LT414.....	None.....	-
LT405.....	Install teeth.....	1.5
Chain Guide Kit.....	Install chain guide for 5' depth.....	0.5
Side Shift Kit for LT213 & LT313	Install cylinder	1.5



QUICK SPECS

	<u>S100 – S650</u>	<u>S630-T870</u>
Ship Weight.....	46 lbs.	60 lbs.
Overall Width.....	45.2"	45.2"
Overall Height.....	19.0"	19.0"

PART NUMBER	ATTACHMENT DESCRIPTION	SLP IN US \$
-------------	------------------------	--------------

For current Attachment pricing, reference BobQuote or Dealer Parts Department.

(S100, S130, S150, S160, S175, S185, S205) (S450, S510, S530, S550, S570, S590, S595, S630, S650)
 (S62, S64, S66, S76)(T110, T140, T180, T190) (T450, T550, T590, T595) (T62, T64, T66)

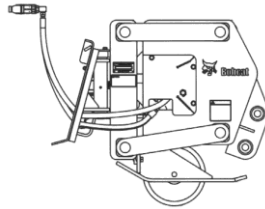
6731114 BOB –TACH UTILITY FRAME..... PARTS \$__
 (To CONVERT ATTACHMENTS TO BOB-TACH MOUNT, WELD TO FLAT SURFACE)

(S630, S650, S740, S750, S770, S850)(S76) (A770) (T630, T650, T740, T750, T770, T870)(T76)
 6731112 BOB –TACH UTILITY FRAME..... PARTS \$__
 (To convert Attachments to Bob-Tach Mount, weld to flat surface)

DESTINATION CHARGE/FUEL SURCHARGE
 Refer to BobQuote or BobcatNET>>Other Resources>>Pricing Homepage for current Destination and Fuel Charges.

ATTACHMENT	ASSEMBLY REQUIRED	INSTALLATION TIME (HOURS)
------------	-------------------	---------------------------

Utility FrameNone..... -



QUICK SPECS

Operating Weight..... 520 lbs.
 Overall Width..... 36.0"
 Overall Height..... 31.1"
 Overall Length 36.6"
 Hydraulic Flow Range 10-14 gpm

PART NUMBER	ATTACHMENT DESCRIPTION	SLP IN US \$
-------------	------------------------	--------------

(MT50, MT52, MT55, MT85, MT100)(L23,L28)

7100484	VP12 VIBRATORY PLOW (Includes blade mounting pins) (Must also order blade)	\$8,852.00
7100491	3/8" BLADE, 6-12" DEPTH WITH 1" CLEVIS (0.375 inches thick) (The blade is used to pull the cable pull, pipe pull, or bullet option) (Recommended for soft/loose soils only)	\$210.00
7100493	3/8" BLADE, 12-18" DEPTH WITH 1" CLEVIS (0.375 inches thick) (The blade is used to pull the cable pull, pipe pull, or bullet option) (Recommended for soft/loose soils only)	\$227.00
7100495	1/2" CHUTE BLADE, 6-12" DEPTH (0.5 inches thick) (The blade with chute is used for laying cables. Feed the cable through the opening in the top of the chute and out the bottom of the blade. The cable can be either positioned on the ground next to where it will be buried or a spool of cable can be put on the reel mount) (Recommended for soft/loose soils only)	\$356.00
7100497	1/2" CHUTE BLADE, 12-18" DEPTH (0.5 inches thick) (The blade with chute is used for laying cables. Feed the cable through the opening in the top of the chute and out the bottom of the blade. The cable can be either positioned on the ground next to where it will be buried or a spool of cable can be put on the reel mount) (Recommended for soft/loose soils only)	\$383.00

PART NUMBER	DEALER INSTALLED ACCESSORIES – ORDER FROM PARTS DESCRIPTION
-------------	---

For current Dealer Installed Accessories pricing, reference BobQuote or Dealer Parts Department.

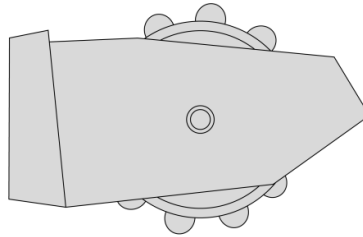
7100592	BULLET, 2" PARTS \$ _____ (THIS OPTION IS USED TO CREATE A 51MM (2 INCH) DIAMETER HOLE AS IT IS PULLED BEHIND THE BLADE. A CABLE CAN BE WRAPPED THROUGH THE CLEVIS PIN AND SECURED TO PULL THE CABLE INTO THE HOLE CREATED BY THE BULLET)	
7102514	CABLE PULL KIT, 0.50-0.99" DIAMETER PARTS \$ _____ (INCLUDES 20 IN. GRIP LENGTH, 1 ROTATING EYE) (WHEN USING, COMPRESS THE CABLE SHIELD AND INSERT THE CABLE INSIDE THE SHIELD FULLY. AS THE CABLE SHIELD STRETCHES, IT BECOMES SNUG AROUND THE CABLE)	

- 7100498 CABLE PULL KIT, 1.00-1.24" DIAMETER PARTS \$_____**
 (INCLUDES 20 IN. GRIP LENGTH, 1 ROTATING EYE)
 (WHEN USING, COMPRESS THE CABLE SHIELD AND INSERT THE CABLE INSIDE THE SHIELD FULLY.
 AS THE CABLE SHIELD STRETCHES, IT BECOMES SNUG AROUND THE CABLE)
- 7102515 CABLE PULL KIT, 1.25-1.49" DIAMETER PARTS \$_____**
 (INCLUDES 20 IN. GRIP LENGTH, 1 ROTATING EYE)
 (WHEN USING, COMPRESS THE CABLE SHIELD AND INSERT THE CABLE INSIDE THE SHIELD FULLY.
 AS THE CABLE SHIELD STRETCHES, IT BECOMES SNUG AROUND THE CABLE)
- 7100499 PIPE PULL KIT, 1.00-1.50" PIPE PARTS \$_____**
 (0.375 Inches) (When used, insert the plastic pipe over the tapered sleeve. By hand,
 Thread the tapered sleeve into the pipe)
- 7100501 CABLE REEL MOUNT KIT PARTS \$_____**
 (Accepts up to 12" diameter reel) (Use with Chute Blades, Used to hold one or two cable
 Spools to feed the cable into the chute blade)

DESTINATION CHARGE/FUEL SURCHARGE
 Refer to BobQuote or BobcatNET>>Other Resources>>Pricing Homepage for current Destination and Fuel Charges.

	ASSEMBLY REQUIRED	INSTALLATION
ATTACHMENT		TIME (HOURS)

Vibratory Plow.....	Attach Blade	-
---------------------	--------------------	---



QUICK SPECS

	<u>48"</u>	<u>73"</u>	<u>80"</u>
Operating Weight (Padded/Smooth).....	1778 lbs./1788 lbs.	2189 lbs./2208 lbs.	2320 lbs.
Drum Width.....	48"	73"	80"
Overall Width	60.5"	79.0"	86.0"
Drum Offset.....	9" to right	Centered	Centered
Covers Right Side Tires on.....	66" wide loaders	72" wide loaders	80" wide loaders
Drum Diameter (Padded/Smooth)	25.4"/26.0"	25.4"/26.0"	26.0"
Number of Pads (Padded Drum).....	78	102	0
Drum Oscillation	± 12°	± 7.5°	± 7.5°
Dynamic Force	10519 lbs. @ 17 gpm 14244 lbs. @ 20 gpm	9905 lbs. @ 20 gpm 14263 lbs. @ 24 gpm	
Frequency	2448 vpm @ 17 gpm 2879 vpm @ 20 gpm	2401 vpm @ 20 gpm 2882 vpm @ 24 gpm	

PART NUMBER	ATTACHMENT DESCRIPTION	SLP IN US \$
-------------	------------------------	--------------

(S130*, S150, S160, S175, S185, S205) (S450, S510, S530, S550, S570, S590, S595) (S62, S64, S66) (T140, T180, T190) (T450, T550, T590, T595) (T62, T64, T66)

7165403 48" VIBRATORY ROLLER WITH PADDED DRUM \$9,035.00
 7165404 48" VIBRATORY ROLLER WITH SMOOTH DRUM \$8,930.00

(S205) (S550, S570, S590, S595, S630, S650, S740, S750, S770, S850) (S64, S66, S76) (A770) (T550, T590, T595, T630, T650, T740, T750, T770, T870) (T62, T64, T66, T76)

7165401 73" VIBRATORY ROLLER WITH PADDED DRUM \$10,492.00
 7165402 73" VIBRATORY ROLLER WITH SMOOTH DRUM \$10,206.00

(S650, S740, S750, S770, S850) (S76) (A770) (T630, T650, T740, T750, T770, T870) (T76)

7165400 80" VIBRATORY ROLLER WITH SMOOTH DRUM \$11,057.00

PART NUMBER	DEALER INSTALLED ACCESSORIES – ORDER FROM SALES DESCRIPTION	SLP IN US \$
-------------	---	--------------

Water Kit

NOTE: Water Kits are available for use with the Vibratory Roller attachments – see Water Kit page for details.

DESTINATION CHARGE/FUEL SURCHARGE
Refer to BobQuote or BobcatNET>>Other Resources>>Pricing Homepage for current Destination and Fuel Charges.

ATTACHMENT	ASSEMBLY REQUIRED	INSTALLATION TIME (HOURS)
Vibratory Roller	None.....	-



QUICK SPECS

Operating Weight (Empty)..... 165 lbs.
 Operating Weight (Full)..... 474 lbs.
 Tank Capacity (Each Tank) 14 gal
 Flow Rate per Nozzle..... 0.28 GPM maximum

PART NUMBER	ATTACHMENT DESCRIPTION	SLP IN US \$
-------------	------------------------	--------------

(S130, S150, S160, S175, S185, S205) (S510, S530, S550, S570, S590, S595, S630, S650, S740, S750, S770, S850) (S76)(A770) (T140, T180, T190) (T450, T550, T590, T595, T630, T650, T740, T750, T770, T870)

6813816 **QUICK-TACH WATER KIT PARTS** PARTS \$ _____
 (Must also order mounting kit and Nozzle Kit P/N 7113709 or 7113092)

PART NUMBER	DEALER INSTALLED ACCESSORIES – ORDER FROM SALES DESCRIPTION	SLP IN US \$
-------------	---	--------------

7113709 **NOZZLE KIT** PARTS \$ _____
 (Includes 4 nozzles) (This kit is used with all Water Kits and may be used on Angle Brooms, Sweepers, 14" to 24" Planers only, and Vibratory Rollers) (Ship Weight 5 lbs.)

7113092 **NOZZLE KIT FOR 40" PLANER** PARTS \$ _____
 (Includes 4 nozzles) (This kit is used with all Water Kits and 40" Planers only) (Ship Weight 5 lbs.)

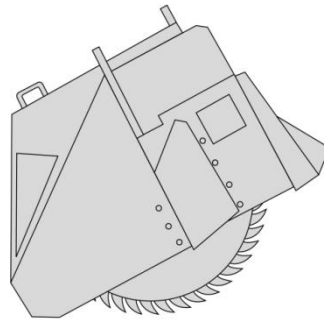
7362487 **NOZZLE KIT; NB BREAKERS (NB150, NB160, NB170, NB180)** PARTS \$ _____
 (Includes nozzles, and required hardware) (This kit is used with NB breakers only) (Ship Weight 7 lbs.)

(S510, S530, S550, S570, S590, S595, S630, S650) (T550, T590, T595, T630, T650)
7152508 **MOUNTING KIT** \$465.00
 (Approved for use with M-Series Loaders to mount Quick-Tach Stabilizer and Quick-Tach Water Kit) (Ship weight 120 lbs.)

(S740, S750, S770, S850) (A770) (T750, T770, T870)
7152512 **MOUNTING KIT** \$465.00
 (Approved for use with M-Series Loaders to mount Quick-Tach Stabilizer and Quick-Tach Water Kit) (Ship weight 90 lbs.)

DESTINATION CHARGE/FUEL SURCHARGE
 Refer to BobQuote or BobcatNET>>Other Resources>>Pricing Homepage for current Destination and Fuel Charges.

ATTACHMENT	ASSEMBLY REQUIRED	INSTALLATION TIME (HOURS)
Water Kit	Install water kit mounts, toggle switch and plumbing	3.0
Nozzle Kit	Install nozzles, hoses and clamps	1.0



QUICK SPECS

	<u>WS18</u>	<u>WS24</u>
Overall Width	68.5"	68.5"
Overall Length.....	74.8"	83.9"
Overall Height	65.0"	76.0"
Weight (less Wheel and Trench Cleaner).....	1567 lbs.	1865 lbs.
Hydraulic Side Shift	25.6"	25.6"
Hydraulic Flow Required	25-40 GPM	25-40 GPM
Trenching Depth.....	6.0 – 18.0"	8.0 – 24.0"

PART NUMBER	ATTACHMENT DESCRIPTION	SLP IN US \$
----------------	---------------------------	--------------

18" Wheel Saw with 3" Wheel

(Must order the two part numbers listed below—18" Wheel Saw and 3" Wheel)
 (Must also order Attachment Control Kit—See Page 1)

(S185H, S205H) (S590H, S595H, S630H, S650H, S740H, S750H, S770H, S850, S850H) (S76H) (A770H) (T180H, T190H) (T550H, T590H, T595H, T630H, T650H, T740H, T750H, T770H, T870, T870H) (T62H, T64H, T66H, T76H)		
6729537	WS18 WHEEL SAW	\$16,475.00
6729544	3" WHEEL..... (Weight 650 lbs. Wheel Width 3.13")	\$3,580.00

Note: There is no Trench Cleaner available with the 3" Wheel.

18" Wheel Saw with 6" Wheel and 6" Trench Cleaner

(Must order the three part numbers listed below—18" Wheel Saw, 6" Wheel and 6" Trench Cleaner)
 (Must also order Attachment Control Kit—See Page 1)

(S185H, S205H) (S590H, S595H, S630H, S650H, S740H, S750H, S770H, S850, S850H) (A770H) (T180H, T190H) (T550H, T590H, T595H, T630H, T650H, T740H, T750H, T770H, T870, T870H) (T62H, T64H, T66H, T76H)		
6729537	WS18 WHEEL SAW	\$16,475.00
6729546	6" WHEEL..... (Weight 395 lbs., Wheel Width 6.25")	\$3,850.00
6729550	6" TRENCH CLEANER	\$1,304.00
	(Weight 95 lbs.)	

PART NUMBER	ATTACHMENT DESCRIPTION	SLP IN US \$
----------------	---------------------------	--------------

24" Wheel Saw with 6" Wheel and 6" Trench Cleaner

(Must order the three part numbers listed below—24" Wheel Saw, 6" Wheel and 6" Trench Cleaner)
 (Must also order Attachment Control Kit—See Page 1)

(S650H, S740H, S750H, S770H, S850, S850H) (S76H) (A770H) (T650H, T740H, T750H, T770H, T870, T870H) (T76H)

6729566	WS24 WHEEL SAW	\$18,654.00
6729573	6" WHEEL..... (Weight 585 lbs., Wheel Width 6.25")	\$4,552.00
6729577	6" TRENCH CLEANER	\$1,495.00
	(Weight 130 lbs.)	

24" Wheel Saw with 8" Wheel and 8" Trench Cleaner

(Must order the three part numbers listed below—24" Wheel Saw, 8" Wheel and 8" Trench Cleaner)
 (Must also order Attachment Control Kit—See Page 1)

(S650H, S740H, S750H, S770H, S850, S850H) (S76H) (A770H) (T650H, T740H, T750H, T770H, T870, T870H) (T76H)

6729566	WS24 WHEEL SAW	\$18,654.00
6729575	8" WHEEL:..... (Weight 618 lbs., Wheel Width 7.88")	\$5,280.00
6729579	8" TRENCH CLEANER	\$1,600.00
	(Weight 148 lbs.)	

DESTINATION CHARGE/FUEL SURCHARGE
Refer to BobQuote or BobcatNET>>Other Resources>>Pricing Homepage for current Destination and Fuel Charges.

ATTACHMENT	ASSEMBLY REQUIRED	INSTALLATION TIME (HOURS)
------------	-------------------	------------------------------

Wheel Saw	None.....	-
-----------------	-----------	---

PART NUMBER	DESCRIPTION	ALLIED ATTACHMENT (CONT'D)
----------------	-------------	----------------------------

Obsolete Bobcat Attachments

(1600 Buckets)	DIRT, DIRT WITH TEETH, UTILITY, FERTILIZER BUCKETS	\$ _____
(2000 Buckets)	FERTILIZER BUCKETS.....	\$ _____
(2400 Series Buckets)	C/I, C/I WITH TEETH, LIGHT MATERIAL, FERTILIZER BUCKETS	\$ _____
(974, 975, 980 with Bob-Tach)	PALLET FORKS	\$ _____
(974, 975, 980 with Bob-Tach Buckets)	DIRT, DIRT WITH TEETH, UTILITY, LIGHT MATERIAL BUCKETS	\$ _____
(980 Pin-On Buckets)	DIRT, DIRT WITH TEETH, BARGE, LIGHT MATERIAL BUCKETS.....	\$ _____
(Backhoe Buckets)	907 TRENCHING BUCKET (12" – 24")	\$ _____
	909, 911, 911B TRENCHING BUCKETS (12" – 36")	\$ _____
	913, 914B TRENCHING BUCKETS (12" – 36").....	\$ _____
(450, 453)	UTILITY BLADE	\$ _____
(450 & 453 Bob-Tach Style and Pin-On Style Buckets)	DIRT, DIRT WITH TEETH, AND UTILITY BUCKETS.....	\$ _____
(943/953 Attachments)	DIRT, DIRT WITH TEETH, UTILITY, FERTILIZER, LIGHT MAT. BUCKETS .	\$ _____
	PALLET FORKS	\$ _____
	INDUSTRIAL GRAPPLES.....	\$ _____

Ray-Mac
 P.O. Box 457
 Gwinner, ND 58040-0457
 (701) 678-2452 or
 (800) 542-4416

Obsolete Grouser Attachments

Please contact Grouser Products directly for tracks for this (these) model(s). 800-747-6182

(Steel Tracks)

33 X 15.5 X 16.5 REPLACEMENT TRACKS.....	\$ _____
14 – 17.5 TRACK KIT W/WHEEL SPACER.....	\$ _____
10 X 16.5 TRACK KIT (873, S220, S250, S300)	\$ _____
10 X 16.5 TRACK KIT W/BOOM STOP (S130)	\$ _____
10 X 16.5 REPLACEMENT TRACKS (S130, 753)	\$ _____
12 X 16.5 REPLACEMENT TRACKS (873, 883, S250, S300)	\$ _____
33 X 15.5 X 16.5 TRACK KIT W/WHEEL SPACER (S220, S250, S300).....	\$ _____
12 X 16.5 TRACK KIT.....	\$ _____
100 X 165 TRACK KIT	\$ _____
12 X 16.5 TRACK KIT (205).....	\$ _____